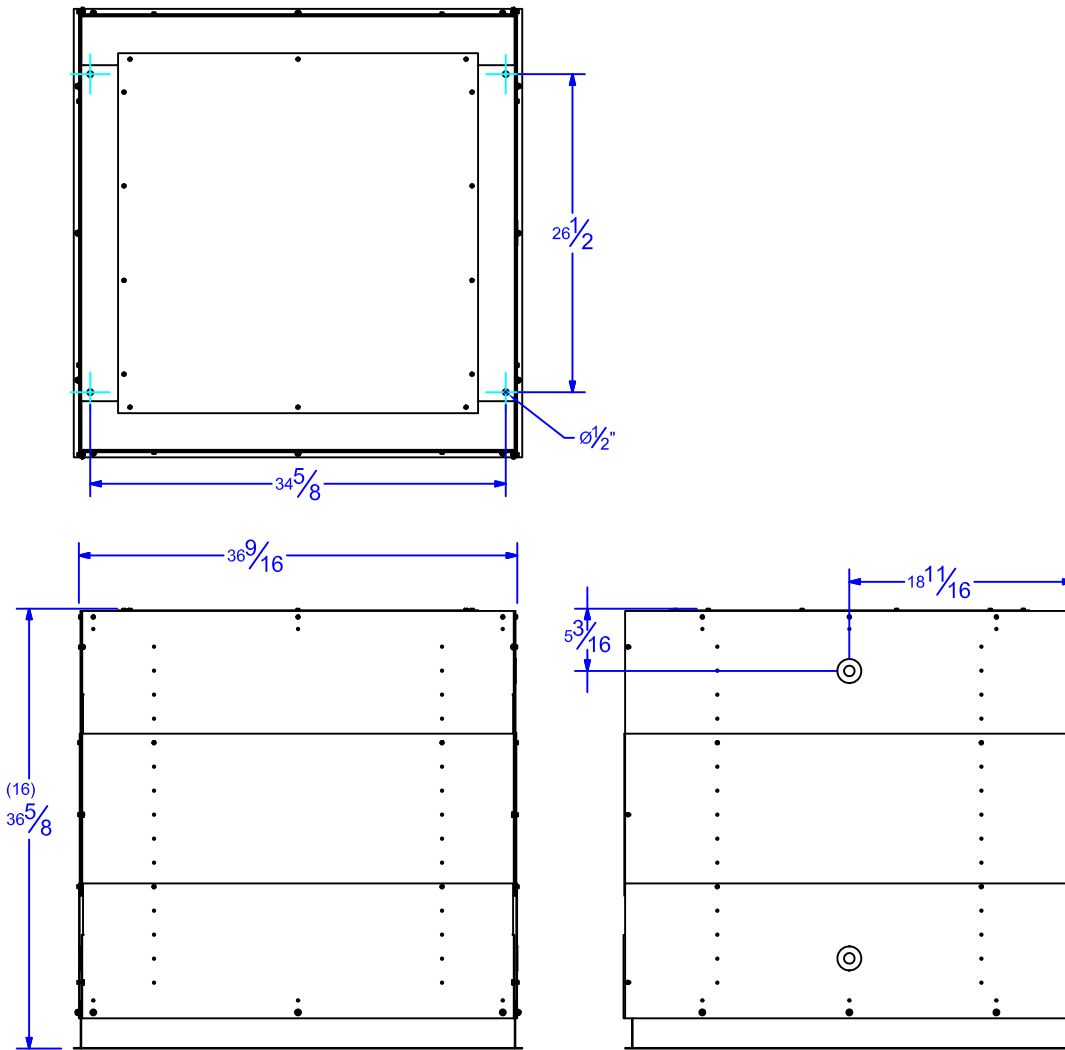
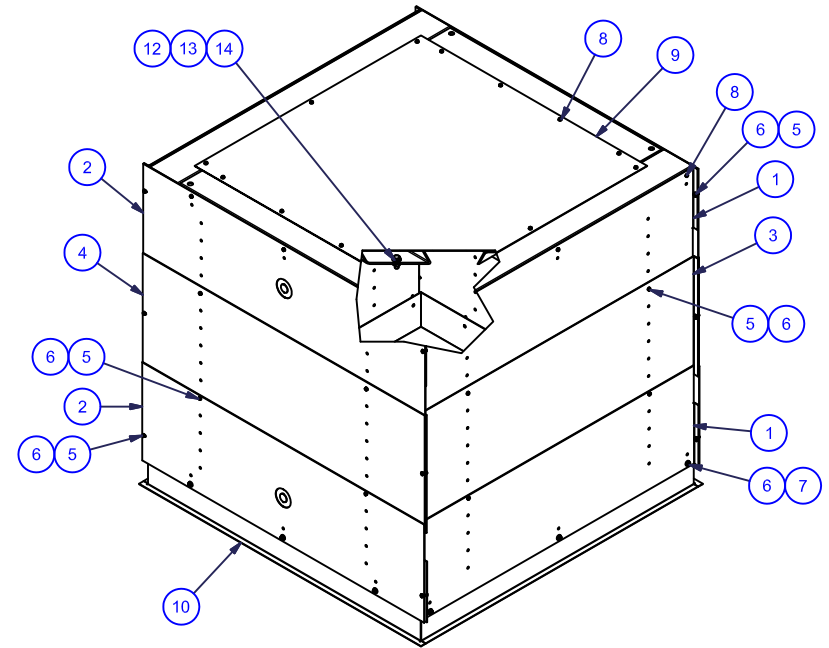
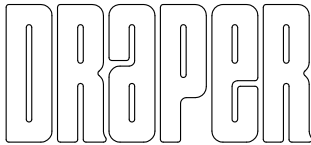


ITEM	QTY	PART NUMBER	DESCRIPTION
1	4	C044.203SA	Panel, U Plenum Side
2	4	C044.201SA	Panel, U Plenum End
3	2	C044.202SA	Panel, U Plenum Middle Side
4	2	C044.200SA	Panel, U Plenum Middle End
5	28	C020.325	SCREW, 8-32X3/8 TYPE 1 HWH
6	40	C018.051	NUT #8-32 ZINC HEX KEPS
7	12	C013.070	Washer, .188 I.D. x .5 O.D. x .07 TK Nylon Flat
8	26	C020.112	SCREW, 8-32X3/8 TYPE F HWH
9	1	C095.132SA	Cover, U Plenum
10	1	C028.614.07SA	FRAME, U TRIM RING
11	1	C028.613.01SA	FRAME, U PLENUM
12	4	C018.044	NUT 3/8-16 ZINC HEX KEPS
13	4	C013.024	WASHER, 3/8" FLAT
14	4	C020.313	SCREW 3/8-16x1" GR 5 ZINC HEX HEAD CAP



NOTES:  
1. COMPRESSED HEIGHT = 16 in.



		DRAPER Inc. 411 S. Pearl St. Spiceland, Indiana	
		Title U Environmental Air Space	
		Sheet 1 of 1	
Scale 3/4" = 1'	Date 7/9/2012	Part NO. 300283	