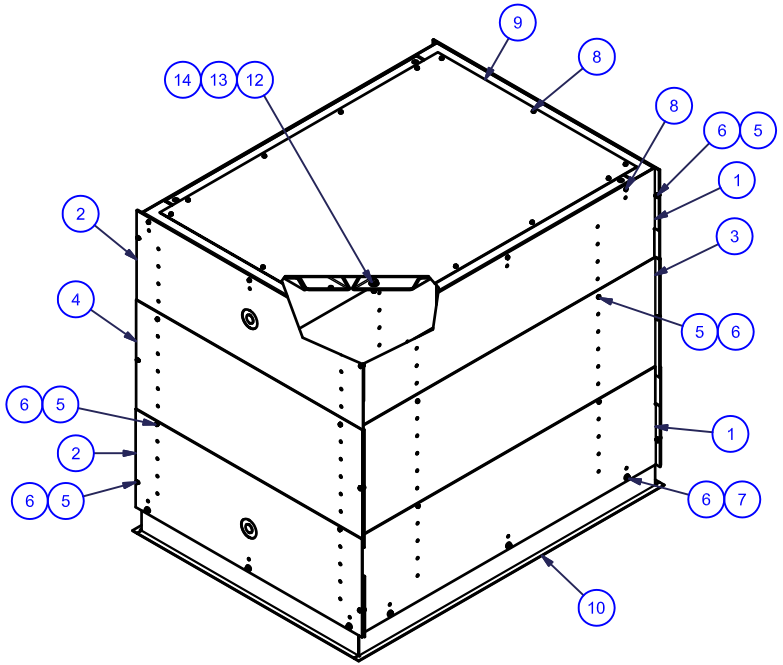
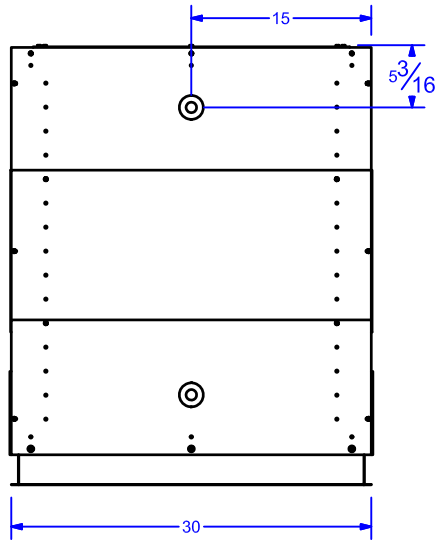
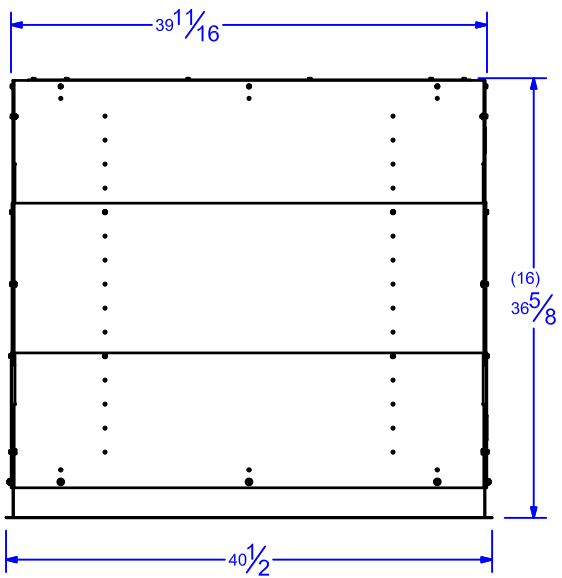
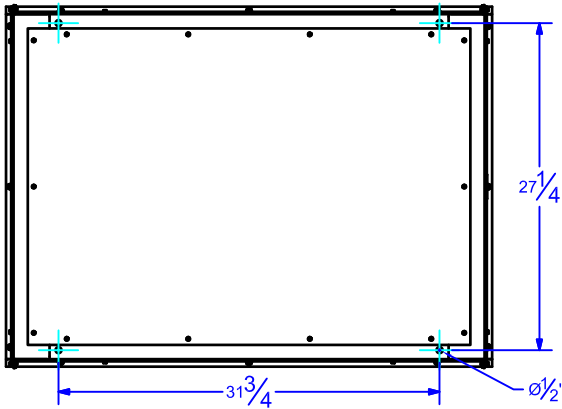


ITEM	QTY	PART NUMBER	DESCRIPTION
1	4	C044.198SA	Panel, E Plenum Side
2	4	C044.196SA	Panel, E Plenum End
3	2	C044.197SA	Panel, E Plenum Middle Side
4	2	C044.195SA	Panel, E Plenum Middle End
5	28	C020.325	SCREW, 8-32X3/8 TYPE 1 HWH
6	40	C018.051	NUT #8-32 ZINC HEX KEPS
7	12	C013.070	Washer, .188 I.D. x .5 O.D. x .07 TK Nylon Flat
8	26	C020.112	SCREW, 8-32X3/8 TYPE F HWH
9	1	C095.131SA	Cover, E Plenum Top
10	1	C028.612.07SA	FRAME, E TRIM RING
11	1	C028.611.01SA	Frame, E Plenum Top
12	4	C020.313	SCREW 3/8-16x1" GR 5 ZINC HEX HEAD CAP
13	4	C013.024	WASHER, 3/8" FLAT
14	4	C018.044	NUT 3/8-16 ZINC HEX KEPS



NOTES:
1. COMPRESSED HEIGHT = 16 in.

DRAPER		DRAPER Inc. 411 S. Pearl St. Spiceland, Indiana
Title E Environmental Air Space		
		Sheet 1 of 1
Scale 3/4"=1'	Date 7/6/2012	Part NO. 300281