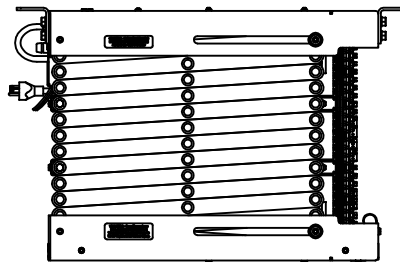
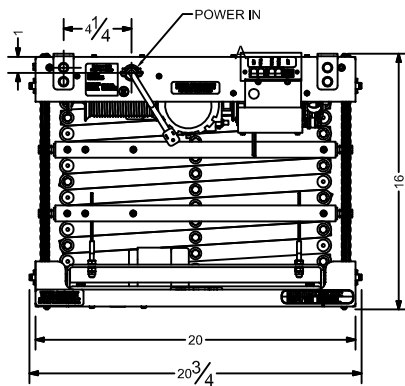
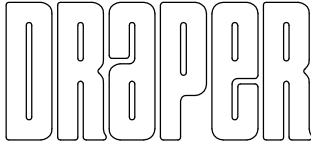


DETAIL A



NOTES:
 110 VOLT LIFT PN 300278
 220 VOLT LIFT PN 300279
 EXTENDED HEIGHT 160 1/8 IN.

		DRAPER Inc. 411 S. Pearl St. Spiceland, Indiana	
		Title SL 12 Scissor Lift	
		Sheet 1 of 1	
Scale 1"=1'	Date 7/9/2012	Part NO.	