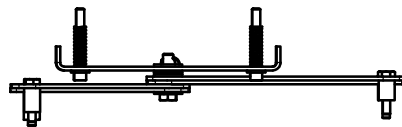
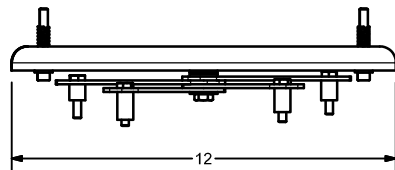
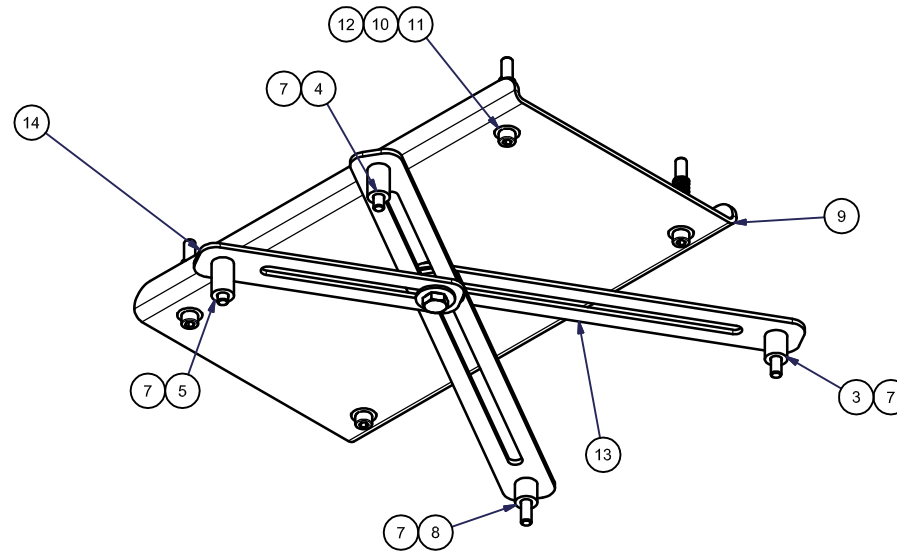
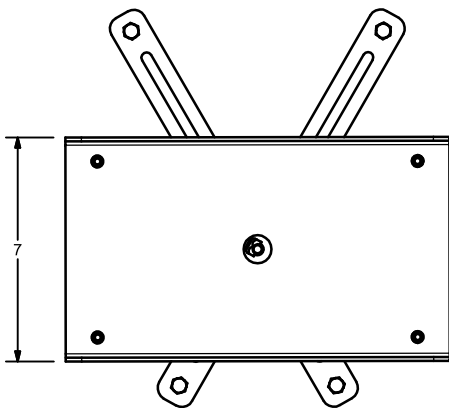
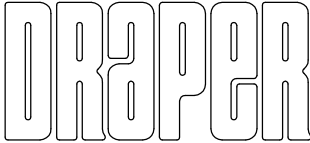


ITEM	QTY	PART NUMBER	DESCRIPTION
1	1	C020.282	SCREW 5/16-18X1-1/4" HEX HD CAP ZINC
2	5	C013.050	Washer .375 I.D. x .875 O.D. x .064"TK GRD 2 Zinc Flat
3	1	C011.079	SPACER, .50" O.D. X .257" I.D. X .625" LONG NYLON
4	1	C011.080	SPACER, .50" O.D. X .257" I.D. X .750" LONG NYLON
5	1	C011.081	SPACER, .50" O.D. X .257" I.D. X .875" LONG NYLON
6	1	C018.015	NUT, 5/16-18 NYLON INSERTED ZINC LOCK
7	4	C020.472	Screw, M6 x 1 x 30mm Long Hex Hd CAP ZINC
8	1	C011.082	SPACER, .50" O.D. X .257" I.D. X .50" LONG NYLON
9	1	C010.347.01SA	Plate, Black Projector Mounting
10	4	C020.138	Screw, 1/4-20 x 2" Long SHC
11	4	C013.012	WASHER .255"ID X .562"OD X .06"TK GR2 ZINC FLAT
12	4	C005.063	Spring, Compression .349" OD X 1.496" LNG X .049" THK
13	2	C023.030.01SA	ARM, BLACK SLOTTED LONG
14	2	C023.031.01SA	ARM, BLACK SLOTTED SHORT
15	4	C020.469	Screw, M3 X .5 X 30mm Long Hex Hd Cap Zinc
16	4	C020.470	Screw, M4 X .7 X 30mm Long Hex Hd Cap Zinc
17	4	C020.471	Screw, M5 X .8 X 30mm Long Hex Hd Cap Zinc



NOTES:  
1. ITEMS 15 -17 NOT SHOWN.

		DRAPER Inc. 411 S. Pearl St. Spiceland, Indiana	
		Title AeroLift Adjustable Projector Mount	
		Sheet 1 of 1	
Scale 2"=1'	Date 7/6/2012	Part NO. 300215	