

Access Door for Acoustical Tile Ceilings

Caution

- ① Read instructions completely before proceeding.
- ② Before installing, check to make sure all parts are there.
- ③ Hardware for mounting to building structure not included. It is the responsibility of the installer to ensure hardware used is appropriate to installation requirements.
- ④ Install access panel to allow ready access to lift or mount above ceiling.
- ⑤ Do not use access panel to bear any weight other than ceiling finish materials.

Installation

- ① Install framing channels secured to two main runner channels, as required (see Fig. 1 for example).

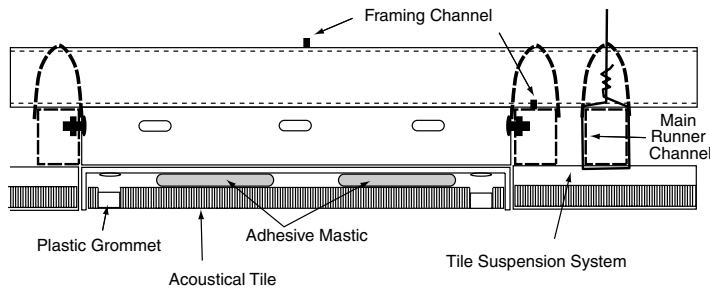


Figure 1

- ② Hold door so bottom of hinge is even with ceiling tile surface, and determine vertical location for bolt holes in framing channels opposite slots in door frame. Bolt channels to frame.
- ③ Place door in position, aligned with the rows of tile, and secure the framing channels to the main runners. Installation of door is now completed (see Fig. 2) and tile may be installed in the area surrounding the door.

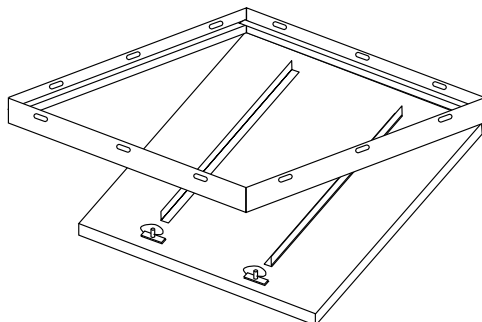


Figure 2

- ④ Measure inside bottom of door to determine size of ceiling tile required. Trim small portion of edges off of tiles to be applied to door panel so they will fit within door frame without binding. Bevel front edge back toward bottom of tile sufficiently to provide clearance as door is opened.
- ⑤ Saw or drill proper size holes in tile to permit screwdriver operation of cam locks. To protect tile during cam lock operation, insert grommet furnished with door. Anchor grommet in place with adhesive mastic.
- ⑥ Fasten tile to door panel with adhesive mastic (see Fig. 1 and Fig. 3). Depth of mastic will vary to align different thicknesses of tile with the plane of the surrounding surface.

If you encounter any difficulty installing or servicing your Access Door for Acoustical Tile Ceilings, call your dealer or Draper, Inc., Spiceland, Indiana, (765) 987-7999; fax (765) 987-7142; or email draper@draperinc.com.

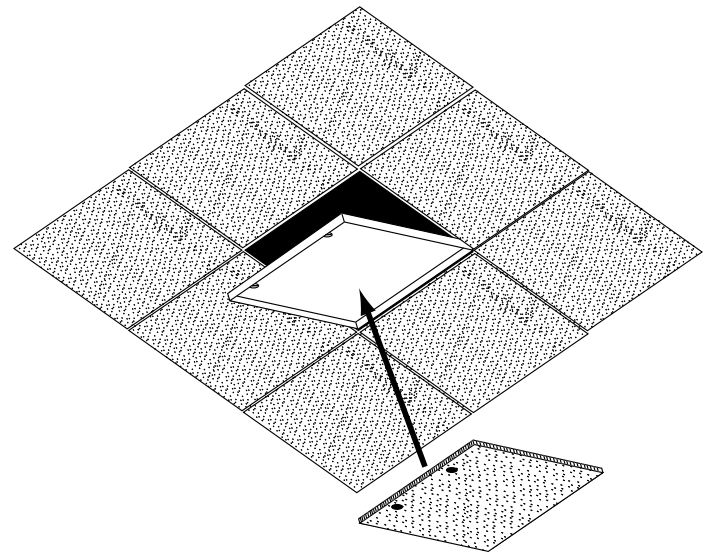


Figure 3

Please Note: Try to locate the Access Panel as close to recessed lifts and mounts as possible (see Fig. 4).

- ⑦ Door opens freely when unlocked. To secure door, use screwdriver to operate cam lock (see Fig. 4). The slot in the head of the cam lock stud is at right angles with the engaging door frame member when in locked position.

Please Note: You may have to "force" the cams at first, to break them loose from dried paint inside door.

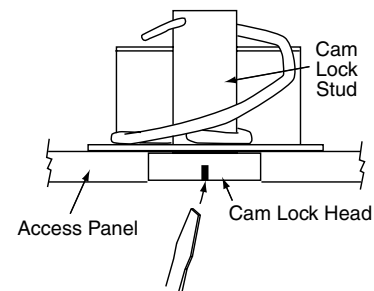
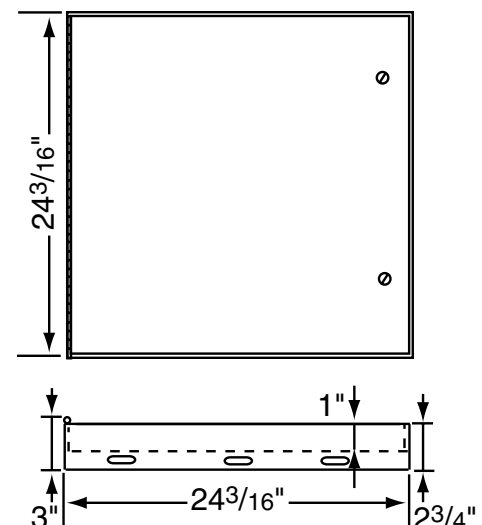


Figure 4

Dimensions



If you have any difficulties installing or servicing your Lift, call your dealer or Draper, Inc.