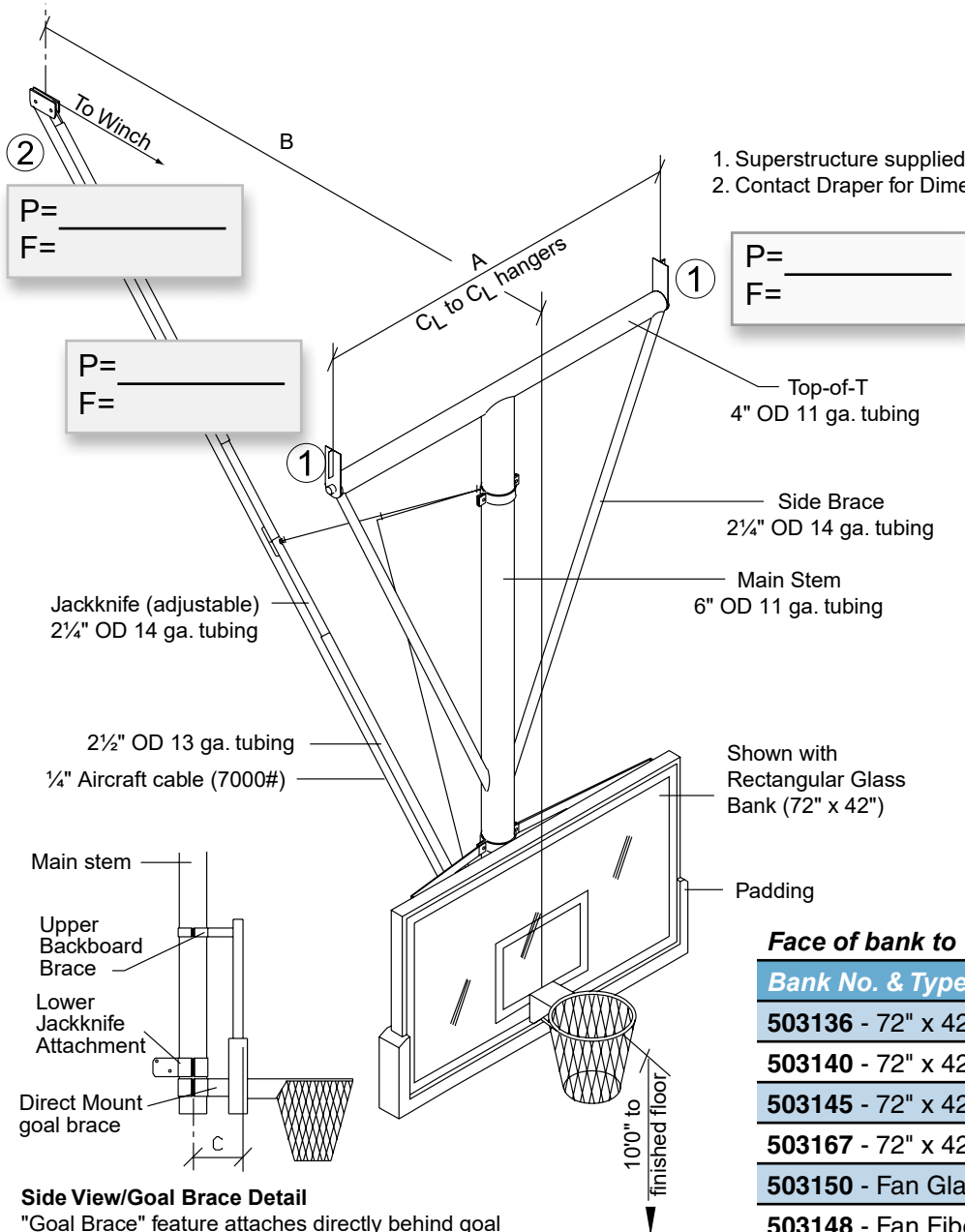


EZ Fold® TB-25

Basketball Backstop— Ceiling-Suspended, Rear-Folding - with Rear Brace

POINT LOAD DIAGRAM



Face of bank to CL of stem

Bank No. & Type	Dim D
503136 - 72" x 42" Rectangular Glass	11 1/4"
503140 - 72" x 42" Rectangular Wood	10 9/16"
503145 - 72" x 42" Rect. Fiberglass	10 1/2"
503167 - 72" x 42" Rectangular Steel	10 1/2"
503150 - Fan Glass	11"
503148 - Fan Fiberglass	10 1/2"
503143 - Fan Aluminum	10 3/16"

Side View/Goal Brace Detail

"Goal Brace" feature attaches directly behind goal mounting plate and directly to main stem of backstop, which eliminates strain on backboards.

Estimated Height: _____ Estimated Weight: _____ lbs. *

ESTIMATED POINT LOADS

Playing Position (P): Weight x .40 (2 points) _____ .20 _____

Folding Position (F): (Weight - 750) x .25 (2 Points) _____ .50 _____

A

B

C

Attachment Dimensions: _____

***Includes allowance for players hanging on the rim.**

EZ-Fold TB-25 Basketball Backstop

Weight*

Height	Structure Spacing						
	4'	8'	12'	16'	20'	24'	28'
17'	1893	1953	2013	2073	2133	2333	2393
18'	1900	1960	2020	2080	2140	2340	2400
19'	1940	2000	2060	2120	2180	2380	2440
20'	1980	2040	2100	2160	2220	2420	2490
21'	2020	2080	2140	2200	2260	2460	2530
22'	2070	2120	2180	2240	2300	2500	2570
23'	2110	2160	2220	2280	2340	2540	2600
24'	2150	2210	2270	2330	2390	2580	2640
25'	2190	2250	2310	2370	2430	2620	2680
26'	2240	2290	2350	2410	2470	2660	2720
27'	2280	2330	2390	2450	2510	2700	2760
28'	2320	2380	2440	2500	2560	2740	2800
29'	2360	2420	2480	2540	2600	2780	2840
30'	2410	2460	2520	2580	2640	2820	2880
31'	2450	2500	2560	2620	2680	2860	2920
32'	2500	2550	2610	2670	2730	2900	2960
33'	2550	2590	2650	2710	2770	2940	3000
34'	2590	2630	2690	2750	2810	2980	3040
35'	2640	2670	2730	2790	2850	3020	3070
36'	2680	2720	2780	2840	2900	3060	3100
37'	2730	2760	2820	2880	2940	3100	3140
38'	2780	2800	2860	2920	2980	3140	3180
39'	2820	2840	2900	2960	3010	3180	3220
40'	2860	2900	2940	2990	3040	3220	3260

* Assumes, Electric Winch, Safety Strap, Glass Backboard, Height Adjuster and Breakaway Goal.
Also includes 750 Lbs. for added load due to playing conditions and for a safety factor

A-B Dimensions

Ceiling Height	TB-25		TB-25-B	
	A	B	A	B
17' to 18'	5'-1"	6'-7"±	N/A	N/A
18' to 19'	5'-1"	7'-7"±	N/A	N/A
19' to 20'	5'-1"	8'-7"±	N/A	N/A
20' to 21'	5'-1"	9'-7"±	N/A	N/A
21' to 22'	5'-1"	10'-7"±	N/A	N/A
22' to 23'	5'-1"	11'-7"±	N/A	N/A
23' to 24'	7'-1"	12'-7"±	N/A	N/A
24' to 25'	7'-1"	13'-7"±	N/A	N/A
25' to 26'	7'-1"	14'-7"±	N/A	N/A
26' to 27'	7'-1"	15'-8"	N/A	N/A
27' to 28'	7'-1"	16'-8"	N/A	N/A
28' to 29'	N/A	N/A	10'-1"	17'-8"±
29' to 30'	N/A	N/A	10'-1"	18'-8"±
30' to 31'	N/A	N/A	12'-1"	19'-8"±
31' to 32'	N/A	N/A	12'-1"	20'-8"±
32' to 33'	N/A	N/A	14'-1"	21'-8"±
33' to 34'	N/A	N/A	14'-1"	22'-8"±
34' to 35'	N/A	N/A	14'-1"	23'-8"±
35' to 36'	N/A	N/A	14'-1"	24'-8"±
36' to 37'	N/A	N/A	16'-1"	25'-8"±
37' to 38'	N/A	N/A	16'-1"	26'-8"±
38' to 39'	N/A	N/A	16'-1"	27'-8"±
39' to 40'	N/A	N/A	16'-1"	28'-8"±