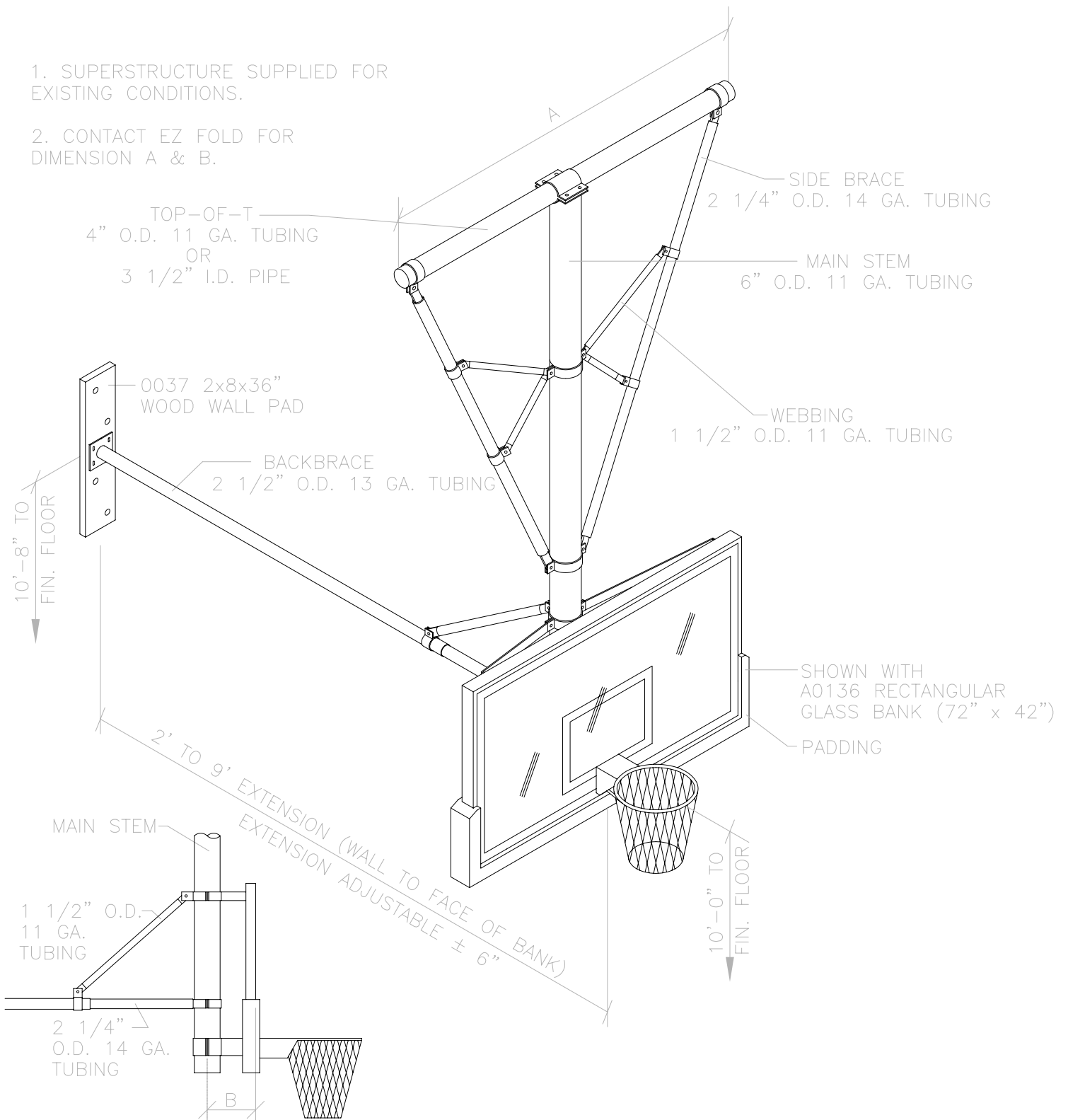


1. SUPERSTRUCTURE SUPPLIED FOR EXISTING CONDITIONS.

2. CONTACT EZ FOLD FOR DIMENSION A & B.



DRAPER

TS-22-B EZ Fold Backstop
Ceiling-Suspended, Stationary, Wall-Braced

DRAPER, Inc., 411 S. Pearl Street, Spiceland, Indiana 47385
EMAIL drapercontract@draperinc.com, PH 765-987-7999, FAX 866-637-5611