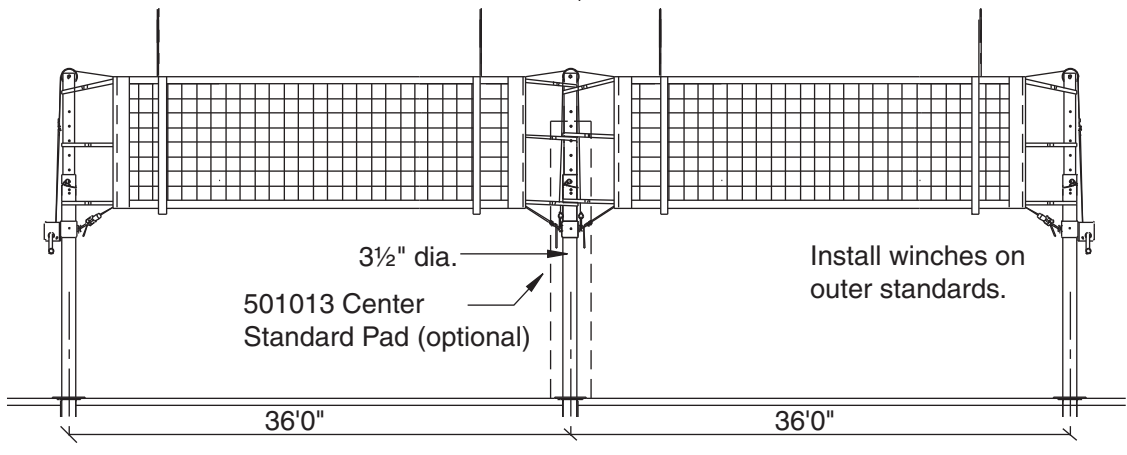


Typ. SVS-02 2-court set-up



501013 Center Standard Pad (optional)

Install winches on outer standards.