

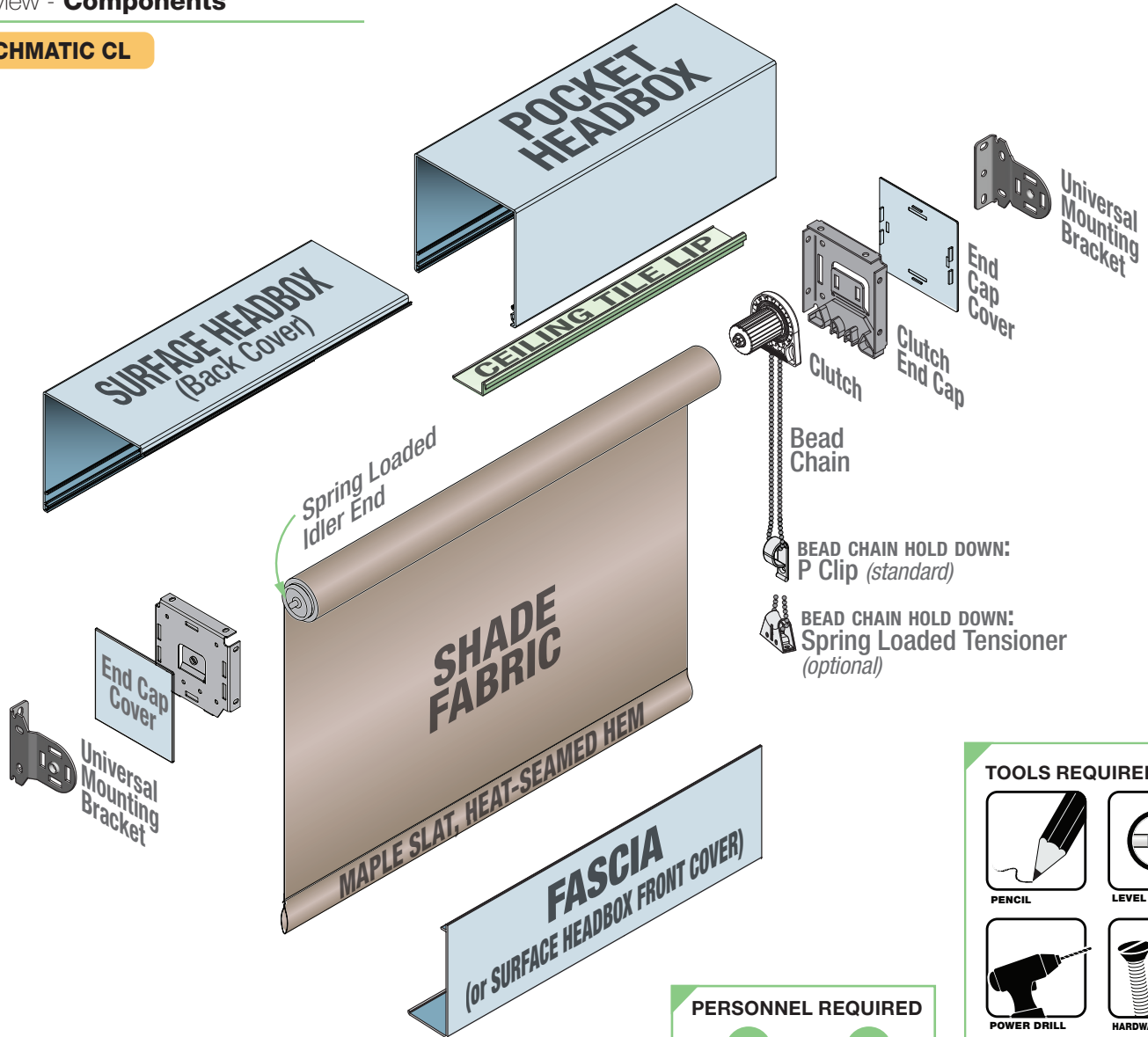
Techmatic Window Shades

Window shade with smooth, quiet operation, and independent control

INSTRUCTIONS INSTALLATION & OPERATION

Overview - Components

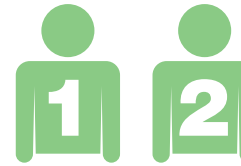
TECHMATIC CL



TOOLS REQUIRED



PERSONNEL REQUIRED



⚠ CAUTION ⚠

Read and understand all warnings (Page 2 of this document) **before beginning installation.**

Contents

Overview - Components.....	1	Section 3 - Attaching Fascia	5
PLEASE READ - Safety Information.....	2	Section 4 - Surface Headbox Installation	6
PLEASE READ - Field Adjustments, Cleaning and Maintenance.....	2	Section 5 - Pocket Headbox Installation	7
PLEASE READ - Important Installation Information	3	Section 6 - Bead Chain Limits and Safety Device Installation.....	8
Section 1 - Bracket-Only Installation.....	3	Section 7 - Dimensions	8
Section 2 - Endcap Installation.....	4		

If you have any difficulties installing or servicing your Techmatic Window Shades, call your dealer or Draper, Inc.

PLEASE READ - **Safety Information**

Important Safety Information



WARNING

Important Safety Information

Improper installation and use of Techmatic Window Shades can result in serious injury or death. Primarily, injuries can occur if the unit falls due to imprecise installation, mishandling of the shade during installation, or installation on an insufficient wall or ceiling structure. Please use extreme care.

1. Please read the following installation guidelines thoroughly and follow them carefully. Failure to do so may cause product to fall or otherwise fail, and could result in serious injury.
2. Installation and calibration of the shade should only be performed by an authorized, qualified, and experienced professional.
3. Do not affix the unit to wall or ceilings that have inadequate strength to permanently hold the unit during use. It is the owner's and installer's responsibility to confirm the wall or ceiling to which the unit attaches is sufficient to permanently hold the weight and stress loads of the unit at all times. Draper, Inc., is not responsible for improper installation, application, testing, or workmanship related to the product at place of installation.
4. It is the installer's responsibility to make sure appropriate fasteners are used for mounting.
5. All brackets, fascia, headboxes, pockets, wall clips, and other hardware must be installed level. Shade unit must be level and square.
6. Never leave the area while operating the shade during installation, maintenance, or normal operation, unless it is secure and safe.
7. Before testing or operation, carefully inspect the entire area and path of the shade and areas underneath the shade to be sure no persons or objects are in the area.
8. During testing or operation, carefully watch the surrounding area for any potential safety concerns including nearby persons or objects.
9. After installation, the entire system should be carefully tested to ensure safe and normal operation. Extreme care should be taken during testing to remain clear of moving parts to avoid possible injury.
10. Operation of shade should be performed only by authorized and qualified personnel, who have been trained in the safe and effective operation of the shade and understand its safety features.
11. The safety features of the shade should never be disabled, bypassed, or overridden. The system should not be operated until all safety features are properly and completely installed, calibrated, and tested.
12. Shade may need to comply with local, state, or district rules and regulations, in particular when installed in schools. All applicable rules and regulations should be reviewed before installation and use.
13. Failure to precisely follow installation guidelines invalidates all warranties.
14. Custom products/installations may not be reflected in this manual. Call Draper, Inc., if you have questions regarding your installation.

Before Beginning Installation

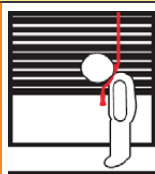
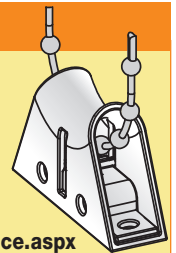
1. Look for any job site conditions that could interfere with installation or operation of the system.
2. Read carefully and be sure to understand all installation instructions and all related operations manuals. These instructions are intended to serve as a guide for the installer and owner. They should be followed closely and combined with the expertise of experienced qualified installers. Draper, Inc., is not responsible for improper installation, application, testing, or workmanship related to the product at place of installation. Please retain all instructions for future use.
3. Open cartons lengthwise.
4. Locate and lay out all pieces.
5. Inspect all boxes to make sure you have received the proper shade and parts. Controls may be shipped separately, or in same carton as shade.
6. If you have any difficulties with installing, servicing, or operating your shade, call your dealer or Draper, Inc., 765-987-7999.

Child Safety Information

ANSI/WCMA A100.1-2018 standard (developed by the Window Coverings Manufacturer's Association and the Consumer Product Safety Commission) was established on December 15, 2018, to eliminate strangulation hazards for small children from hanging cords and chain loops.

When a Draper® dealer specifies that custom shades comply with ANSI/WCMA A100.1-2018, Draper provides a pre-installed Spring-Loaded Chain Tension Device (shown at right) for clutch-operated units. A warning label is attached to the kit and approved mechanical fasteners are included. When properly installed, the tension device prevents the creation of a hazardous loop by maintaining tension on the bead chain. If not installed properly, the shade is partially inoperable. A warning label (shown below) is also added to the shade roller.

For more information, please see the Draper ANSI/WCMA A100.1-2018 compliance page: www.draperinc.com/windowshades/wcmacompliance.aspx



Window Blind Cord can STRANGLE your child. Keep cords out of children's reach. Shorten cords to prevent reach. Move crib and furniture away – Children can climb furniture to reach cords.

La cuerda ciega de la ventana puede ESTRANGULAR a su niño. Mantenga las cuerdas fuera del alcance de los niños. Acorte los cables para evitar el alcance. Mueva la cuna y los muebles lejos – Los niños pueden subir los muebles para alcanzar las cuerdas.

PLEASE READ - **Field Adjustments**

Each Draper Solar Control Shade is tested to ensure proper operation. Even with this testing, some field adjustments may be needed for telescoping.

If the shade is telescoping, place a piece of high quality gaffer tape about 1" (25mm) wide on the exposed roller (where the fabric will cover it) on the side that the fabric will be drawn toward. For example: if the fabric is tracking to the left, place the tape on the right side.

PLEASE READ - **Cleaning and Maintenance**

Window covering products manufactured by Draper, when properly installed, should require no operational maintenance or lubrication.

Most standard Draper fabrics may be cleaned at the window by vacuuming with a soft brush attachment. They also may be cleaned by using a sponge or soft cloth and mild solution of warm soapy water. A mild dishwashing liquid is recommended. A clean dry cloth is recommended for the metal finish.

Please Note: Exceptions are GreenScreen Evolve®, GreenScreen Revive®, Flocké®, and Phifer® SW7000 fabrics, which must be cleaned with a dry art sponge.

(GreenScreen Evolve®, GreenScreen Revive®, and Flocké® are registered trademarks of Mermet® USA. SheerWeave® is a registered trademark of Phifer® Incorporated.)

PLEASE READ - Important Installation Information

⚠ Caution:

1. Inspect all boxes to make sure you have received the proper shades and parts. Controls may be shipped separately, or in same carton as shades.
2. Open cartons lengthwise.
3. Before mounting shades, verify measurements on label provided with shade, and ensure unit is installed at correct width.
4. All endcaps, fascia, pocket headbox, and other hardware must be installed level. Shades must be level and square.
5. **Read the following installation guidelines thoroughly and follow them carefully. Failure to do so may cause product to fall or otherwise fail, and invalidates warranty.**
6. **Installer is responsible for selecting mounting hardware appropriate for site conditions.**

Section 1 - Bracket-Only Installation

⚠ **Caution:** Before mounting shades, verify measurements on label provided with shade, and ensure unit is installed at correct width.

Please Note: Installer is responsible for selecting mounting hardware appropriate for site conditions.

Please Note: Idler End must be installed FIRST.

1. Mark wall, jamb, or ceiling for placement of mounting brackets and drill small starter hole (if necessary) in mounting surface.
2. Place spring-loaded pin into idler bracket, slip notches on clutch into clutch bracket. Press down to lock in place.

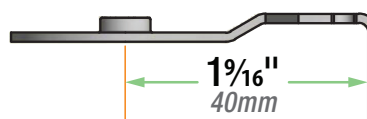


Figure 1-A

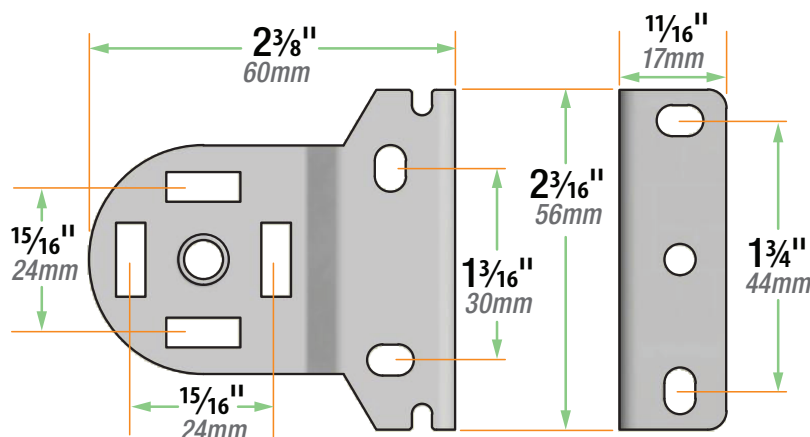


Figure 1-B

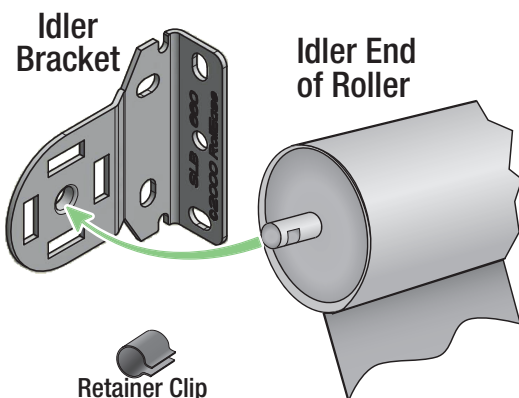
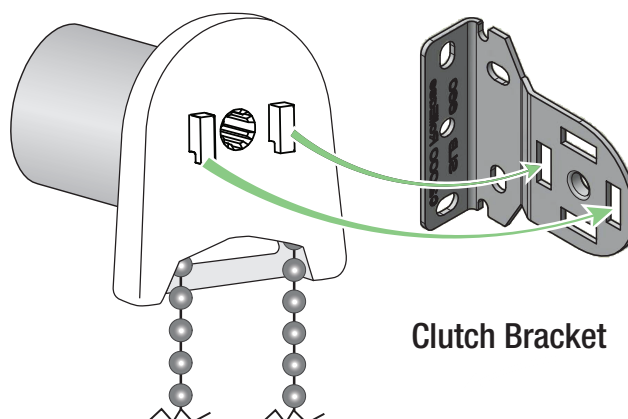


Figure 1-C



Section 2 - Endcap Installation

⚠ Caution: Before mounting shades, verify measurements on label provided with shade, and ensure unit is installed at correct width.

Please Note: Installer is responsible for selecting mounting hardware appropriate for site conditions.

Please Note: If installing Fascia, see Section 3.

1. Snap on Endcap Covers.
2. Mark wall, jamb, or ceiling for placement of mounting endcaps and drill small starter hole (if necessary) in mounting surface.
3. Place spring-loaded pin into idler endcap (Fig.2-B)
4. Slip notches on clutch into clutch endcap. Press down to lock in place (Fig. 2-C).
5. Route bead chain through chain guide, then attach cover using provided screw.

Figure 2-A

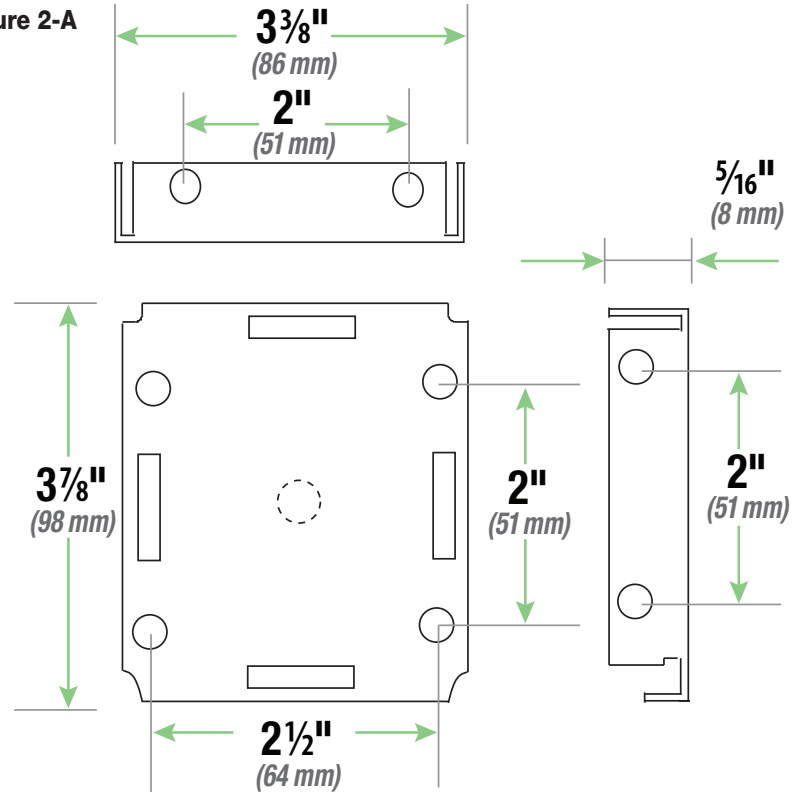


Figure 2-B

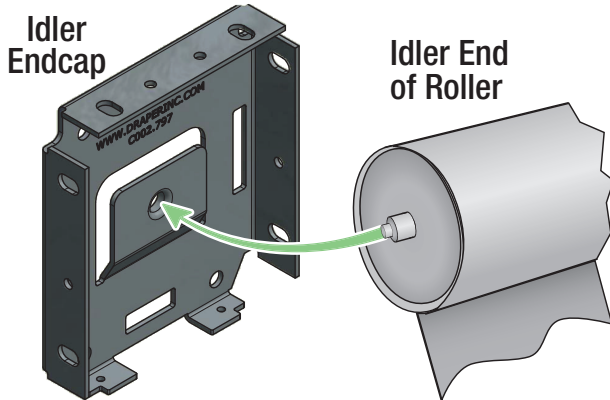
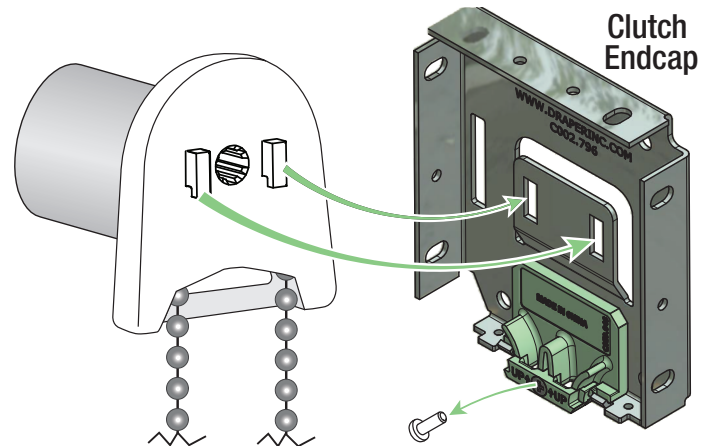
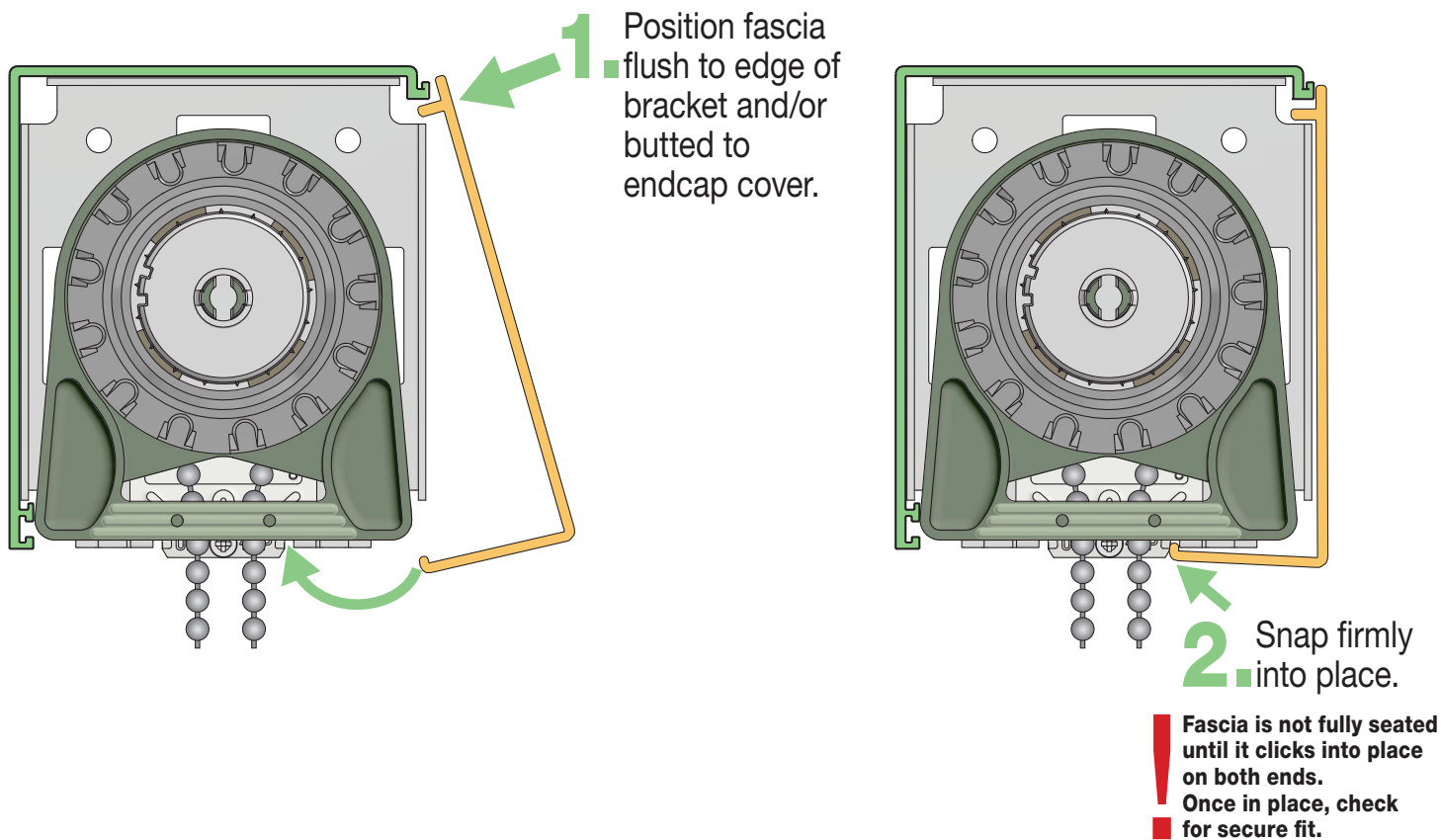


Figure 2-C



Section 3 - Attaching Fascia

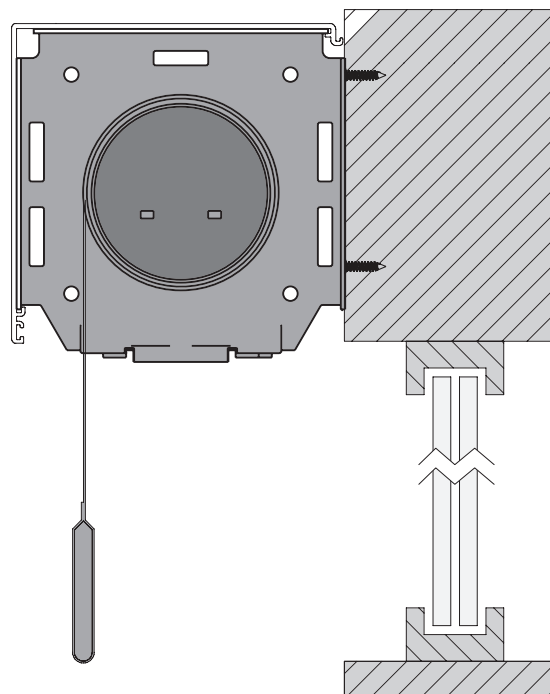
Figure 3-A



Reverse Roll Fascia

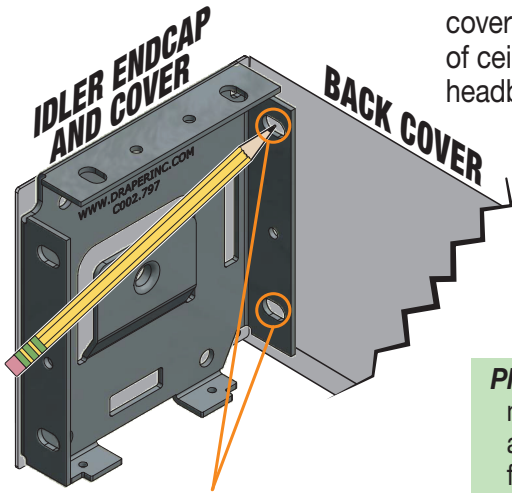
- 1.** Slide endcaps into Fascia.
- 2.** Using provided holes in endcaps, mark the Fascia for drilling.
- 3.** Attach endcaps to fascia.
- 4.** Mount Endcaps/Reverse Roll Fascia.
- 5.** Install roller/fabric/operator assembly according to relevant instructions.
- 6.** Attach endcap covers to endcaps. Use double-sided tape to help secure in place.
- 7.** Once in place, check for secure fit. If not secure, secure with appropriate fastener (*not included*).

Figure 3-B
REVERSE ROLL FASCIA



Section 4 - Surface Headbox Installation

Figure 4-A

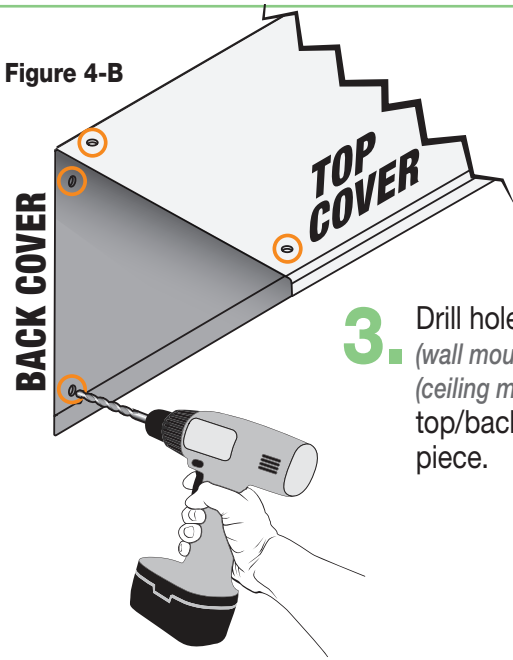


1. Place endcaps into top/back cover piece of ceiling/wall headbox.

2. Using pre-drilled holes in endcaps, mark headbox for drilling.

Please Note: Installer must provide adequate clearance for removal of Roller Assembly during installation and maintenance.

Figure 4-B



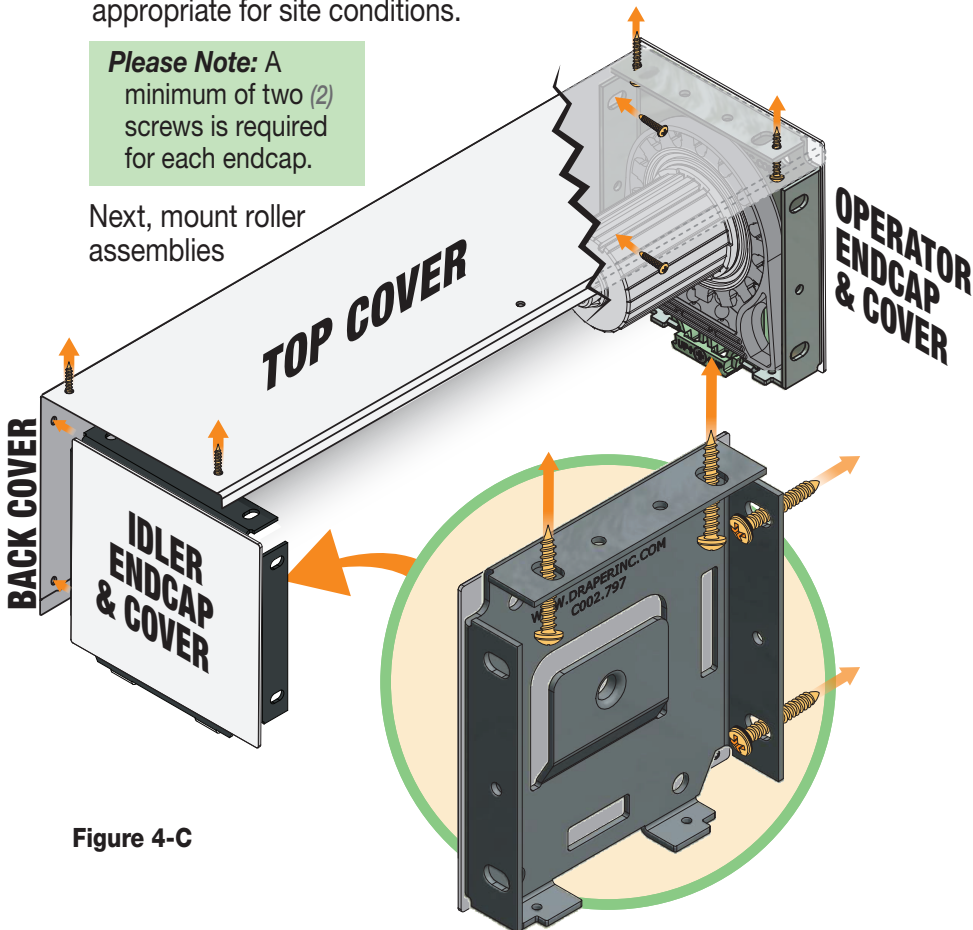
3. Drill holes in back (wall mount) or top (ceiling mount) of top/back cover piece.

Please Note: Headbox MUST BE mounted directly to ceiling or wall, or to a continuous blocking that has been secured to building structure.

4. Attach endcaps and top/back cover piece to wall or ceiling, using mounting hardware appropriate for site conditions.

Please Note: A minimum of two (2) screws is required for each endcap.

Next, mount roller assemblies



5. Attach fascia as in Section 3.

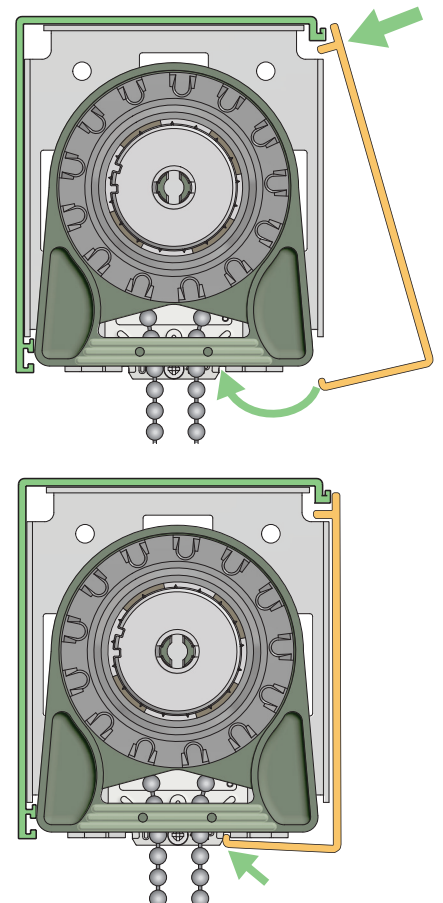


Figure 4-C

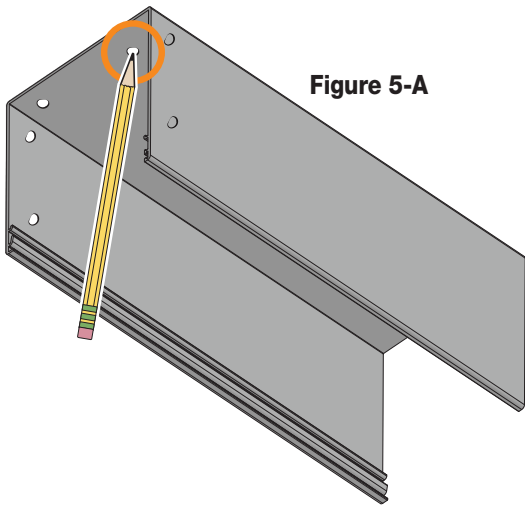
Section 5 - Pocket Headbox Installation

Please Note: Installer must provide adequate clearance for removal of Roller Assembly during installation and maintenance.

Please Note: Headbox must be mounted directly to ceiling, or to a continuous blocking that is secured to building structure.

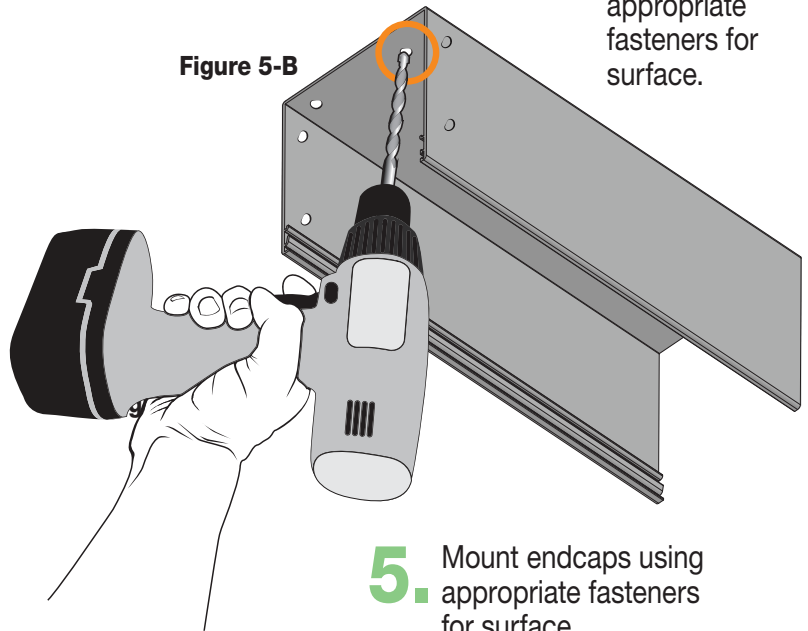
Please Note: For pocket style headbox, small size will require securing closure panel to endcap with provided screw.

1. Lift headbox into mounting position. Slide endcaps into the pocket extrusion of headbox.



2. Mark location of optional pre-drilled pocket mounting holes and endcap mounting holes on top side of headbox on mounting surface.

3. Drill small starter hole (if necessary) in mounting surface.



4. Mount pocket headbox using appropriate fasteners for surface.

5. Mount endcaps using appropriate fasteners for surface.

6. Mount pocket closure.

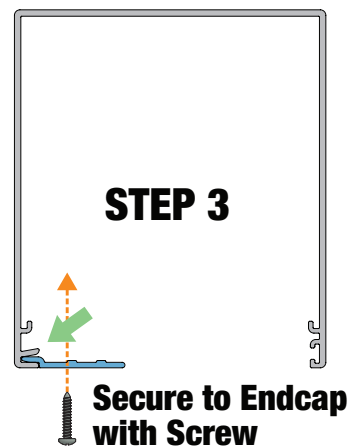
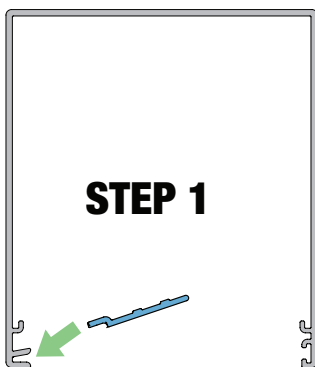


Figure 5-C

Section 6 - Bead Chain Limits and Safety Device Installation

Attaching Stop Balls

Set upper and lower travel limits by installing stop balls to bead chain
(crimp closed using pliers) (Fig. 6-A).

Caution: Be sure to use stop balls provided in hardware packet by Draper to set up and down travel limits. Stop balls by others may be too small, and become lodged in clutch mechanism.

P-Clip Cord Tension Device

Please Note: Draper Bead Chain Clutch-Operated shades that do not comply with WMCA/ANSI Standard A100.1-2018 come with a P-Clip cord tension device pre-attached to bead chain (Fig. 6-B). This device must be attached to wall, jamb, or sill so that bead chain is held taut enough that children cannot pull it away from wall or fit their head into loop. (Safety notes, page 2)

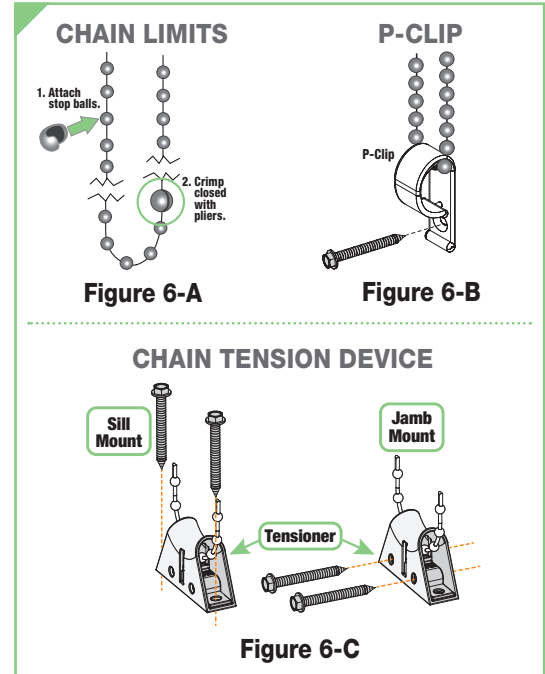
Spring-Loaded Cord Tension Device

For Draper® Clutch FlexShades that comply with WMCA/ANSI Standard A100.1-2012, a Spring-Loaded Cord Tension Device comes installed on bead chain (Fig. 6-C). An approved permanent warning label is attached, and approved mechanical fasteners (wood screws) are included. Install chain tension device to wall, jamb, or sill.

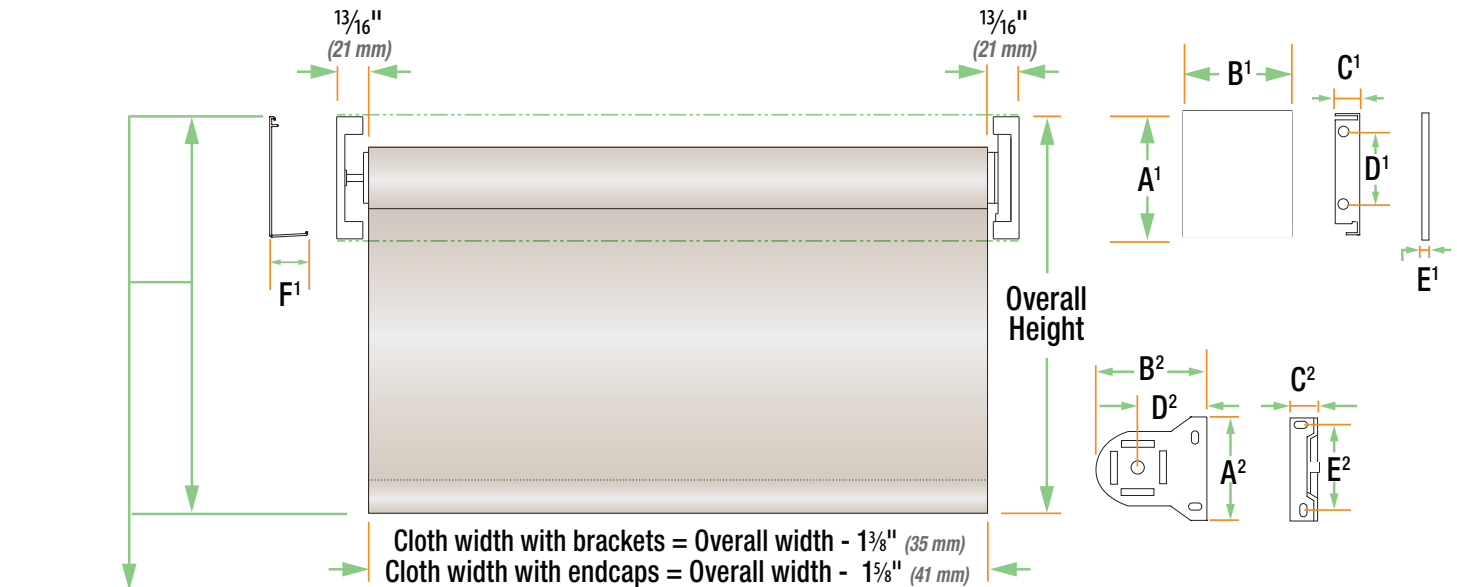
To install, pull tensioner down and use mounting hardware to keep bead chain taut enough to move smoothly through device. Without sufficient tension, device will not allow bead chain to operate shade. This device is designed so that children cannot pull bead chain away from wall or fit their head into loop (Safety notes, page 2).

For more information, visit www.draperinc.com/WindowShades/WCMAcompliance.aspx.

Please Note: Overtightening screws will damage the Spring Loaded Tension Device.



Section 7 - Dimensions



	HEADBOX WITH ENDCAPS	FASCIA WITH ENDCAPS	BRACKETS	
A ¹	3 15/16" (100mm)	3 7/8" (98mm)	A ²	2 3/16" (56mm)
B ¹	3 7/16" (87mm)	3 3/8" (86mm)	B ²	2 3/8" (60mm)
C ¹	5/8" (16mm)	5/8" (16mm)	C ²	1 1/16" (27mm)
D ¹	2" (51mm)	2" (51mm)	D ²	1 5/8" (41mm)
E ¹	1/16" (2mm)	1/16" (2mm)	E ²	1 3/4" (44mm)
F ¹	1 3/16" (30mm)	1 3/16" (30mm)	F ²	N/A