

Installation Instructions

Panel Track FlexShade by Draper

⚠ Warning

- ① Inspect all boxes to make sure you have received the proper parts.
- ② Open cartons lengthwise.
- ③ All brackets, fascia, and other hardware must be installed level. Panel Track must be level.
- ④ **Please read the following installation guidelines thoroughly and follow them carefully. Failure to do so may cause product to fall or otherwise fail, and invalidates warranty.**

Wall Mounting

- ① Mark mounting surface for placement of mounting brackets. If two brackets are provided, they should be attached to the mounting surface about 4" in from each end of the track. If there are three or more brackets, one should be attached to the mounting surface about 4" from each end of the track, and the remaining brackets should be spaced evenly between them.

⚠ **Caution: Before mounting, verify measurements, and ensure the brackets are installed at the correct locations, and high enough to allow 1" of clearance between the fabric panels and the floor.**

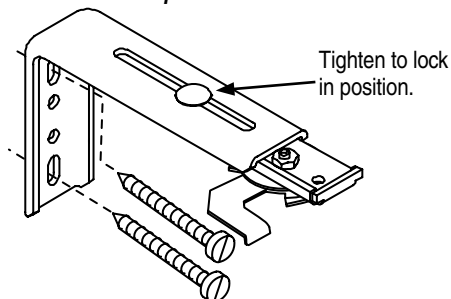


Figure 1

- ② Drill small starter hole (if necessary) in mounting surface.
- ③ Mount brackets using appropriate fasteners for surface.

Please Note: The installer is responsible for selecting mounting hardware appropriate for site conditions and product weight.

- ④ Attach track to the mounting brackets. Place the mounting locking mechanisms into the extrusions along the top of the track, and rotate until they lock in place (see Fig. 2).

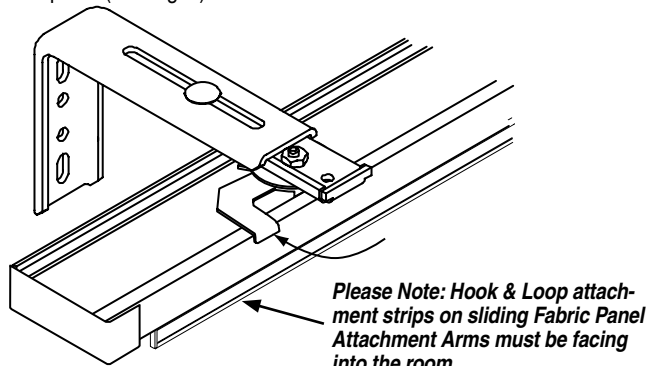


Figure 2

⚠ **Caution: Be careful not to pinch your fingers when closing or opening the locking mechanism (see Fig. 3).**

⚠ **Caution: Beware of pinch points.**

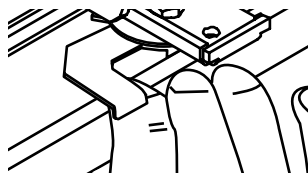


Figure 3

DRAPER

Ceiling Mounting

- ① Mark mounting surface for placement of ceiling brackets. If two brackets are provided, they should be attached to the mounting surface about 4" in from each end of the track. If there are three or more brackets, one should be attached to the ceiling about 4" from each end of the track, and the remaining brackets should be spaced evenly between them.

⚠ **Caution: Before mounting, verify measurements, and ensure the ceiling brackets are installed at the correct locations. 1" of clearance is required between the fabric panels and the floor.**

- ② Drill small starter hole (if necessary) in mounting surface.
- ③ Mount brackets using appropriate fasteners for surface (see Fig. 4).

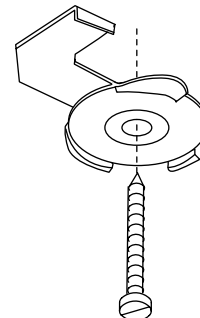
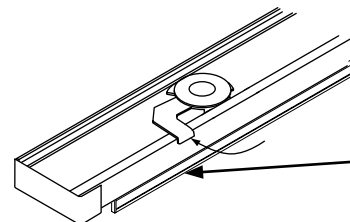


Figure 4

Please Note: The installer is responsible for selecting mounting hardware appropriate for site conditions and product weight.

- ④ Attach track to the mounting brackets. Place the mounting locking mechanisms into the extrusions along the top of the track, and rotate until they lock in place (see Fig. 5).



Please Note: Hook & Loop attachment strips on sliding Fabric Panel Attachment Arms must be facing into the room.

Please note: Shown from above with ceiling removed from view for clarity

Figure 5

⚠ **Caution: Be careful not to pinch your fingers when closing or opening the locking mechanism (see Fig. 6).**

⚠ **Caution: Beware of pinch points.**



Figure 6

Fabric Panel Attachment

- ① Attach fabric panels to sliding Fabric Panel Attachment Arms using the affixed Hook & Loop attachment strip along the top of each panel (see Fig. 7).

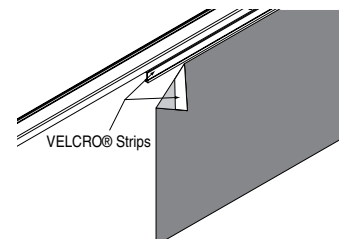


Figure 7

Continued on reverse side

Wand Attachment

- ① For Panel Track units which open and close from one side, attach Wand by hooking it into the eye on the endmost panel (on the end from which the unit will open) (see Fig. 8).
- For Panel Track units which open and close in both directions from the center, attach Wands by hooking into the eyes on the two center panels (see Fig. 8).

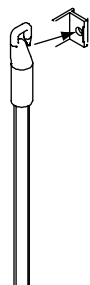


Figure 8

Mounting Optional Fascia

- ① Determine desired location of Optional Fascia. Fascia should be placed so that it hides the Panel Track and Mounting Brackets.
- ② Pre-drill mounting holes for the brackets.
- ③ Mount wall brackets in chosen location (see Fig. 9).

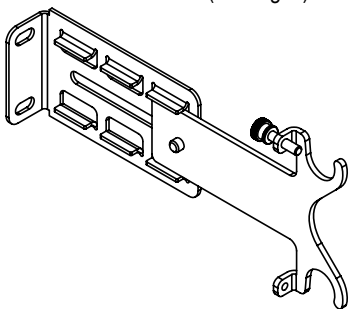


Figure 9

- ④ If covering fascia with fabric, cut fabric to size and place face down on a clean, flat surface. Place fascia face down on the fabric. Bring the fabric around over the top or bottom of fascia, and anchor in place using spline (see Fig. 10).

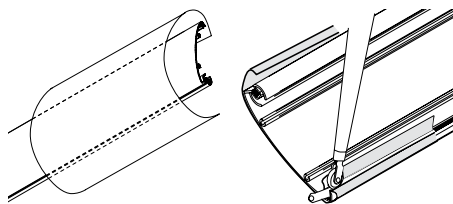


Figure 10

Please note: Spline is used to hold window screens in place, and is available at most hardware stores. Choose spline size based on thickness of fabric being used to ensure a secure hold.

A) For materials between 0.007 and 0.024-inches thick: use a hollow rubber spline material that is approximately 0.22-inches in outer diameter.

B) For materials between 0.025 and 0.040-inches thick: use a hollow rubber spline material that is approximately 0.19-inches in outer diameter.

- ⑤ Repeat with other end of fabric and fascia, making sure there are no wrinkles in the fabric.

Please Note: The fascia can also be painted or papered to match your room decor. If you do this, paint or paper the fascia away from the Fabric Panels, and make sure it is dry before assembling.

- ⑥ Install end covers onto fascia ends using provided screws. Attach fascia to brackets by placing top lip over bracket and bottom extrusion into bottom of bracket and tightening the thumbscrews to hold the fascia in place (see Fig. 11).

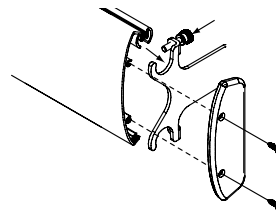


Figure 11

Please Note: The fascia end caps can also be painted to match your room decor. If you do this, paint away from the Fabric Panels, and make sure it is dry before assembling.

- ⑦ Measure the distance between the 3/4" diameter shape located at the top of the fascia and the wall. Use a fine tooth saw to carefully cut the bracket covers to length (see Fig. 12).

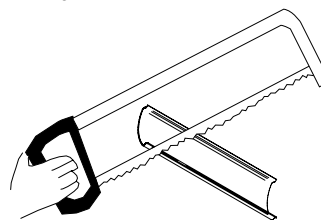


Figure 12

⚠ Caution: Beware of the saw slipping along the bracket covers. Carefully cut a starter slot before sawing, and keep your fingers clear of the saw.

- ⑧ Snap end covers onto brackets (see Fig. 13).

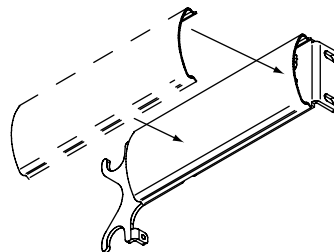


Figure 13

Please Note: The end covers can also be painted or papered to match your room decor. If you do this, paint or paper away from the Fabric Panels, and make sure it is dry before assembling.