

Installation Instructions

Exterior FlexShade—Crank and Motorized by Draper

⚠ Caution

- ① Inspect all boxes to make sure you have received the proper parts.
- ② Open cartons lengthwise.
- ③ All hardware must be installed level. Shades must be level and square.
- ④ Do not wire motors in parallel without written permission from Draper.
- ⑤ It is the installer's responsibility to make sure appropriate fasteners are used for mounting surface.
- ⑥ **Please read the following installation guidelines thoroughly and follow them carefully. Failure to do so may cause product to fall or otherwise fail, and invalidates warranty.**

Before mounting External FlexShades, mark building for placement of mounting brackets and pre-drill mounting holes and electrical access holes (if necessary) in mounting surface. It is installer's responsibility to make sure appropriate fasteners are used for mounting surface. External FlexShades are shipped with headbox assembly complete (see Fig. 1).

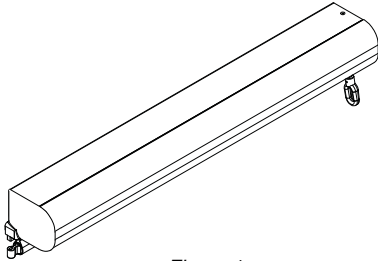
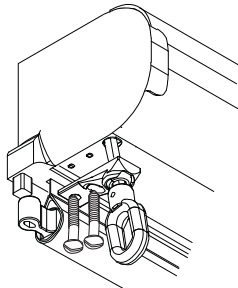


Figure 1

Mounting Through Back of Shade Headbox:

- ① Remove fascia from headbox. If your unit is equipped with a crank operator, first remove the crank attachment from the unit, then remove additional screws holding fascia onto back/top and rotate fascia up and off of unit (see Fig. 2).

Please Note: A minimum of 1 3/4" is required for the closure to hinge up, attach and close.



Please Note: For flush ceiling mount, blocking may be required above headbox to allow closure panel sufficient room to hinge to open/close.

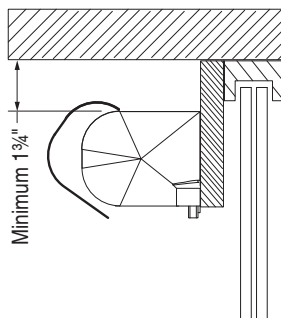
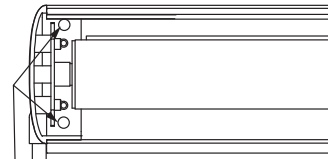


Figure 2

- ② Drill mounting holes in back of headbox, using holes in endcaps for guides. Holes can also be drilled through the sides of the endcaps for inside mounting. If this is a motorized unit, you will also need to drill out a hole for the power and control cable to exit the headbox (see Fig. 3).



Drill holes for wall mounting, using holes in endcaps as guides.

Figure 3

Please Note: It is the installer's responsibility to make sure appropriate fasteners are used for mounting surface.

Mounting Through Top of Shade Headbox:

- ① Remove fascia from headbox. If your unit is equipped with a crank operator, first remove the crank attachment from the unit, then remove additional screws holding fascia onto back/top and rotate fascia up and off of unit (see Fig. 2).
- ② Remove roller/fabric assembly from headbox. Pull the roller/fabric assembly away from the operator end. This will depress the spring-loaded pin on the non-operator end. Then you can rotate roller/fabric assembly out of the headbox (Fig. 4).

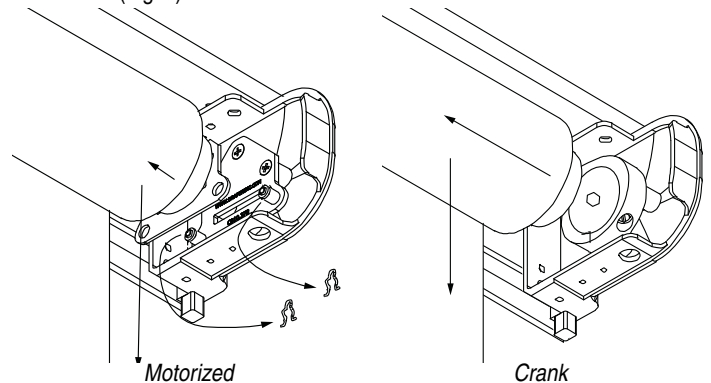


Figure 4

- ③ Drill mounting holes in top of headbox, using holes in endcaps for guides. If this is a motorized unit, you will also need to drill out holes for the power and control cables to exit the headbox.

Please Note: It is the installer's responsibility to make sure appropriate fasteners are used for mounting surface.

- ④ Replace roller/fabric assembly in headbox. Place the spring-loaded pin on the non-operator end into the endcap. Push the roller/fabric assembly toward the non-operator end to depress the spring-loaded pin, then rotate roller/fabric assembly into the headbox.
- ⑤ Lower shade approximately 12" to begin guide installation.

If Using Side Channels:

- ① Replace fascia and crank operator (if provided).
- ② Insert plug into lower end of side channel (see Fig. 5).

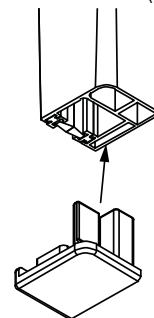


Figure 5

- ③ Slide dowel end into the side channel (see Fig. 6).

DRAPER®

411 S. Pearl St., Spiceland, IN 47385 USA ■ 765-987-7999

www.draperinc.com ■ fax 765-987-7142

Copyright © 2012 Draper Inc. Form ExteriorFlexShade-Crank&Motor_Inst112-R2 Printed in U.S.A.

Continued on next page

If you encounter any difficulties installing or servicing your Exterior FlexShade call your dealer or Draper, Inc. in Spiceland, Indiana, 765-987-7999, or fax 765-987-7142.

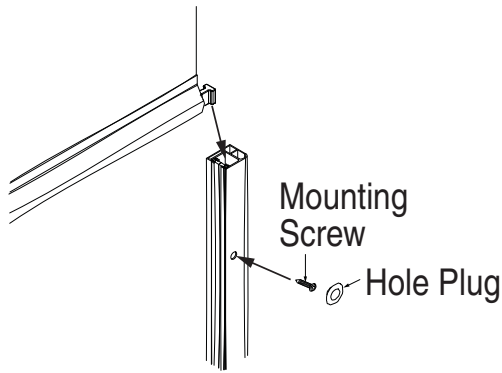


Figure 6

- ④ Insert upper retainer into top of side channel (see Fig. 7).

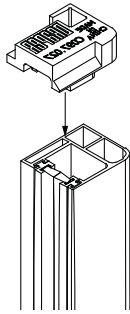


Figure 7

- ⑤ Attach side channel to headbox (see Fig. 8).

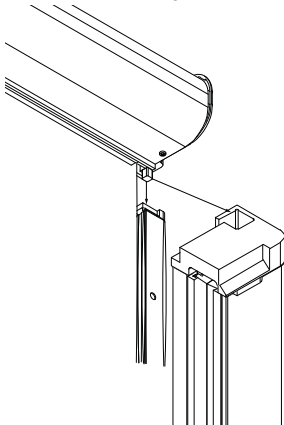


Figure 8

- ⑥ Attach side channel to mounting surface.
- ⑦ Repeat for the other side channel.
- ⑧ Install hole plugs (provided) to cover holes drilled in the side channels (see Fig. 6).

If Using Side Cables (see Fig. 9):

- ① Attach cable deck or wall mount to mounting surface.
- ② Attach cable to deck or wall mount using provided washer and nut.
- ③ After making sure of the length required, cut cable and strip the protective jacket from the top 1".
- ④ Insert cable through the hole provided in the end of the dowel, and then up through hole in endcap.
- ⑤ Insert stripped-off portion of cable into provided screw jacket, then tighten in place against the side wall of the endcap with the provided screw. Make sure the cable is taut. Tension to 8 in-lbs, so the shade will move up and down easily along the cable.
- ⑥ Replace fascia and crank operator (if provided).

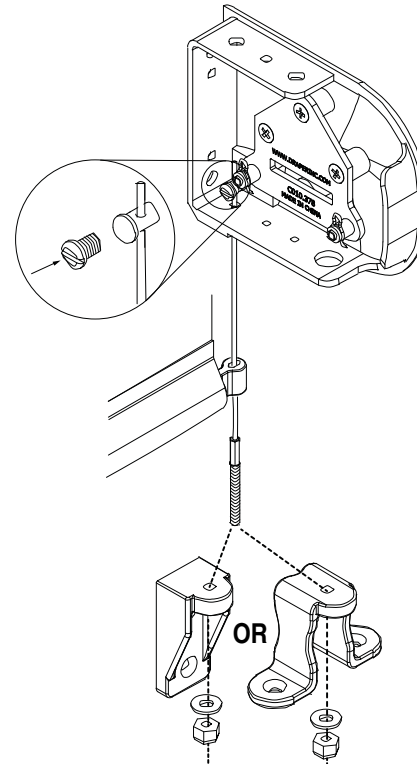


Figure 9

Electrical Connections

Shade operates on 110-120V, 60 Hz. current. Shade is shipped with internal wiring complete and control switch (es) fully boxed, and standardly supplied with a 6' cable lead. Longer lead can be substituted by removing two screws in motor end of roller, removing lead, plugging new lead in, and replacing screws. Wire to connect shade to switch (es) and switch (es) to power supply should be furnished by installer. Connections should be made in accordance with attached wiring diagram, and wiring should comply with national and local electrical codes. **DO NOT wire motors in parallel without written permission from Draper.**

All operating switches should be "off" before power is connected.

⚠ CAUTION: Wall switches provided with these shades are interior switches, and should not be installed outdoors.

Limit Switch Adjustments—Standard Motor

CAUTION: Be sure all switches are in "off" position before adjusting limit switches. Always be prepared to shut off manually when new adjustment is being tested. **Do not allow the shade roller to become exposed by running the shade fabric too far down.** Shade may be severely damaged if allowed to run too far up or down. **Each shade's limit switch must be set if using group control system. Motor should be installed so limit switches are pointed down or accessible.**

Push Button Limits

- ① Fully depress both limit switch push buttons, then operate wall switch to make sure system works properly.
- ② Raise shade to desired "up" stop position.
- ③ Set upper limit by depressing and releasing the proper (back) push button.
- ④ Lower shade to desired "down" stop position.
- ⑤ Set lower limit by depressing and releasing the proper (front) push button.

Screw-Type Limits

- ① Determine which direction of fabric travel corresponds with arrows on motor.
- ② Operate shade to desired "down" stop position. Set limit by turning the proper socket toward the "+" to lower the limit, and "-" to raise it.
- ③ Operate shade to desired "up" stopping position. Set limit by turning the proper screw toward the "-" to raise the limit, and "+" to lower it.

Limit Switch Adjustments—RTS Motors

For instructions of setting limits on these motors, consult Draper's Motorized Shade Handbook, available in the motorized shades section of www.draperinc.com.

Cleaning and Maintenance

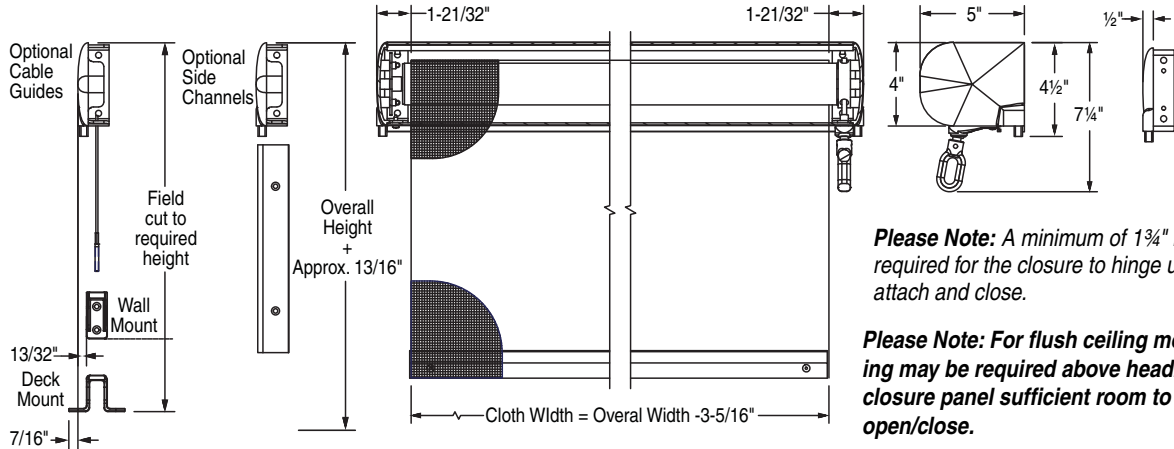
Window covering products manufactured by Draper, when properly installed, should require no operational maintenance or lubrication.

Most of Draper's standard fabrics may be cleaned at the window by vacuuming with a soft brush attachment. They may also be cleaned by using a sponge or soft cloth and mild solution of warm soapy water. A dishwashing liquid, such as Ivory liquid, is recommended. A clean dry cloth is recommended for the metal finish.

Field Adjustments

Each Draper Solar Control Shade is tested to ensure proper operation. Even with this testing, some field adjustments may be needed for telescoping. If the shade is telescoping, place a piece of high quality gaffer tape about 1" wide on the exposed roller (where the fabric will cover it) on the side that you want the fabric drawn toward. For example: if the fabric is tracking to the left, place the tape on the right side.

Exterior FlexShades—Crank and Motorized Dimensions

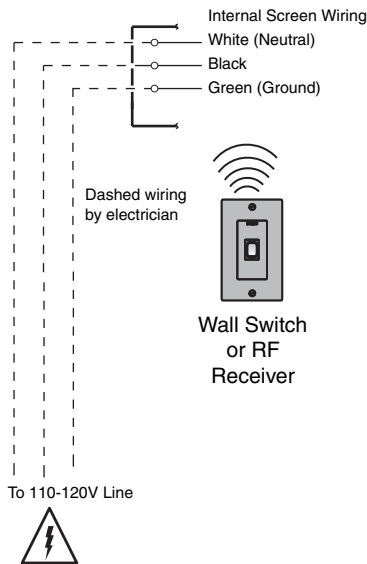


Please Note: A minimum of 1 3/4" is required for the closure to hinge up, attach and close.

Please Note: For flush ceiling mount, blocking may be required above headbox to allow closure panel sufficient room to hinge to open/close.

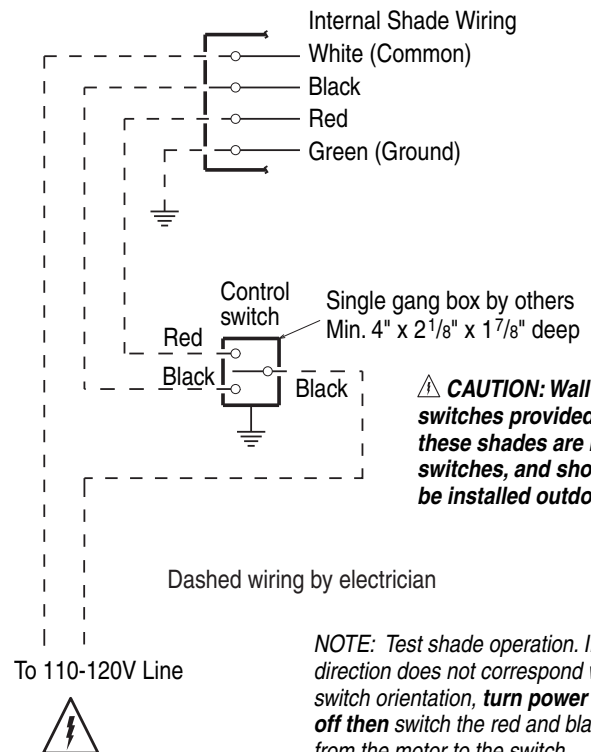
Please Note: Crank handle shown in the above diagram is not included with motorized units.

Radio Technology 110-120V Motors



For multiple shade or low voltage wiring consult diagrams provided with control.

Standard and Quiet Single Shade Wiring Diagram Do not wire motorized units in parallel without written consent from Draper.

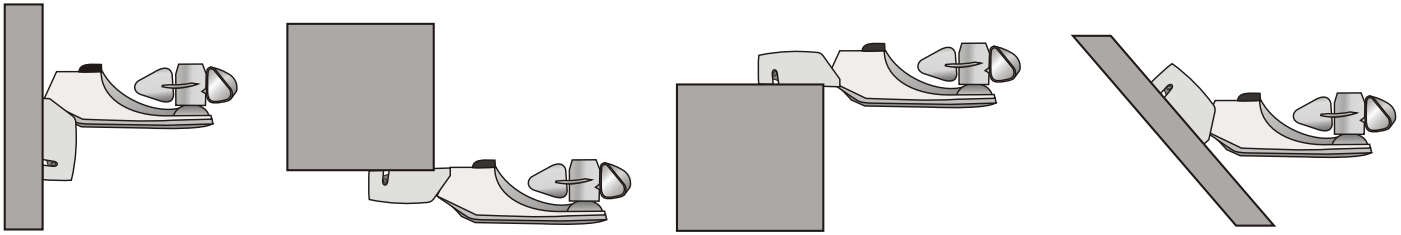


CAUTION: Wall switches provided with these shades are interior switches, and should not be installed outdoors.

NOTE: Test shade operation. If shade direction does not correspond with the switch orientation, **turn power back off then** switch the red and black wires from the motor to the switch.

NOTE: This wiring diagram is for standard right-hand motor placement and fabric from rear of roller. For left hand motor placement with fabric from rear of roller, Red becomes "Up" and Black becomes "Down."

Eolis Wind and Soliris Wind/Sun Sensor Installation Options



Eolis Wind and Soliris Wind/Sun Sensor Operating Instructions

- ① Place the RTS Motor in Programming Mode.
- ② Press the programming button on the back of the Soliris or Eolis RTS Sensor to program it in the memory of the motor.
- ③ When the measured wind speed exceeds the threshold set on the RTS Sensor, an UP command is transmitted after 2 seconds. As long as the measured wind speed is greater than the threshold, all other commands will be ignored. Once the measured wind speed falls below the threshold, the exterior window covering can be operated with a Telis transmitter after a 30 second delay. With the Soliris RTS Sensor, the sun will automatically activate the motor after a 12 minute delay.
- ④ When the measured sun intensity exceeds the threshold set on the Soliris RTS Sensor, a DOWN command is transmitted after 2 minutes. After approximately 20 minutes, if the sun intensity falls below the threshold, an UP command will be transmitted.

