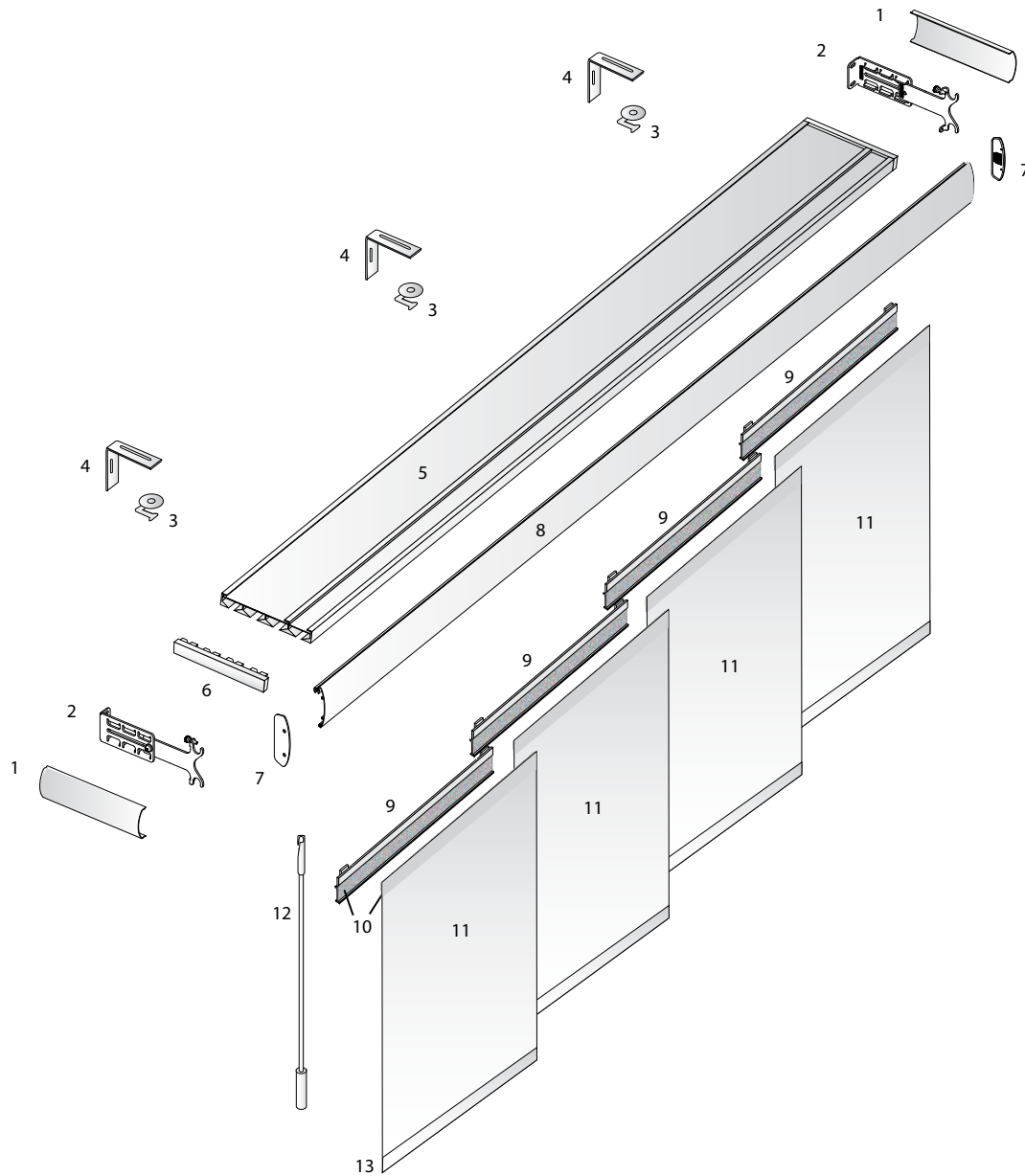


Panel Track



Components

- | | | |
|--|-----------------------------------|---|
| 1. Side Bracket Cover | 6. Headrail Endcap | 12. Aluminum Control Wand
(standard) |
| 2. Adjustable Fascia Side Bracket | 7. Fascia Endcap | 13. Bottom Hem/Slat Bar |
| 3. Top Fix Turnbuckle Bracket | 8. Curved Front Fascia Panel | |
| 4. Face Fix Bracket | 9. Hook Bar | |
| 5. Headrail (2, 3, 4 & 5 track
options available) | 10. Hook & Loop Attachment Strips | |
| | 11. Shade Fabric Panel | |

DRAPER

411 S. Pearl St., Spiceland, IN 47385 USA ■ 765-987-7999 ■ fax 866-637-5611
e-mail drapercontract@draperinc.com ■ www.draperinc.com