

FlexStyle® Cassette Recharge

Rechargeable motorized window shade with cassette-style case



SUBMITTAL TECHNICAL INFO

FSTYL CASS BA24

Please check all appropriate selections and attach room schedule with verified dimensions.

Fabric Series: _____

Color Name / Number: _____

Openness Factor: _____

Please see [Draper® Fabric Options](#) for fabric colors and specifications.

Select Hardware Finish

Fabric covered (open bottom ONLY)

- Yes No

Select Hardware Color

- Black White
 Taupe Warm White
 Grey Textured Bronze

Select Hem Bar/Slat Style

- Open Pocket (Standard)
 Closed Pocket (1" (25mm) Elliptical)
 Exposed Hem Bar
 Small Flat Exposed Hem Bar
 Large Flat Exposed Hem Bar
 Round Exposed Hem Bar

Select Exposed Hem Bar color

- (For Plated Hardware ONLY)
 Black White
 Taupe Warm White
 Grey Textured Bronze
 Clear Anodized (not painted)

Select Cassette Options

- Square
 Curved
Open Bottom
 Yes No

Select Recharge Controls

- 12' (3.66m) Recharge Cable
 USB Wall Charger- 5V, 2A, White US Plug Universal
 Recharge RF 1 Channel Remote
 C010.534 Screwless Switch Cover Plate
 C072.057 ARC Repeater
 C072.061 Recharge RF Push 5 Channel Remote (white)
 C072.062 Recharge RF Push 5 Channel Remote (black)
 C072.063 Push 15 (white)
 C072.064 Push 15 (black)
 C088.005 USB Wall Charger for ARC Repeater
 C107.094 Recharge Motor Cable Extender, 96" (244cm) (12V motors ONLY)
 C107.096 Recharge Motor Cable Extender, 48" (122cm) (12V motors ONLY)
 C107.137 8" (203mm) USB Cable Extender
 C112.156 Recharge RF 5 Channel Surface Mount Switch
 C112.157 Recharge RF 1 Channel Switch (cut-in)
 C112.158 Recharge RF 2 Channel Switch (cut-in)
 C112.159 Recharge RF 15 Channel Switch (cut-in)
 C112.182 Bond Sidekick 5 Channel Switch
 C156.260 Recharge RF 15 Channel Remote
 C156.264 Recharge 1 Channel Dry Contact Interface
 C156.308 Pulse 2 Hub
 C156.325 Bond Bridge Pro
 C232.014 Recharge Sun Sensor

Available Sizes:

WIDTH:	3'	4'	5'	6'	7'	8'
HEIGHT						
2'						
3'						
4'						
5'						
6'						
7'						
8'						
9'						
10'						

* Sizes will vary according to fabric.



Draper, Inc. | 411 S. Pearl St. Spiceland, IN 47385
draperinc.com | 765.987.7999 | 800.238.7999

© 2024 All Rights Reserved | FORM: FlexStyle_Cassette_Recharge_Sub24

PROJECT: _____

ARCHITECT: _____

CONTRACTOR: _____

SUPPLIER: _____

DATE: _____ REVISED: _____

Specifications

FLEXSTYLE CASSETTE BATTERY SHADING SYSTEM: Battery operated, motorized, vertical roll-up, fabric shading system. Assembly includes motor operator, controls, cassette, mounting brackets, and other components necessary for complete installation. FlexStyle Cassette Battery as manufactured by Draper®, Inc.

BATTERY OPERATOR: Drive unit inside roller, instantly reversible, lifetime lubricated. Lithium-Ion battery powered 5-volt motor with built-in radio receiver. Includes Ion Lithium batteries. No external wiring required. Tubular motor and batteries concealed inside each shade roller tube. Limit switches adjustable using wall switch or remote control.

MOTOR LOCATION: Left hand: standard

CASSETTE: Ships fully assembled. Constructed of extruded aluminum. Can be wall or ceiling mounted. No fasteners visible from below, front, or slightly above. Curved or Square shape available.

FINISHES AVAILABLE: Black, White, Taupe, Warm White, Grey, or Textured Bronze. Fabric covered cassette also available (*without bottom closure only*).

MOUNTING BRACKETS: Spring-loaded wall or ceiling mounting brackets of plastic and steel. A minimum of two required per cassette. More may be required at the manufacturer's discretion.

ROLLER: Fabricated from extruded aluminum. Wall thickness and diameter selected by manufacturer to accommodate shade size.

FABRIC CONNECTION TO ROLLER TUBE: Fabric panel is attached with double-sided adhesive (*LSE*) specifically developed to attach coated textiles to metal to the roller tube at the top, and to the hem bar at the bottom. Adhesive attachment to eliminate horizontal impressions in fabric.

HEM BAR:

CLOSED POCKET ELLIPTICAL SLAT: 1 inch (25mm) aluminum elliptical slat inside of a 1 ½ inch (41mm) pocket with heat sealed ends.

OPEN POCKET ELLIPTICAL SLAT: 1 inch (25mm) aluminum elliptical slat with plastic ends inside of a 1 ½ inch (41mm) pocket.

FLAT EXPOSED HEM BAR: Small: ½ inch x ¾ inch (22mm x 8mm) aluminum rectangular hem bar with plastic endcaps.

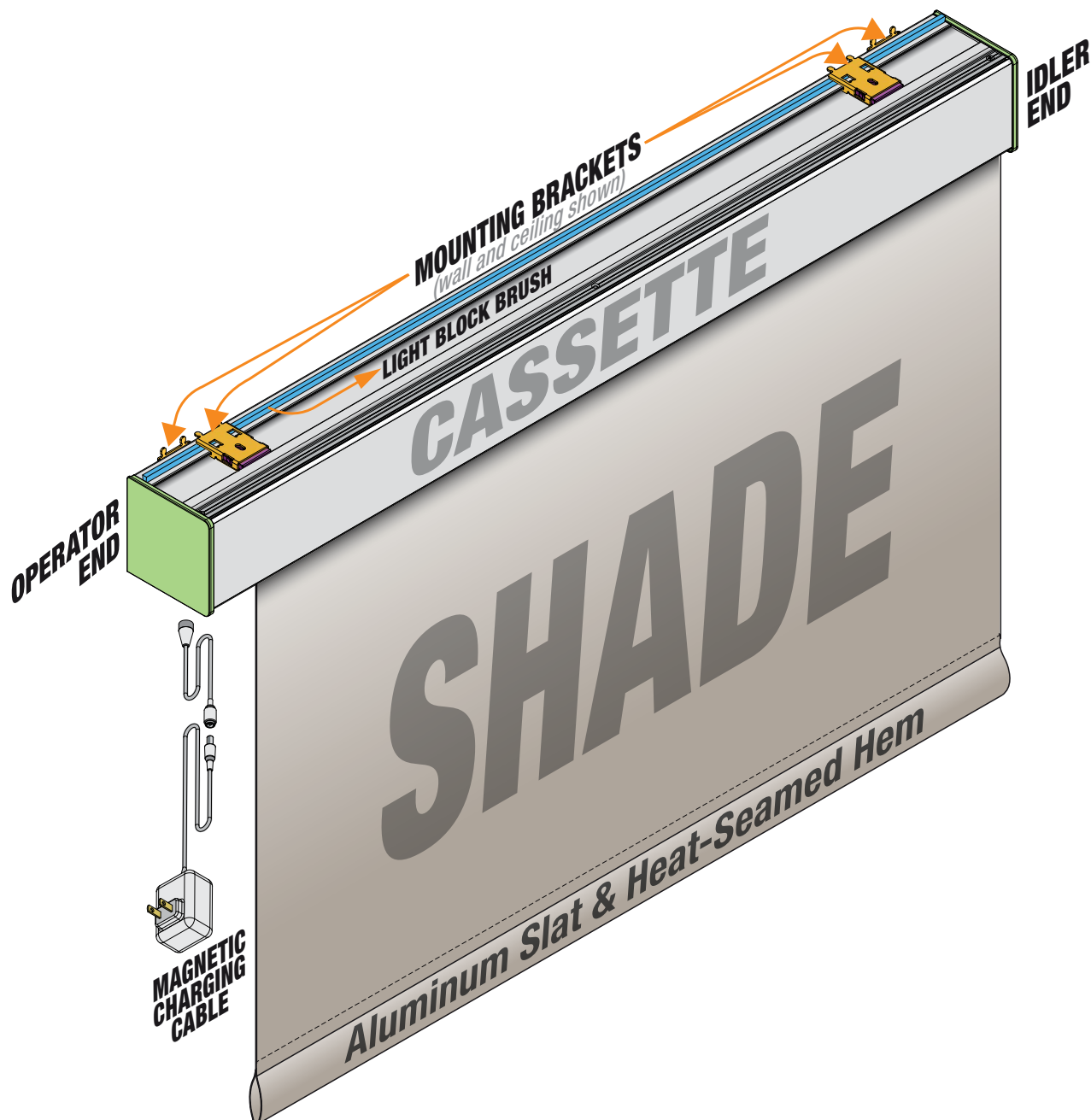
LARGE EXPOSED HEM BAR: 1 ½ inch x ¾ inch (38mm x 8mm) aluminum rectangular hem bar with plastic endcaps.

ROUND EXPOSED HEM BAR: Small ¾ inch (16mm) and Large 1 ¼ inch (21mm) aluminum with plastic endcaps.

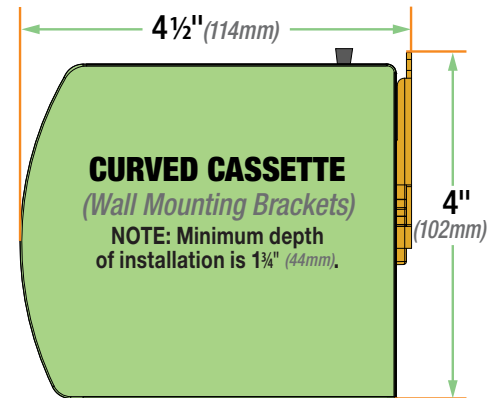
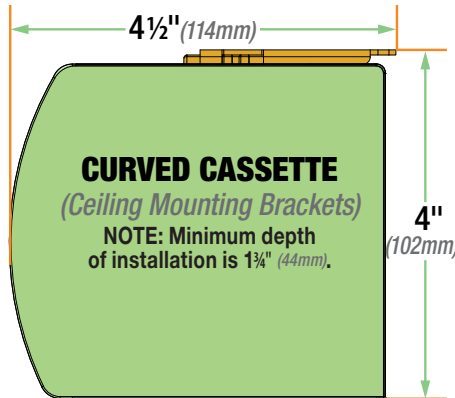
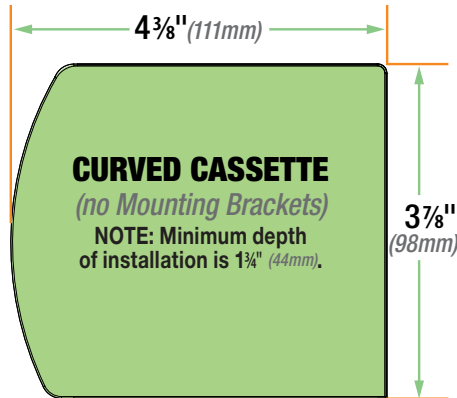
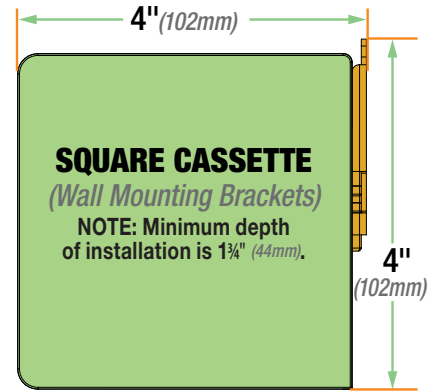
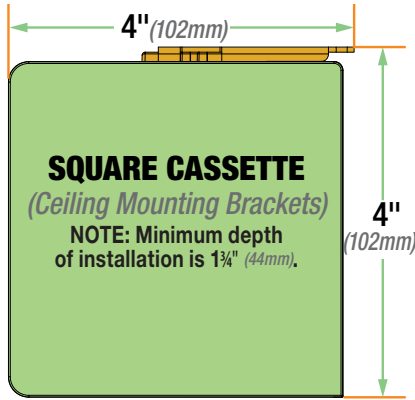
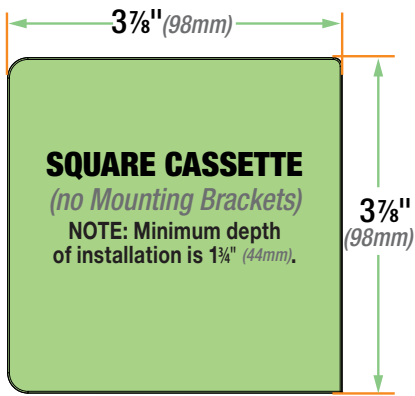
DOWNLOADABLE 3-PART SPECIFICATIONS:

www.draperinc.com

Please note: Dimensions of rollers, operators, and hardware at manufacturer's discretion.



Cassette Dimensions



Shade Dimensions

