

FlexShade[®] XL

Very large motorized shading system



SUBMITTAL TECHNICAL INFO

Please check all appropriate selections and attach room schedule with verified dimensions.

Select Fabric

- E Screen 1% Color Name / Number _____
- E Screen 3% Color Name / Number _____
- E Screen 5% Color Name / Number _____
- Soltis 92 Color Name / Number _____

Please see Draper's [Shade Fabric Reference Guide](#) for fabric colors and specifications.

Select Operator and Controls:

Select Motor Location:

- Right (Standard)
- Left

Select 120V RTS Operator:

- Altus RTS (Standard)

Select RTS Control Options:

- Altus RF
 - Telis 1 Transmitter (1-Channel)
 - Telis 5 Transmitter (4-Channel)
 - Dry Contact Interface
 - RTS Sun Sensor
- Wireless Wall Switch
 - Decora RTS 1-Channel (Circle one: White / Ivory)
 - Decora RTS 4-Channel (Circle one: White / Ivory)
 - Telis 1 Chronis Timer (1-Channel)
- URTSi II Universal RTS Interface RS-232 (16-channel)

Select 120V AC Operator:

- Altus 120V Motor

Select 120V AC Control Options:

- 120V Wall Switch for Single Shade Control
- Low Voltage and/or Multiple Shade Control*

Hardware Selections

Select Mounting Location:

- Wall Ceiling Pocket

Select Headbox Style

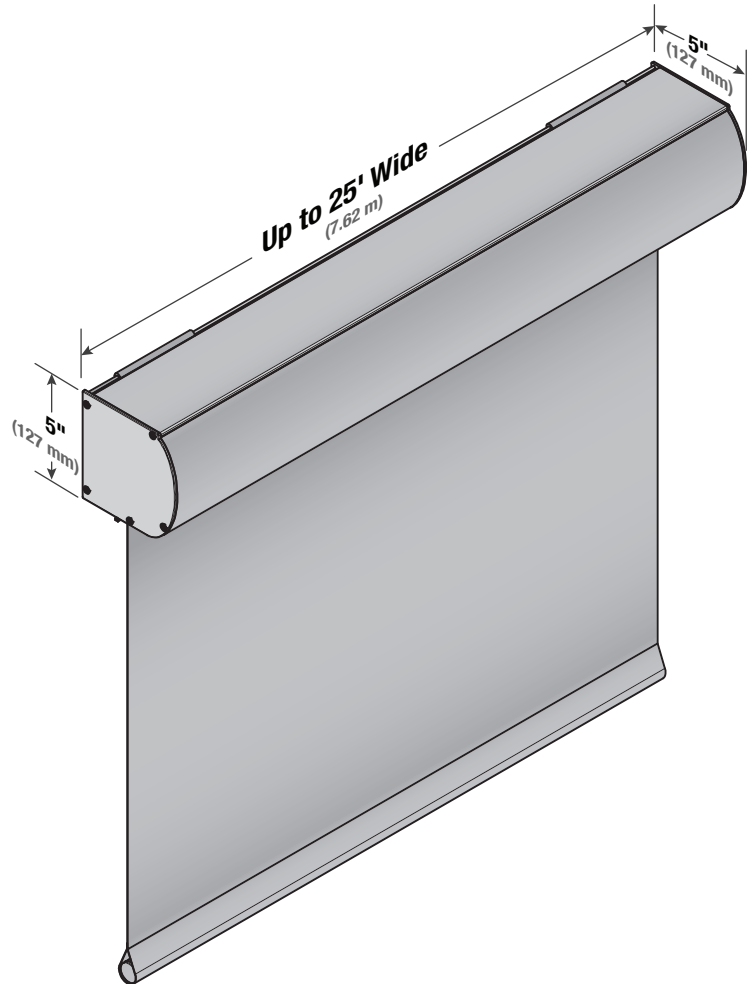
- Curved Angled

Select Hardware Finish

- Black Bronze Ivory
- White Sand Silver

Select Cable Exit Location

- None (Standard)
- Top
- Side
- Back



Available Sizes:

WIDTH:	2'	4'	6'	8'	10'	12'	14'	16'	18'	20'	22'	24'	26'
HEIGHT:													
2'													
4'													
6'													
8'													
10'													
12'													
14'													
16'													
18'													



Draper, Inc. | 411 S. Pearl St. Spiceland, IN 47385
draperinc.com | 765.987.7999 | 800.238.7999

© 2023 All Rights Reserved | FORM: FlexShadeXL_Sub23

PROJECT: _____

ARCHITECT: _____

CONTRACTOR: _____

SUPPLIER: _____

DATE: _____ REVISED: _____

Specifications

Motorized Operator:

ALTUS RTS 120V AC RADIO TECHNOLOGY ELECTRIC OPERATOR: Drive unit inside roller, 3-wire, instantly reversible, lifetime lubricated. Right-hand motor location standard. Left-hand available. Adjustable limit switches, thermal overload protector and electric brake. Operates on 110-120V AC 1HP 60 Hz current. Draws 1.6 amps.

ALTUS 120V AC ELECTRIC OPERATOR: Drive unit inside roller, 3-wire, instantly reversible, lifetime lubricated. Right-hand motor location standard. Left-hand available. Adjustable limit switches, thermal overload protector and electric brake. Operates on 110-120V AC 1HP 60 Hz current. Draws 1.6 amps.

FOR CONTROLS, SEE INTELLIFLEX® CONTROLS REFERENCE SHEET AND INTELLIFLEX® CONTROLS PLANNING SHEET.

Hardware:

ROLLERS: 2.364" (60 mm) dia. Aluminum with 0.049" (1.245 mm) wall; or 3.07" (78 mm) dia. Steel with 0.049" (1.245 mm) wall; with galvalum coating.

HEADBOX: Two-piece extruded aluminum headbox shall be 5" (127 mm) tall x 5" (127 mm) deep. Silver, black, white, ivory, sand, or bronze powder coat finish.

HEM BAR: 7/8" (22 mm) steel tube outer diameter. Plastic end plug color to match headbox.

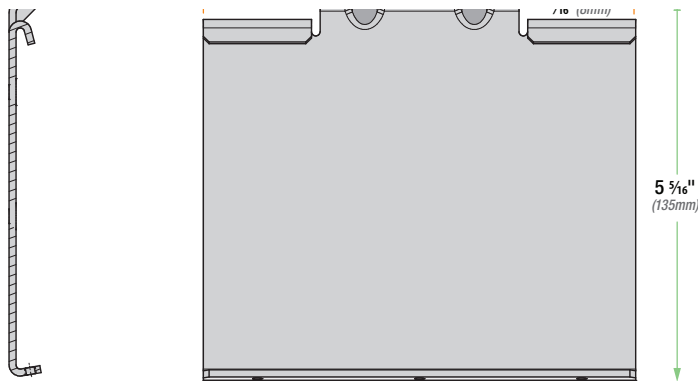
PATENT INFORMATION: available at www.draperinc.com/legal/patents

DOWNLOADABLE 3-PART SPECIFICATIONS: available at www.draperinc.com.

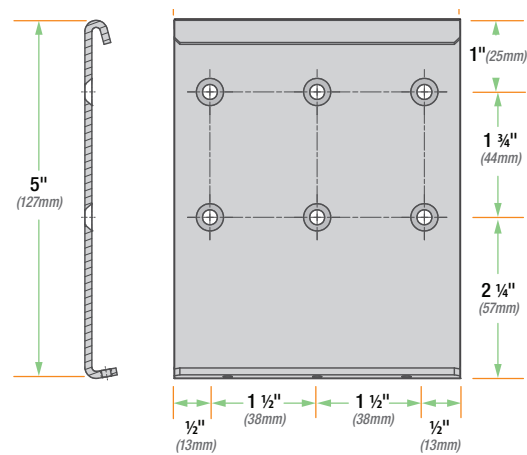
Please note: Dimensions of rollers, operators, and hardware at manufacturer's discretion.

Hardware Selections

Ceiling Mounting Bracket (ZIP 127 only)



Wall Mounting Bracket

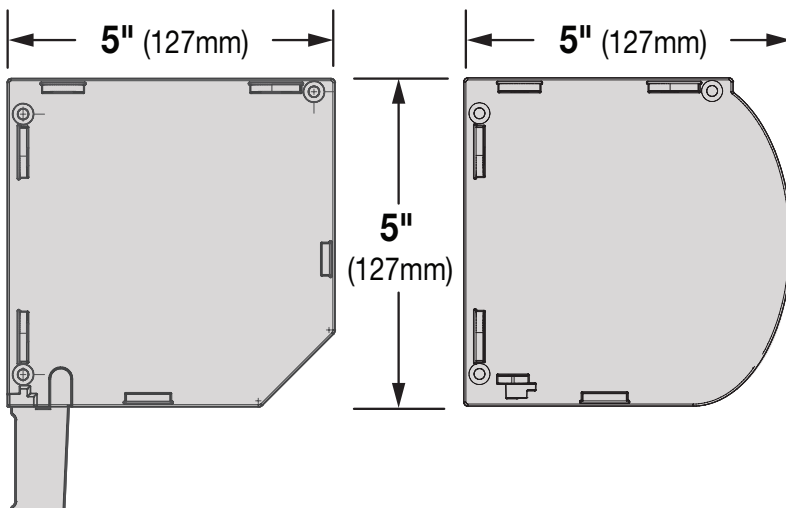


Please note: Mounting brackets attach to surface with #10 Flat Head Screw

Headbox Options

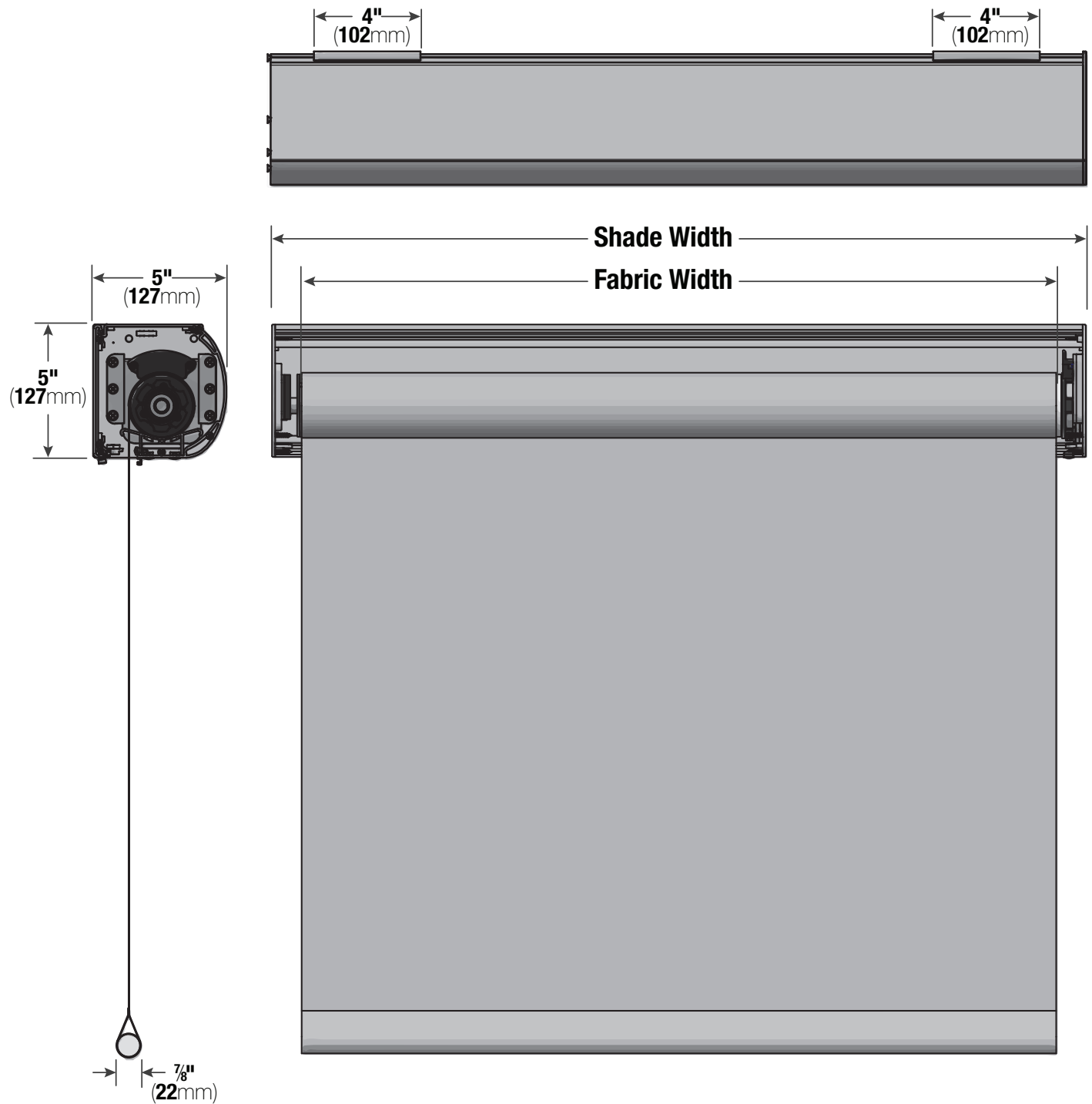
ANGLED HEADBOX

CURVED HEADBOX



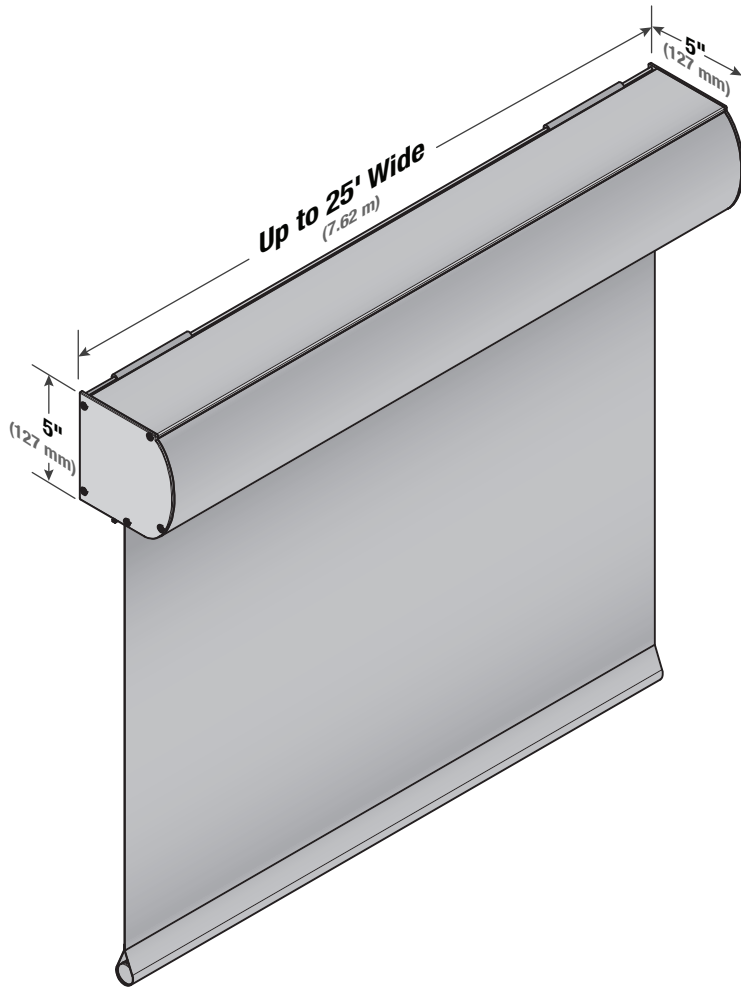
Dimensions

Fascia Overall Width includes plastic endcap covers. Pair adds $\frac{1}{8}$ " (3mm) to Overall Width of Small Hardware; $\frac{3}{16}$ " (5mm) to Overall Width of Large Hardware).

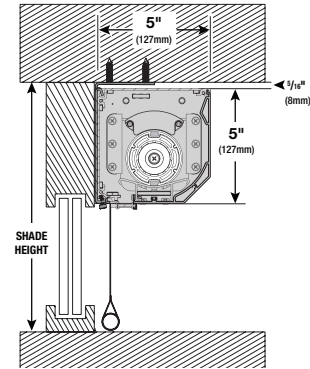


Please note: Hardware and Headbox dimensions are indicated on page 2

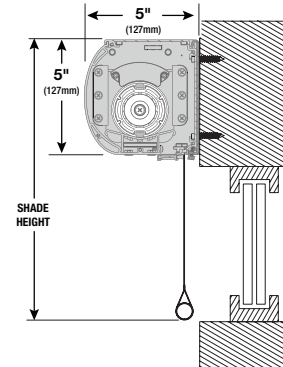
FlexShade Components



FLEXSHADE XL ANGLED HEADBOX
Ceiling Mount Shown



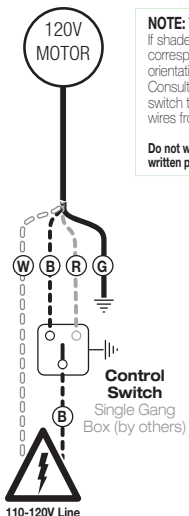
FLEXSHADE XL CURVED HEADBOX
Surface Wall Mount Shown



Wiring Diagrams

Controls & System Overview

Sonesse® 120VAC Motors



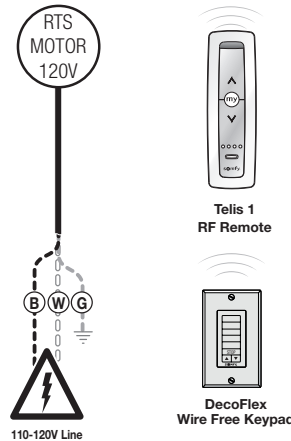
NOTE: Test shade operation
If shade direction does not correspond with the switch orientation, turn power off. Consult a licensed electrician to switch the red and black wires from the motor to the switch.

Do not wire motors in parallel without written permission from Draper®.

Dashed Wiring
by Electrician

Controls & System Overview

Sonesse® RTS 120VAC Motors



Dashed Wiring
by Electrician