

FlexShade® ZIP XL

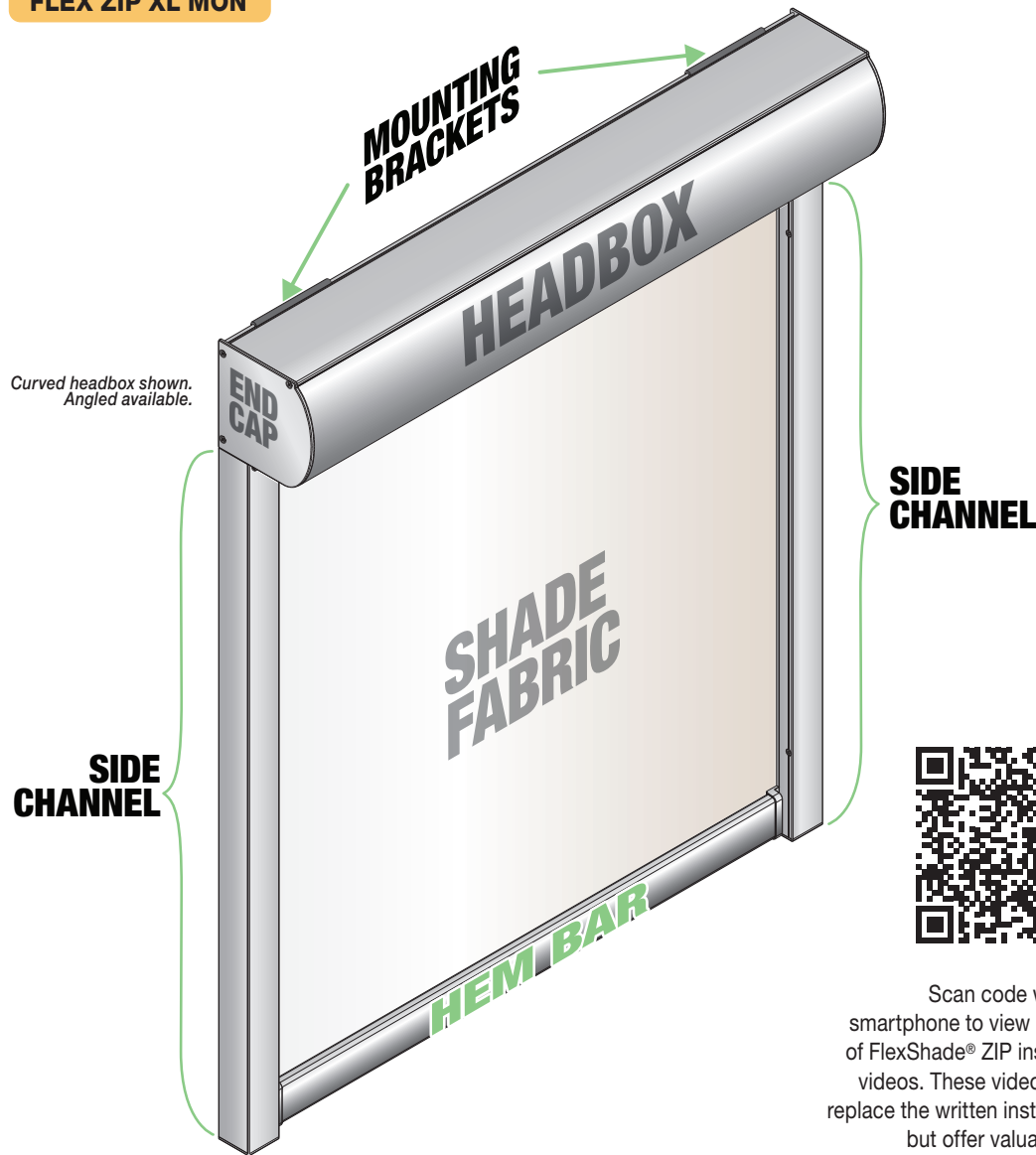
XL outdoor shading system, ZIP detail creates weather/shading barrier that protects against wind, sun, snow, and insects to maintain a comfortable space



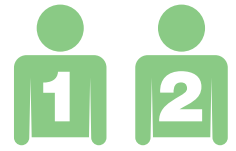
INSTRUCTIONS INSTALLATION & OPERATION

Overview - Components

FLEX ZIP XL MON



PERSONNEL REQUIRED



TOOLS REQUIRED



Scan code with your smartphone to view a playlist of FlexShade® ZIP installation videos. These videos do not replace the written instructions, but offer valuable help.

CAUTION
Read and understand all warnings before beginning installation.

Contents

Overview - Components.....	1	Section 7 - Channel Adaptors (Optional Hardware)	7
PLEASE READ - Important Safety & Installation Information, Cleaning and Maintenance	2	Section 8 - Limit Setting: RTS Obstacle Detection Motors.....	8
Section 1 - Site Preparation	3	Section 9 - Limit Setting: Standard and Quiet Motors.....	9
Section 2 - Mounting Headbox with Brackets.....	3	Section 10 - Complete Electrical Connection	9
Section 3 - Mounting Headbox in a Recessed Pocket (Optional)	4	Section 11 - Hem Bar Liner (Optional)	10
Section 4 - Installing Side Channels: Preparation.....	4	Section 12 - Anti-Insect Brush Seals (Optional)	10
Section 5 - Attaching Side Channels to Headbox.....	5	Section 13 - Cable Exit.....	10
Section 6 - Mounting Headbox & Side Channels in Recessed Pockets.....	6	Section 14 - Dimensions.....	11
		Section 15 - Component Dimensions	12

If you have any difficulties installing or servicing your FlexShade ZIP XL, call your dealer or Draper, Inc.



PLEASE READ - **Important Installation Information****⚠ Caution:**

1. Inspect all boxes to make sure you have received the proper shades and parts. Controls may be shipped separately, or in same carton as shades.
2. Open cartons lengthwise, taking care not to cut into cardboard shipping container.
3. Before mounting shades, verify measurements on label provided with shade, and ensure unit is installed at correct width.
4. All endcaps, fascia, headbox, and other hardware must be installed level. Shades must be level and square.
6. **Read the following installation guidelines thoroughly and follow them carefully. Failure to do so may cause product to fall or otherwise fail, and invalidates warranty.**
7. **Installer is responsible for selecting mounting hardware appropriate for site conditions.**

PLEASE READ - **Safety Information****Important Safety Information****WARNING****Important Safety Information**

Improper installation and use of the FlexShade® ZIP XL can result in serious injury or death. Primarily, injuries can occur if the unit falls due to imprecise installation, mishandling of the unit during installation, or installation on an insufficient wall or ceiling structure. Please use extreme care.

1. Please read the following installation guidelines thoroughly and follow them carefully. Failure to do so may cause product to fall or otherwise fail, and could result in serious injury.
2. Installation and calibration of the unit should only be performed by an authorized, qualified, and experienced professional. In particular, electrical work and wiring [indicated in diagram by dashed lines] must be completed only by a qualified professional electrician who has read this manual completely and is familiar with the construction and operation of this equipment and the hazards involved.
3. Do not affix the unit to wall or ceilings that have inadequate strength to permanently hold the unit during use. It is the owner's and installer's responsibility to confirm the wall or ceiling to which the unit attaches is sufficient to permanently hold the weight and stress loads of the unit at all times. Draper®, Inc., is not responsible for improper installation, application, testing, or workmanship related to the product at place of installation.
4. It is the installer's responsibility to make sure appropriate fasteners are used for mounting.
5. All brackets, fascia, headboxes, pockets, wall clips, and other hardware must be installed level. Unit must be level and square.
6. Never leave the area while operating the unit during installation, maintenance, or normal operation, unless it is secure and safe.
7. Before testing or operation, carefully inspect the entire area and path of the shade and areas underneath the shade to be sure no persons or objects are in the area.
8. Turn off power and any nearby equipment or cables carrying electricity before connecting switches, wires, controls, or electrical components.
9. Make sure the limit switches are pointed down or accessible when placing the motor in brackets/endcaps.
10. All motors should be tested and limits set using test cord before shades are wired.
11. Do not wire motors in parallel without written permission from Draper, Inc.
12. During testing or operation, carefully watch the surrounding area for any potential safety concerns including nearby persons or objects.
13. Do not use an extension cord. If the power supply cord is too short, have a qualified electrician install an outlet near the drapery operator.
13. After installation, the entire system, including all sensors, should be carefully tested to ensure safe and normal operation. Extreme care should be taken during testing to remain clear of moving parts to avoid possible injury.
14. Operation of unit should be performed only by authorized and qualified personnel, who have been trained in the safe and effective operation of the unit and understand its safety features.
15. The safety features of the unit, including sensors, should never be disabled, bypassed, or overridden. The system should not be operated until all safety features, including the sensors, are properly and completely installed, calibrated, and tested.
16. Unit may need to comply with local, state, or district rules and regulations, in particular when installed in schools. All applicable rules and regulations should be reviewed before installation and use.
17. Failure to precisely follow installation guidelines invalidates all warranties.
18. Custom products/installations may not be reflected in this manual. Call Draper, Inc., if you have questions about the installation of custom products or any questions about your installation.

Before Beginning Installation

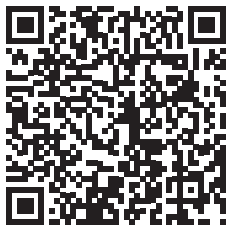
1. Look for any job site conditions that could interfere with installation or operation of the system.
2. Read carefully and be sure to understand all installation instructions and all related operations manuals. These instructions are intended to serve as a guide for the installer and owner. They should be followed closely and combined with the expertise of experienced qualified installers. Draper, Inc., is not responsible for improper installation, application, testing, or workmanship related to the product at place of installation. Please retain all instructions for future use.
3. Open cartons lengthwise.
4. Locate and lay out all pieces.
5. Inspect all boxes to make sure you have received the proper shade and parts. Controls may be shipped separately, or in same carton as shade.
6. If you have any difficulties with installing, servicing, or operating your shade, call your dealer or Draper, Inc., 765-987-7999.

PLEASE READ - **Cleaning and Maintenance**

Window covering products manufactured by Draper, when properly installed, should require no operational maintenance or lubrication.

Most standard Draper fabrics may be cleaned at the window by vacuuming with a soft brush attachment. They also may be cleaned by using a sponge or soft cloth and mild solution of warm soapy water. A mild dishwashing liquid is recommended. A clean dry cloth is recommended for the metal finish.

Please Note: Exceptions are GreenScreen Evolve®, GreenScreen Revive®, and Phifer® SW7000 fabrics, which must be cleaned with a dry art sponge.
(GreenScreen Revive® and GreenScreen Evolve® are registered trademarks of Mermet® USA. SheerWeave® is a registered trademark of Phifer® Incorporated.)



Section 1 - Site Preparation

Caution: Before mounting shades, verify measurements on label provided with shade, and ensure unit is installed at correct width.

Please Note: Installer is responsible for selecting mounting hardware appropriate for site conditions.

1. Ensure mounting surface is strong enough to hold unit.
2. Verify unit measurements, ensuring it will fit in the desired location.

Caution: Hem Bar does **not** retract into the Headbox. Provide at least 2¼" (57mm) clearance if mounting over a swinging window or door.

3. Mounting Brackets **MUST** be installed with a gap of 1¾" (44mm) between the Endcap and the Mounting Bracket edge (Fig. 1). Mark wall, jamb, or ceiling. Brackets must be spaced no more than 5' (152cm) apart.
4. Determine which Headbox style is being used (Fig. 2).

Figure 2
HEADBOX STYLES

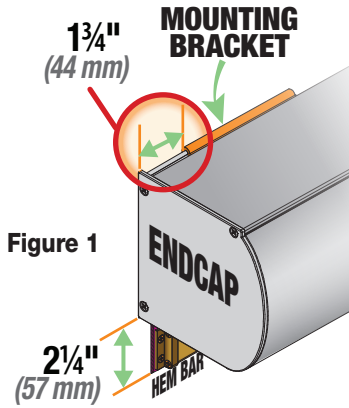
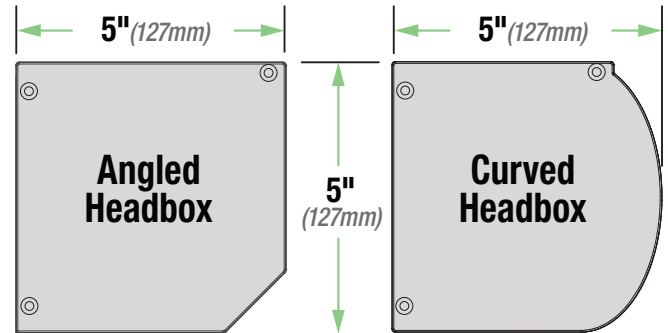


Figure 1



Section 2 - Mounting Headbox with Brackets

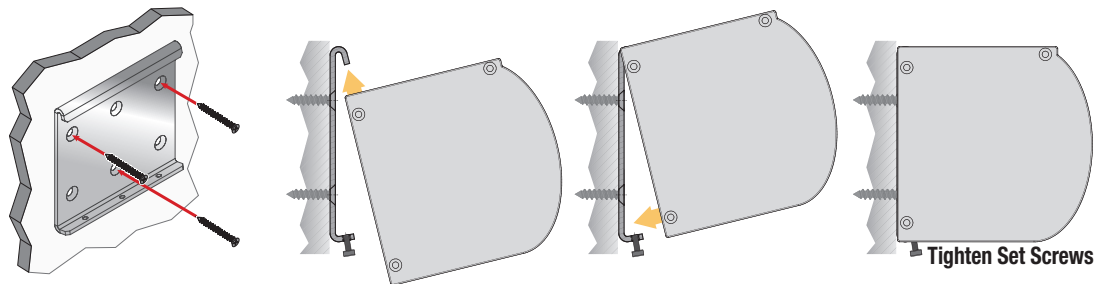
Section 2.1 - Wall Installation

1. Drill small starter holes (if necessary) in mounting surface.
2. Attach Mounting Brackets to the wall using #10 flat head screws installed flush with bracket.

Please Note: Be sure to use AT LEAST 2 of the top mounting holes (Fig. 3-A).

3. Ensure brackets are level and aligned.
4. Attach Headbox to brackets and tighten Set Screws (Fig. 3-A).
5. Mount the Side Channels (Section 3).

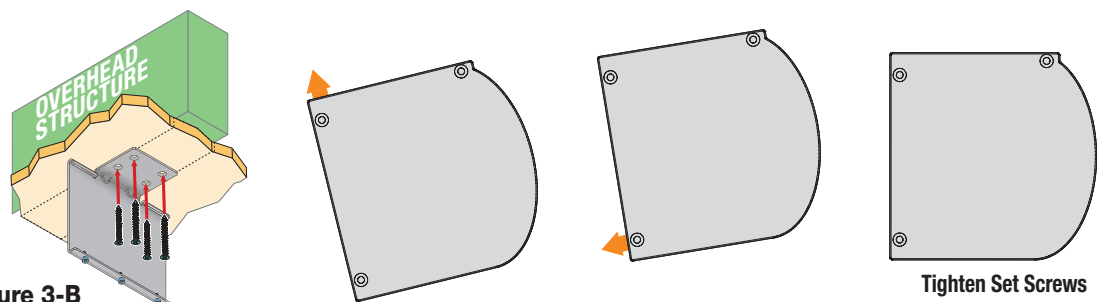
Figure 3-A



Section 2.2 - Ceiling Installation

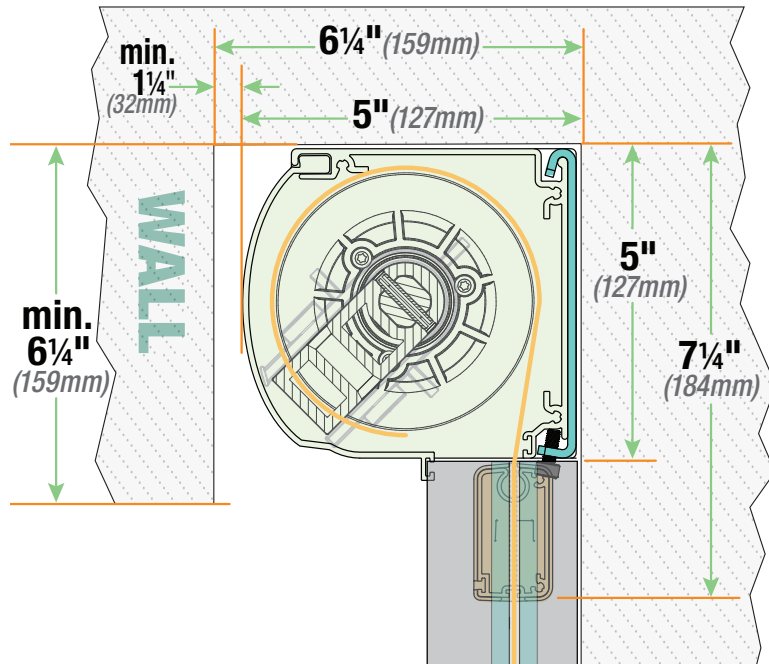
1. Attach Mounting Brackets to ceiling using #10 flat head screws installed flush with bracket. USE ALL FOUR (4) mounting holes (Fig. 3-B).
2. Attach Headbox to brackets and tighten Set Screws (Fig. 3-B).
3. Mount the Side Channels (Section 3).

Figure 3-B

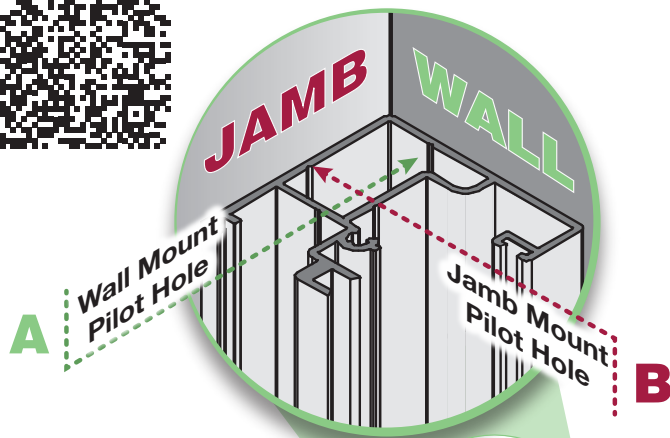


Section 3 - Mounting Headbox in a Recessed Pocket (Optional)

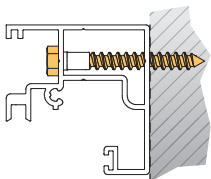
FlexShade® ZIP XL can also be installed in a pocket in ceiling.



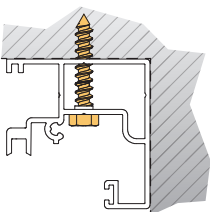
Section 4 - Installing Side Channels: Preparation



A Wall Mounting



B Jamb Mounting

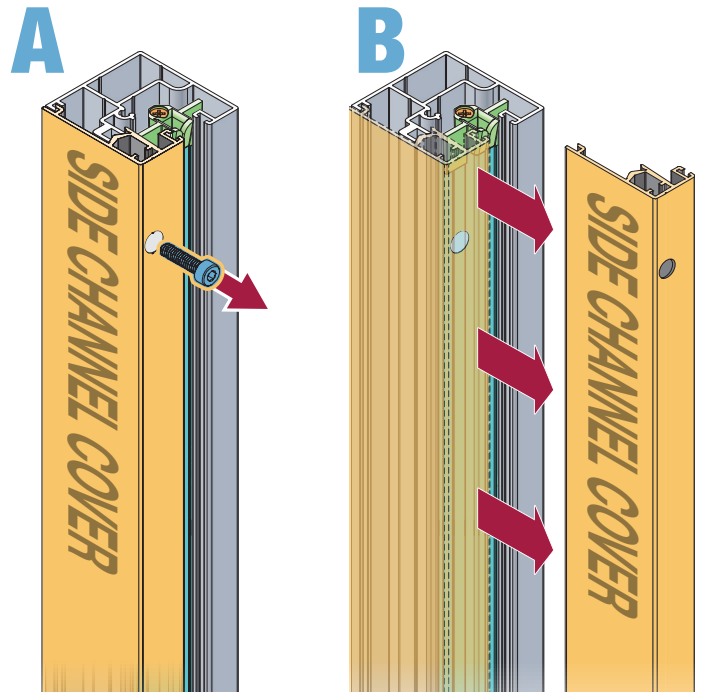


1. Use 1/8" (3 mm) Hex Key to remove Screws from Side Channels and Side Channel Covers.

Please Note: Do NOT remove the Bottom Caps from Side Channels.

2. For jamb mounting, remove the Fabric Retainer Strip. Set aside.

3. Drill Side Channels at desired mounting points.



4. Mark wall or jamb and drill small pilot holes in mounting surface.

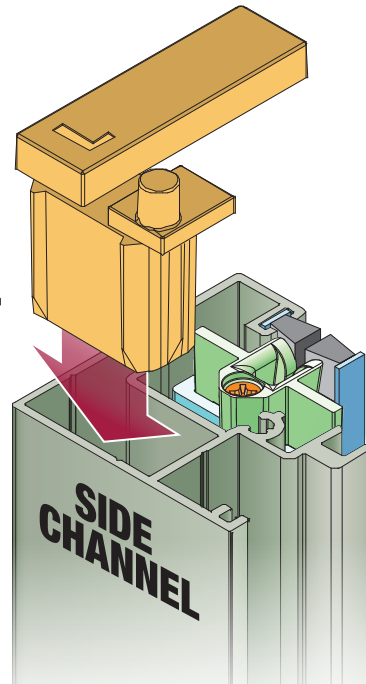
Please Note: Maximum spacing between fasteners is 24" (610mm).

Section 5 - Attaching Side Channels to Headbox

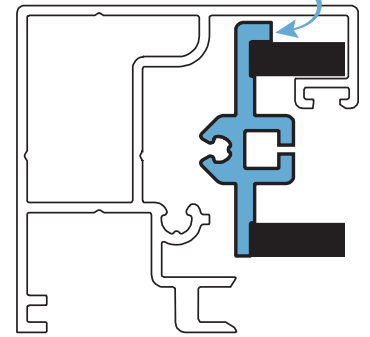
1. Insert Side Channel Guide and Fabric Retainers into Side Channels.

IMPORTANT: Side Channels must be installed parallel, plumb, and square, with a tolerance of $\pm 1/8"$ (3mm).

Insert Side Channel Guide.



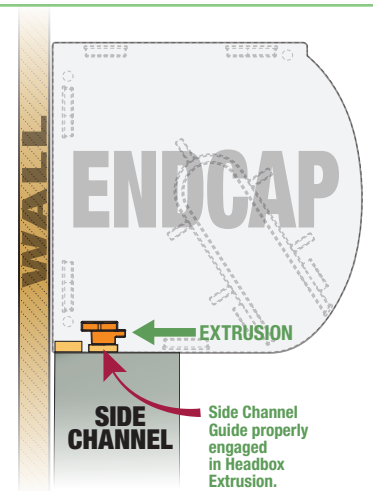
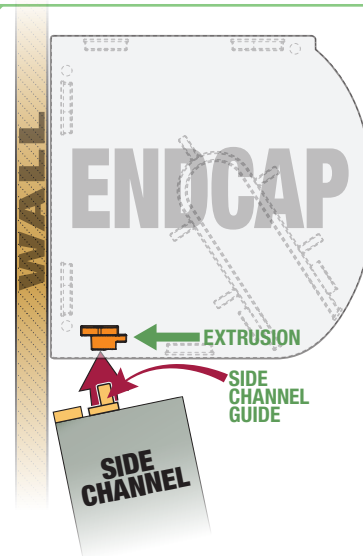
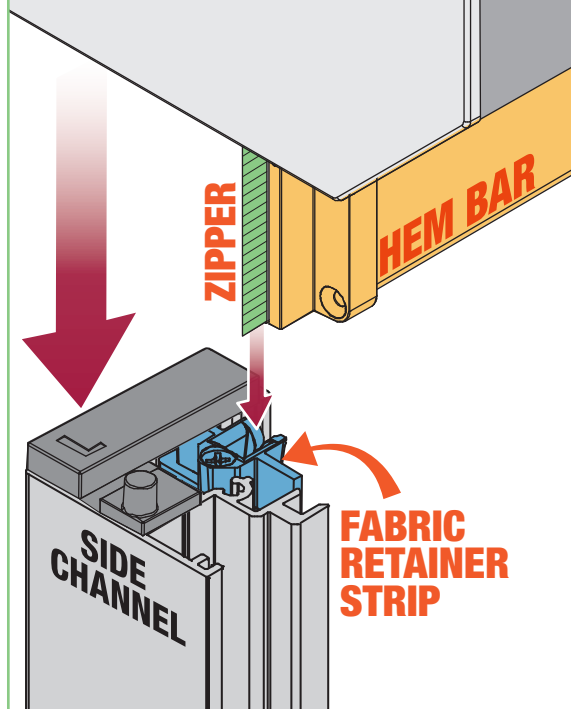
Angled leg of **FABRIC RETAINER STRIP** must be oriented towards back



Side Channel Cross Section

Please Note: Make sure Fabric Retainers go back into Side Channels with Fabric Guide at top of Side Channels and angled leg towards the back.

2. Insert "Zipper" on one side of Hem Bar into Fabric Retainer in Side Channels.



3. With "Zipper" engaged in Fabric Retainer, insert Side Channel guide into bottom of Headbox.

4. Attach Side Channel to mounting surface using appropriate fasteners.

IMPORTANT: Side Channels must be installed parallel, plumb, and square, with a tolerance of $\pm 1/8"$ (3mm).

5. Repeat Steps 2 - 4 for the other Side Channel.

6. Re-attach Side Channel Covers using the screws removed in Step 1.

Please Note: Failure to use provided fasteners to re-attach Side Channel covers may result in product failure in high wind.

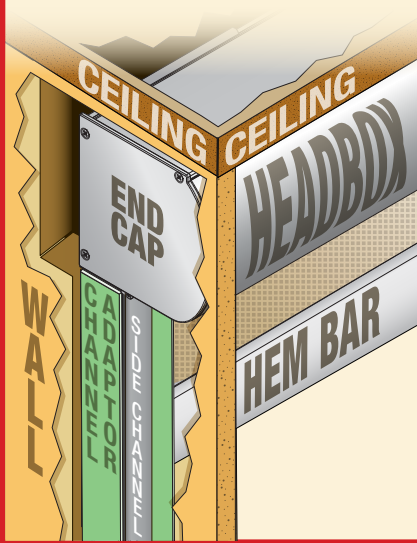
Section 6 - Mounting Headbox and Side Channels in Recessed Pockets (Optional)

Please Note: 2" U Channel Adaptor option **MUST** be ordered for the channel to be included with unit – it is not provided standard. Shade **MUST** be ordered $\frac{1}{8}$ " narrower as well.

Please Note: Be sure to provide adequate clearance for removal of Roller Assembly during installation and maintenance. Minimum depth of ceiling pocket is $7\frac{1}{16}$ (159mm) or sufficient to conceal hem bar.

NOTE:

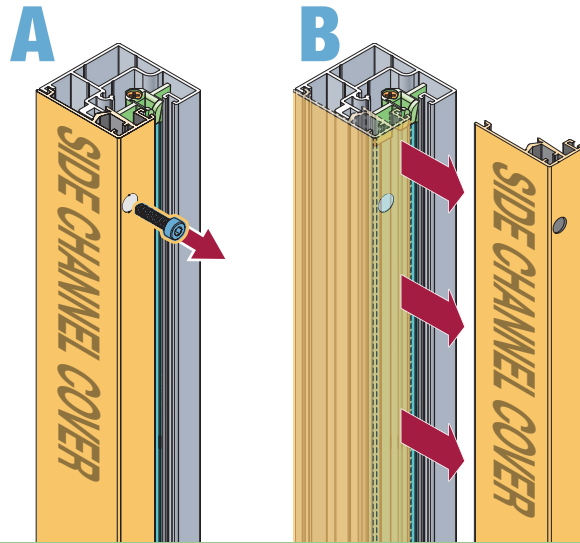
Installer **MUST** provide a recessed pocket at the top of the channel large enough to allow for headbox installation and accommodate hem bar and fascia install/removal. (Section ??)



1. Use a 3 mm Hex Wrench to remove Screws from Side Channels and Side Channel Covers.

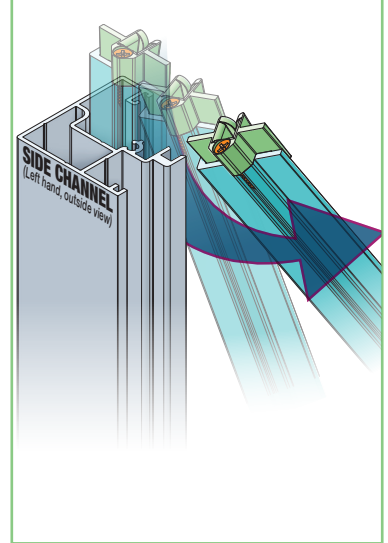
Please Note: Do NOT remove the Bottom Caps from Side Channels.

Please Note: Make note of left & right covers, to match up correctly when re-attaching.



2. Remove Fabric Retainer Strips from Side Channels.

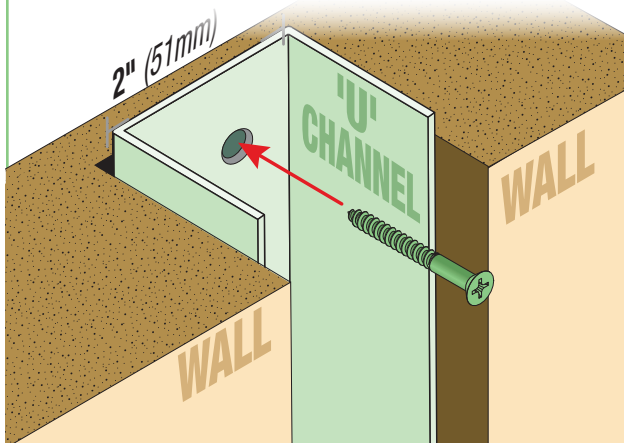
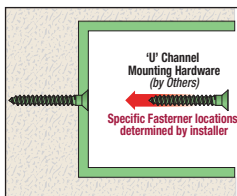
Please Note: Make note of left & right Fabric Retainer Strips, to match up correctly when re-attaching.



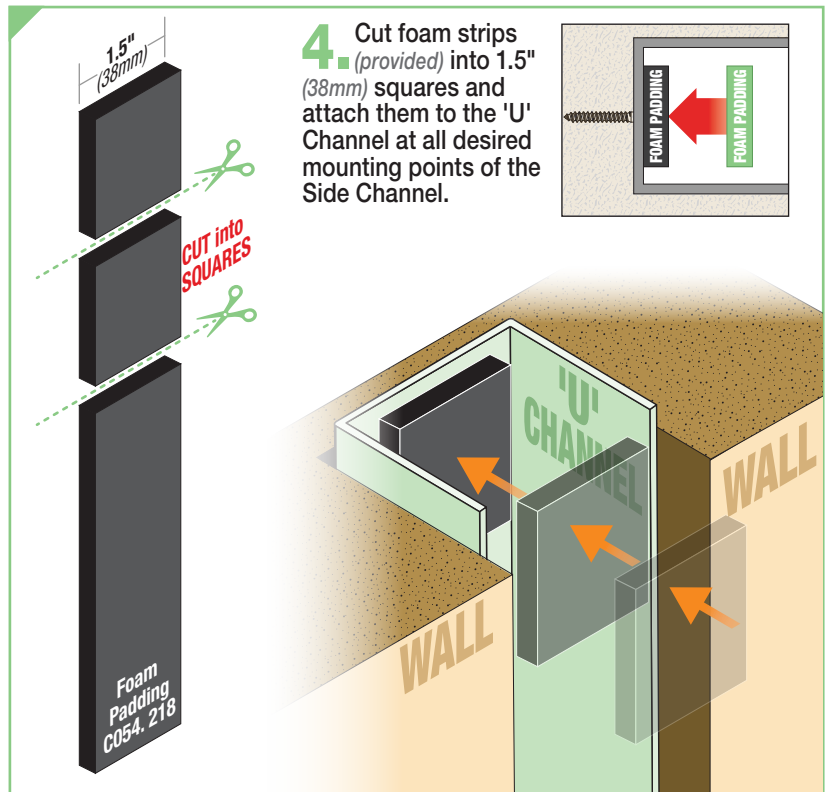
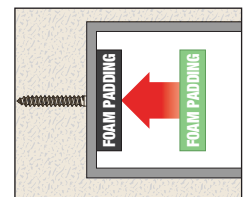
3. Insert provided 'U' Channel into recessed cavity in building structure. Drill mounting holes and secure, using appropriate hardware (by others).

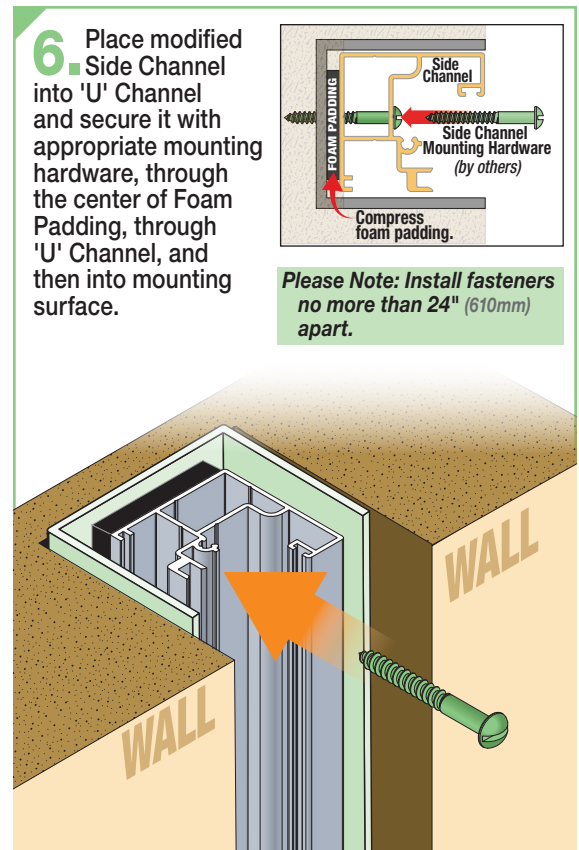
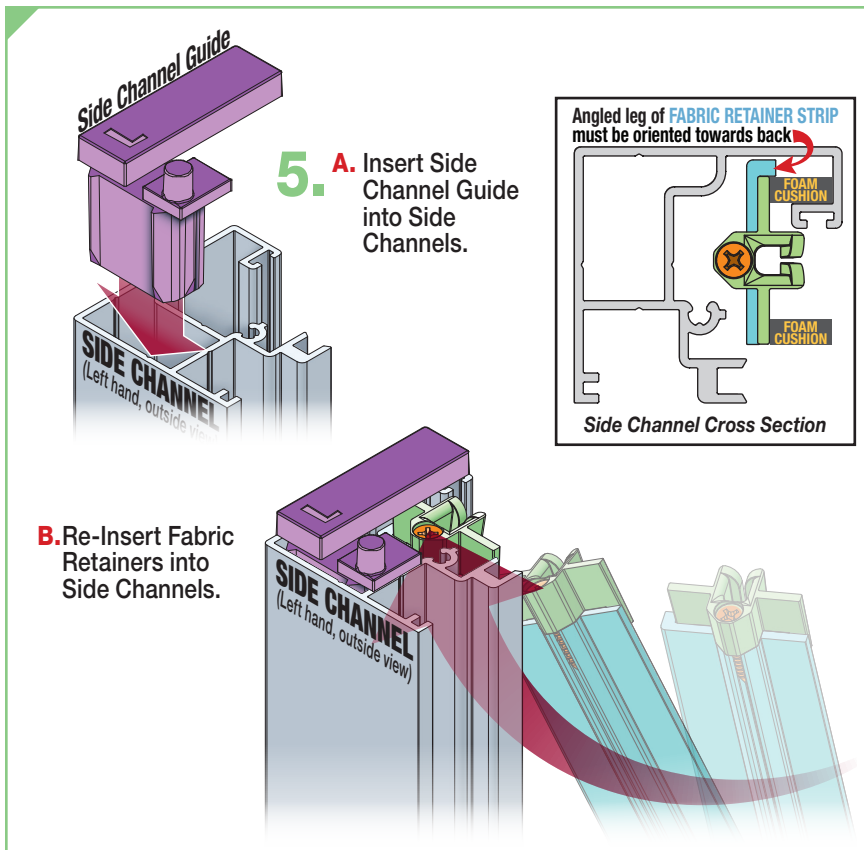
Please Note: Installer is responsible for selecting mounting hardware appropriate for site conditions.

Please Note: Specific Fastener locations determined by installer. Max. spacing between fasteners: 24" (610mm)



4. Cut foam strips (provided) into 1.5" (38mm) squares and attach them to the 'U' Channel at all desired mounting points of the Side Channel.



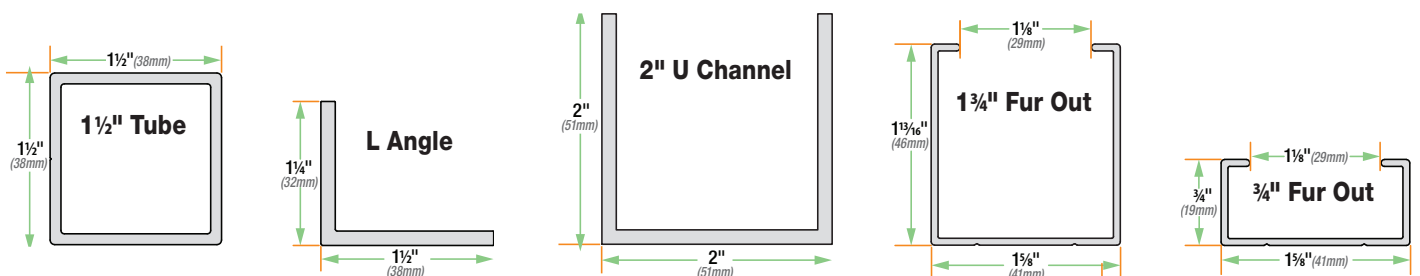
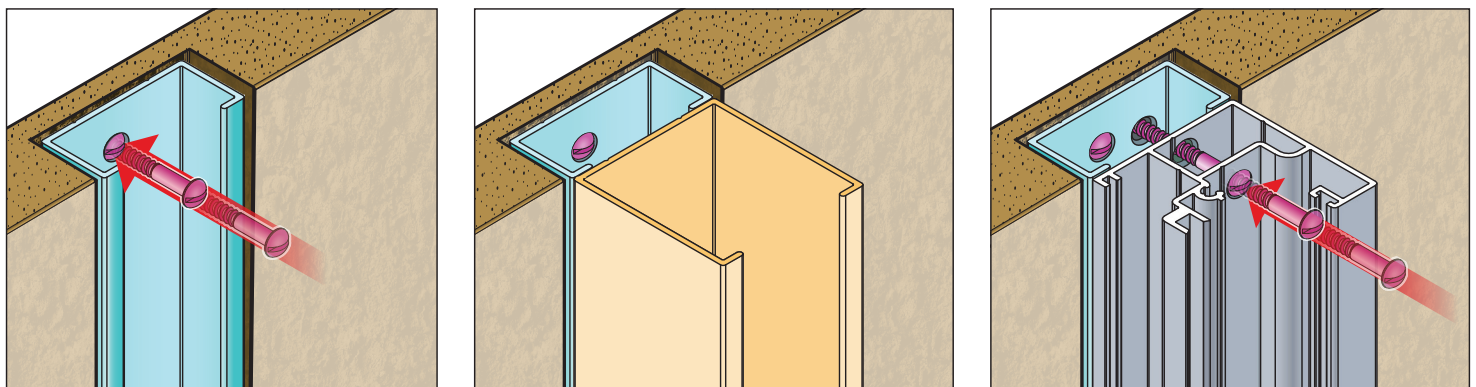


Section 7 - Channel Adaptors (Optional Hardware)

If opening is not suitable for direct mounting due to uneven surfaces, stonework, trim, or other irregular element, use Channel Adaptors to build in or fur out an opening for Side Channel or headbox attachment.

Channel Adaptors can provide a mounting surface for both the Side Channels and headbox. If necessary, installer can "stack" a sufficient number of tubes to bring the opening flush from floor to ceiling.

Use and configuration of Channel Adaptors is site dependent: Each installation may require different adaptors or a combination of adaptors. Installer is responsible for safely and securely attaching Channel Adaptors to prepare each opening for best installation of the product.





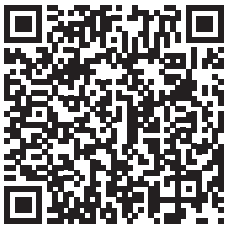
Section 8 - Limit Setting: RTS Obstacle Detection Motors

Programming Instructions

1. Connect power to one motor. Select a transmitter channel to assign motor. Hold UP and DOWN buttons until motor jogs, then release.
2. Check motor direction. To reverse motor direction, hold MY/STOP button for 5 seconds until motor jogs. Check direction again.

Please note: Failure to complete Step 2 before Step 3 can only be corrected with a motor reset (see below).

3. Move motor to upper limit position. Hold MY/STOP and DOWN buttons until motor moves down, then release. Use UP and DOWN buttons to move shade to correct lower limit and press MY/STOP.
4. While motor is at lower limit, hold UP and MY/STOP buttons until motor moves up, then release. The shade should move to upper limit and stop.
5. Next, hold MY/STOP button for five seconds until motor jogs.
6. Put motor into USER MODE by pressing small programming button (Fig. 4) on the back of transmitter until motor jogs.
7. Disconnect power to this motor and move to next motor in installation and start with Step 1.
8. Reconnect motor to power when all motors are programmed.

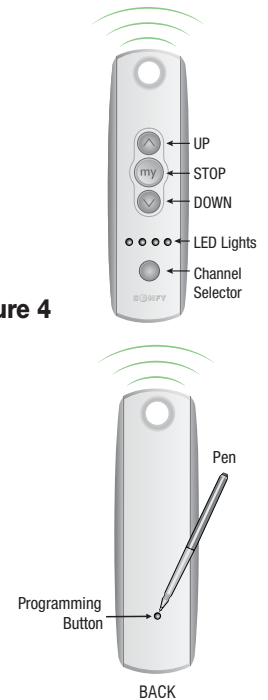


ADVANCED PROGRAMMING:

Setting an Intermediate Stop - Shade MUST BE in USER mode.

1. Move shade to desired mid-point location and hold MY/STOP button until motor jogs.
2. To test, press the MY/STOP button when motor is standing still. The shade will move to that intermediate location.
3. To delete an intermediate stop, go to the intermediate stop and hold the MY/STOP button until motor jogs.

Figure 4



ADVANCED PROGRAMMING: Add a Channel - Shade MUST BE in USER mode.

1. Select channel currently operating motor, then hold programming button until motor jogs.
2. Select new channel to add to motor, then hold programming button until motor jogs.
3. The motor should now work on both the old and new channel.

ADVANCED PROGRAMMING: Delete a Channel - Shade MUST BE in USER mode.

1. Select channel operating motor that you want to keep, then hold programming button until motor jogs.
2. Select channel to remove, then hold programming button until motor jogs. Motor should now only work on channel kept from Step 1.

ADVANCED PROGRAMMING: Adjust Limits in User Mode

1. Move motor to limit (upper or lower) to be changed. Shade must move to previously set limit and will stop automatically.
2. Hold UP and DOWN buttons until motor jogs.
3. Move motor to its new limit location and hold MY/STOP button until motor jogs.

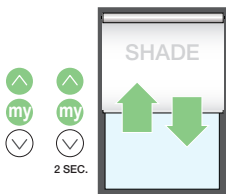
ADVANCED PROGRAMMING: Reset Motor

1. Disconnect power for 5 seconds and reconnect to power for 15 seconds. Disconnect power for 5 seconds, then reconnect to power and leave connected. Shade should roll down a few inches and stop.
2. Hold programming button (see Fig. 4) for 15 seconds. Motor will jog up and down once; pause and then jog a second time. Motor is now reset and ready to be programmed.

ADVANCED PROGRAMMING: Adjusting Obstacle Detection Sensitivity

This function gives the possibility to adjust the obstacle detection during the downward movement to deactivate it or adjust the sensitivity.

1. Starting with shade at the half-way position, press MY and UP briefly and again MY and UP for 2 seconds. The shade jogs.
2. Within 10 seconds press UP or DOWN to change the level of detection. Without feedback within 10 seconds the actuator goes back to USER MODE. Go back to Step 1.

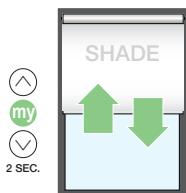


ESD level 0:
The obstacle detection is more sensitive. The shade moves up and down slowly.

ESD level 1:
(DEFAULT) - Obstacle detection is reliable on most zip shades. The shade jogs.

ESD level 2:
Obstacle detection is deactivated. The shade moves up and down slowly.

3. Press MY for 2 seconds to validate the setting. The shade jogs.



Section 9 - Limit Setting: Standard and Quiet Motors

⚠ Caution: Unit ships without limits. Limits will need to be set before the unit is operated. Always be prepared to shut off manually when new adjustment is being tested.

Push Button Limits

1. Fully depress both limit switch push buttons, then operate wall switch to make sure system works properly.
2. Raise shade to desired "UP" stop position.
3. Set upper limit by depressing proper (*back*) push button.
4. Lower shade to desired "DOWN" stop position.
5. Set lower limit by depressing proper (*front*) push button.

Screw-Type Limits

6. Determine which direction of fabric travel corresponds with arrows on motor.
7. Operate shade to desired "down" stop position. Set limit by turning proper socket toward "+" to lower limit, and "-" to raise it.
8. Operate shade to desired "up" stop position. Set limit by turning proper screw toward "-" to raise limit, and "+" to lower it.

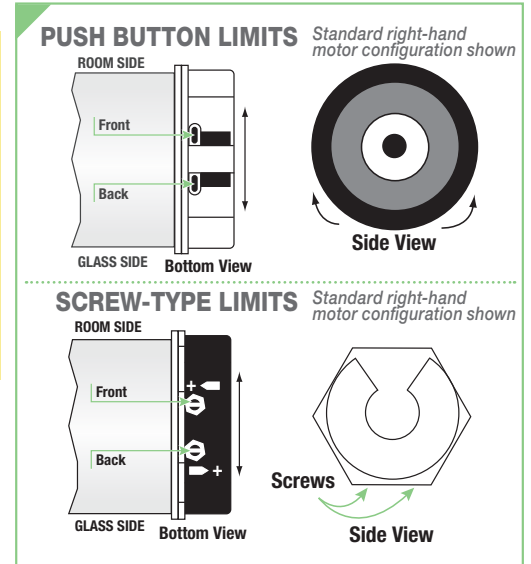
Please Note: Each full rotation of the limit screw equals approximately $\frac{5}{8}$ " (16mm) of shade travel, which may require rotating the limit screw several times.

⚠ Caution: DO NOT allow the hem bar to hit the upper roller or fascia. This will damage the unit.

⚠ Caution: DO NOT allow hem bar to retract into the headbox.

⚠ Caution:

- Be sure all switches are in "off" position before adjusting limit switches.
- Shade may be damaged by running shade fabric up too far and exposing roller.
- If using a group control system, each limit switch must be set prior to connecting to system.
- Motor must be installed so limit switches are pointed up or accessible.



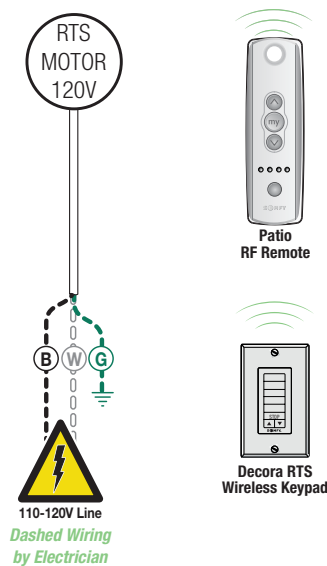
Section 10 - Complete Electrical Connection

Operates on 110-120V, 60 Hz. current. Shade is shipped with internal wiring complete and control switch (*es*) fully boxed, and supplied with a 6' (183 cm) cable lead (*standard*). Longer lead can be substituted by removing two screws in motor end of roller, removing lead, plugging new lead in, and replacing screws. Wire to connect shade to switch (*es*) and switch (*es*) to power supply should be furnished by installer. Connections should be made in accordance with attached wiring diagram, and wiring should comply with national and local electrical codes.

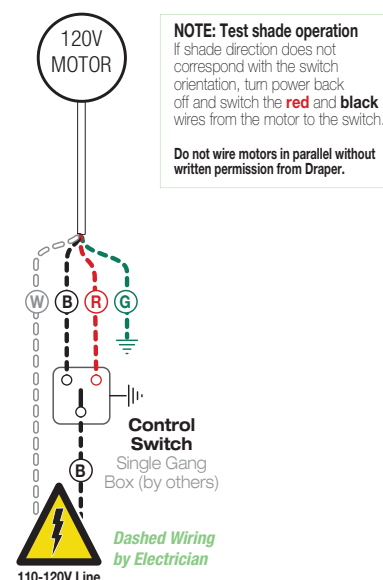
DO NOT wire motors in parallel without written permission from Draper®.

⚠ All operating switches should be "off" before power is connected.

Controls & System Overview Sonesse® RTS 120VAC Motors

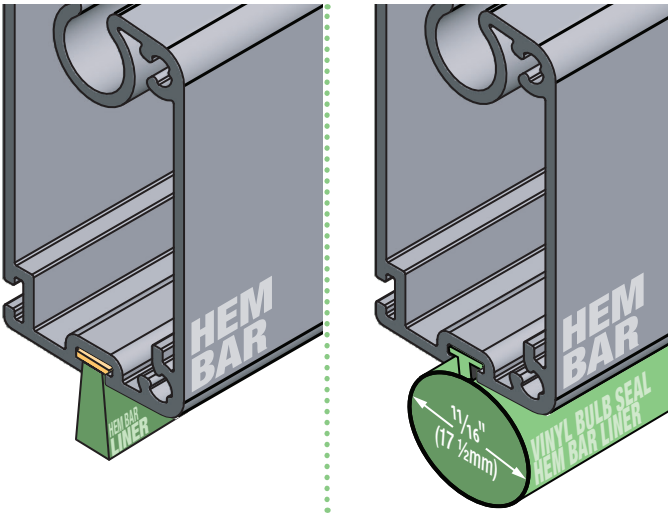


Controls & System Overview Sonesse® 120VAC Motors



Section 11 - Hem Bar Liner (Optional)

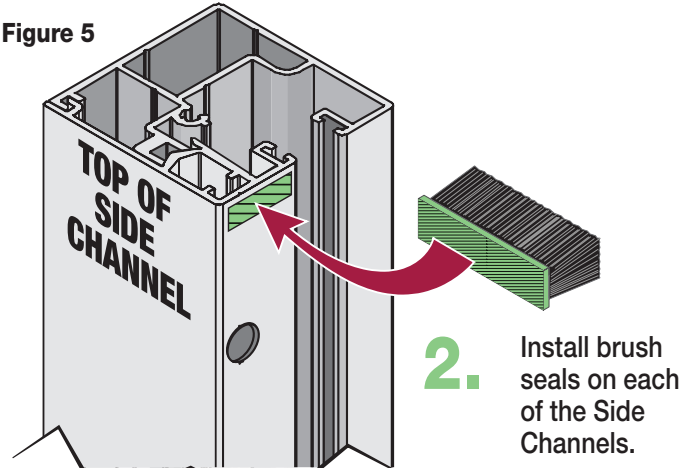
Please Note: Liner is factory installed (if ordered).



Section 12 - Anti-Insect Brush Seals (Optional)

1. Remove the double-sided tape and apply to the Side Channels. (Fig. 5).

Figure 5



Section 13 - Cable Exit

The FlexShade® ZIP XL can be ordered with a cable exit pre-drilled in the top or back of the Headbox. If no Cable Exit is provided, installer must drill a Cable Exit.

Please Note: If no Cable Exit is chosen, the cable is routed through the bottom of the headbox and down the side channel.

1. Remove all 3 screws from the motor end of Headbox
2. Drill a 1/2" (13 mm) diameter hole in one of three locations suggested (Fig. 7-A - 7-C).

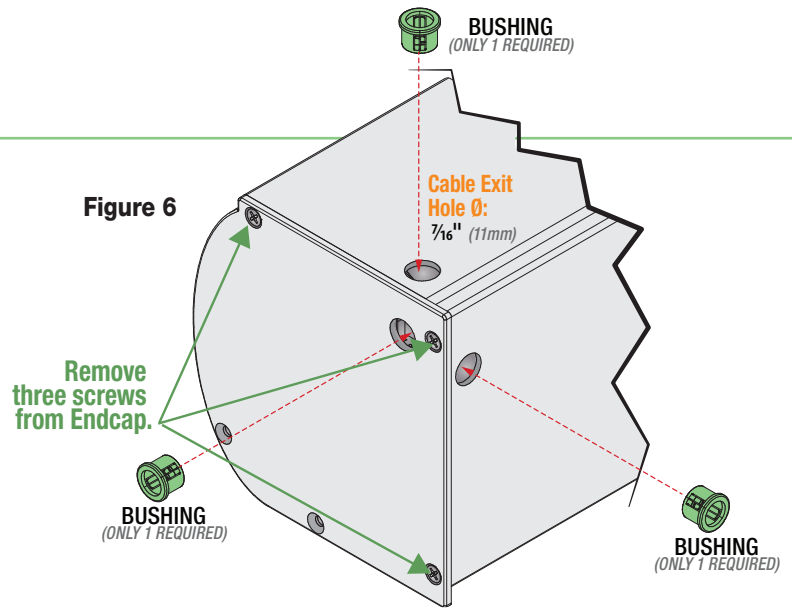


Figure 6

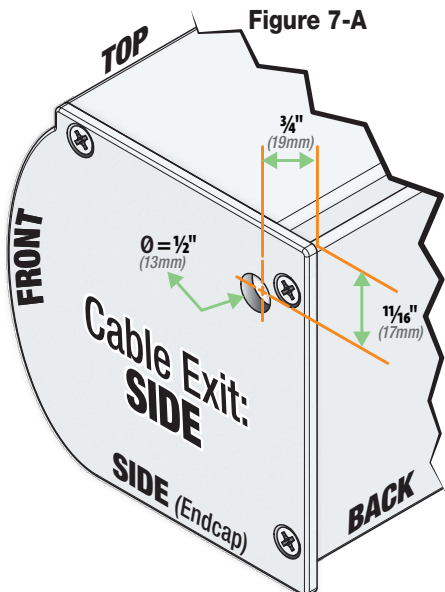


Figure 7-A

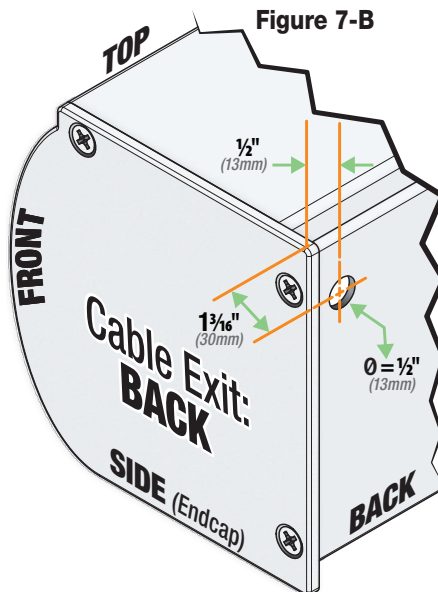


Figure 7-B

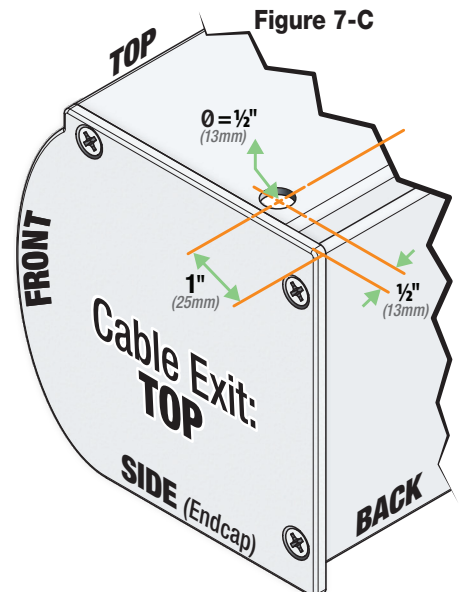
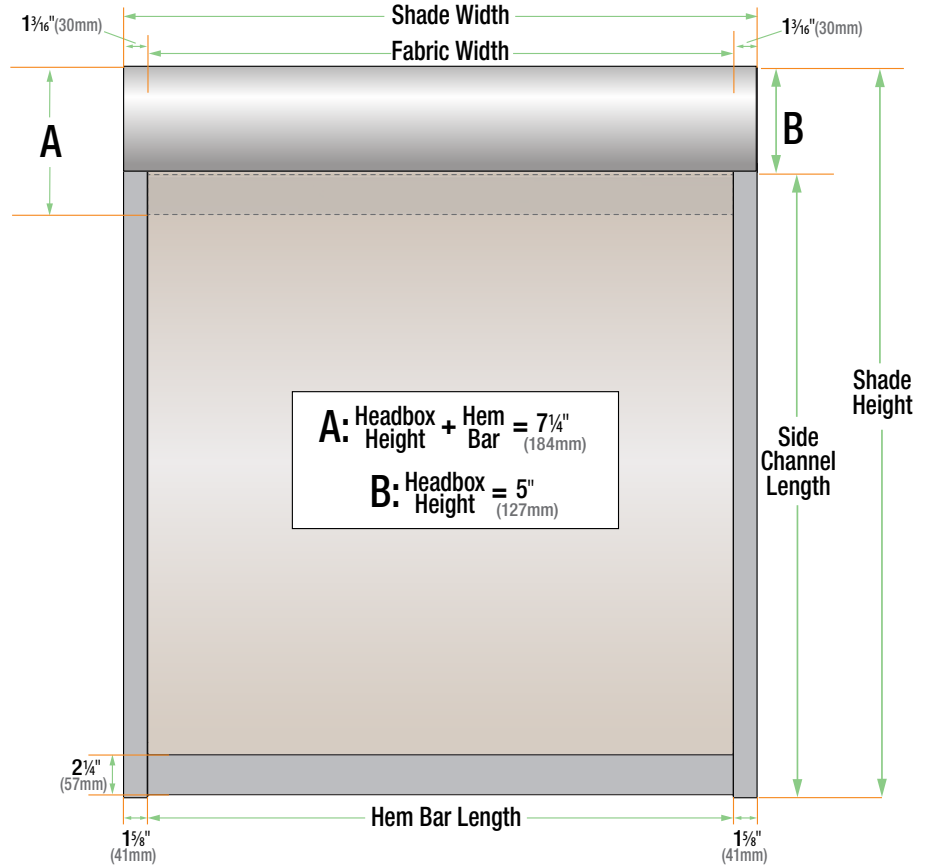


Figure 7-C

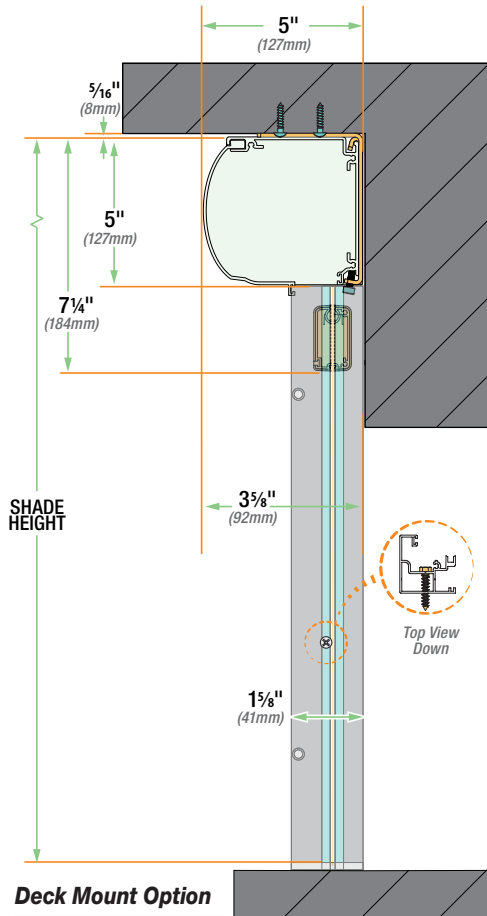
Section 14 - Dimensions

IMPORTANT:

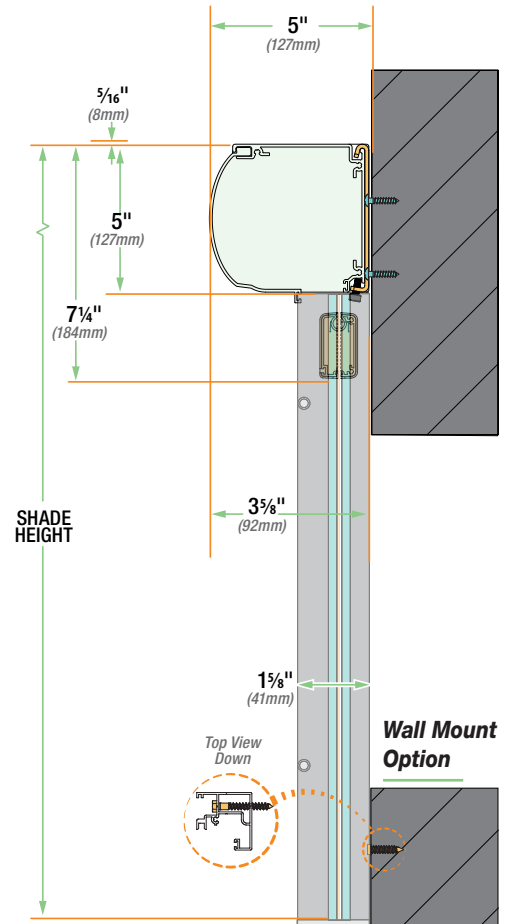
Side Channels must be installed parallel, plumb, and square, with a tolerance of +/- 1/8" (3mm).



Ceiling Mount Option

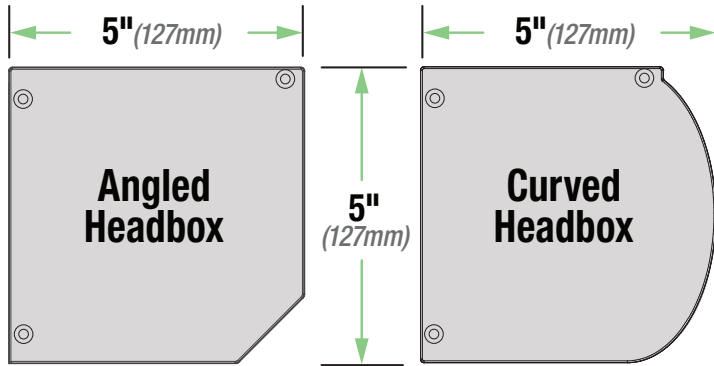


Wall Mount Option

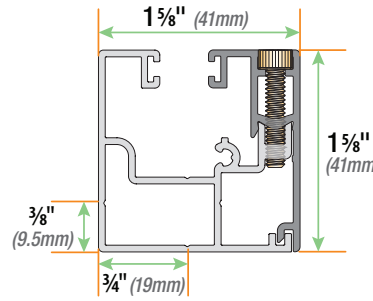


Section 15 - Component Dimensions

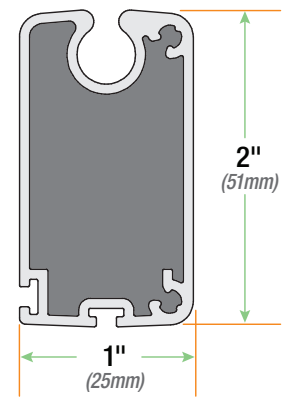
Headbox Dimensions



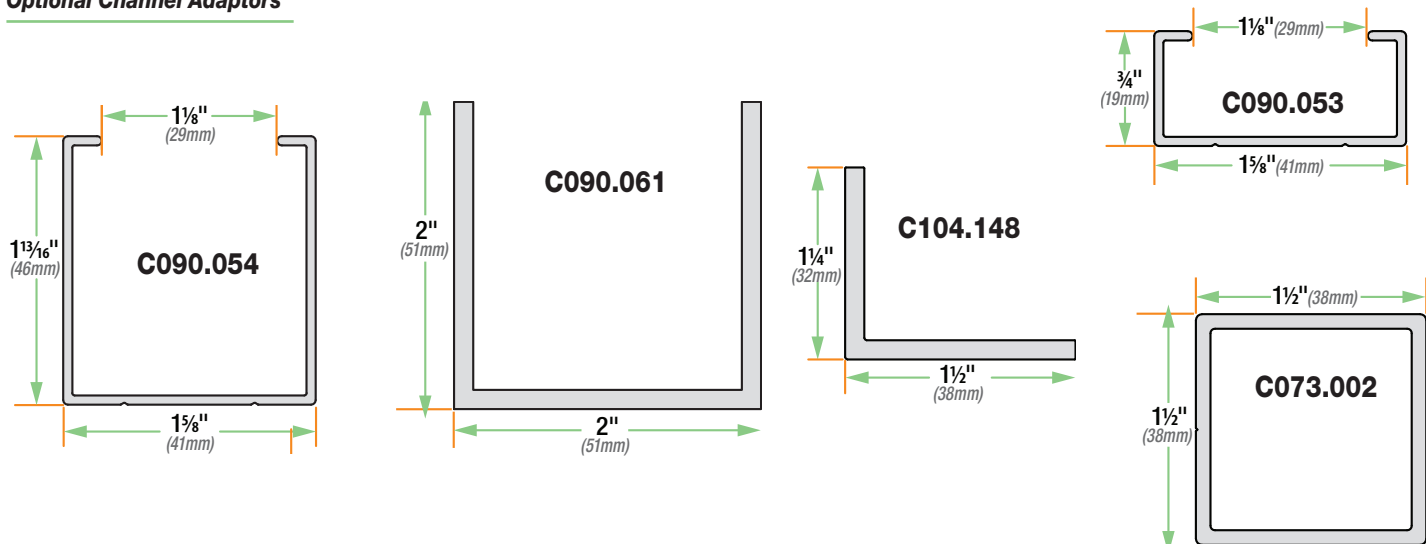
Side Channel Dimensions



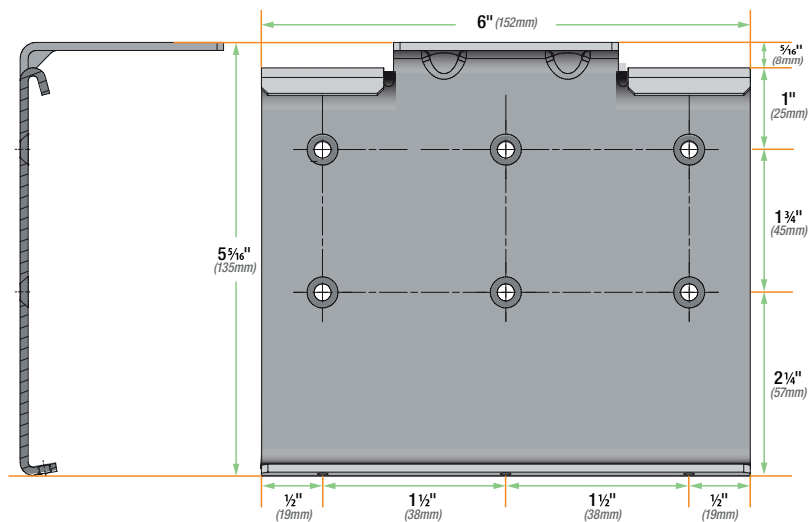
Hem Bar Dimensions



Optional Channel Adaptors



Ceiling Mounting Bracket



Wall Mounting Bracket

