

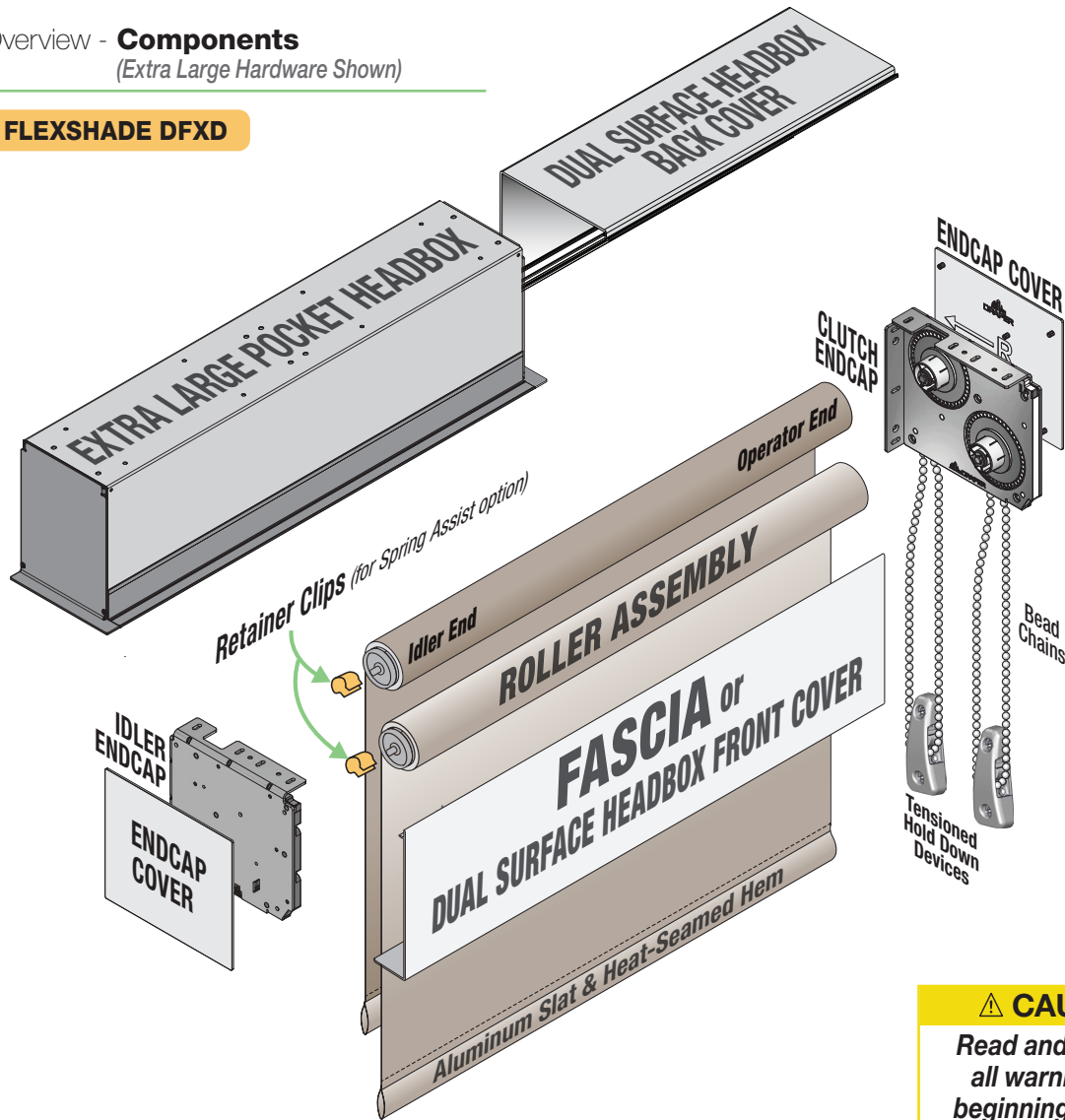
Dual Roller FlexShade® NEXD

Premium, clutch-operated, dual roller window shade

INSTRUCTIONS INSTALLATION & OPERATION

Overview - **Components**
(Extra Large Hardware Shown)

FLEXSHADE DFXD



TOOLS REQUIRED



PENCIL



POWER DRILL



TAPE MEASURE



LEVEL



HARDWARE (by others)



PLIERS

⚠ CAUTION ⚠

Read and understand all warnings before beginning installation.

PLEASE READ - Important Installation Information

⚠ Caution:

- Inspect all boxes to make sure you have received the proper shades and parts. Controls may be shipped separately, or in same carton as shades.
- Open cartons lengthwise, taking care not to cut into cardboard shipping container.
- Before mounting shades, verify measurements on label provided with shade, and ensure unit is installed at correct width.
- All endcaps, fascia, headboxes, and other hardware must be installed level. Shades must be level and square.
- Read the following installation guidelines thoroughly and follow them carefully. Failure to do so may cause product to fall or otherwise fail, and invalidates warranty.
- Installer is responsible for selecting mounting hardware appropriate for site conditions.

Contents

Overview - Components (Extra Large Hardware Shown).....	1	Section 5 - Shade Fabric Roller Mounting (Extra Large Hardware shown)	7
PLEASE READ - Important Installation Information	1	Section 6 - Attaching Fascia	8
PLEASE READ - Safety Information.....	2	Section 7 - Tensioned Hold Down	8
PLEASE READ - Field Adjustments, Cleaning and Maintenance	2	Section 8 - Dimensions: Standard Hardware.....	9
Section 1 - Mounting Endcaps.....	3	Section 9 - Dimensions: Large Hardware, Surface Headbox.....	10
Section 2 - Pocket Headbox Installation.....	4	Section 10 - Dimensions: Standard Hardware, Pocket Headbox	11
Section 3 - Dual Roller Surface Headbox Installation	5	Section 11 - Dimensions: Extra Large Hardware, Pocket Headbox	12
Section 4 - Spring Assist Idler (Standard Hardware shown)	6		

If you have any difficulties installing or servicing your Dual Roller FlexShade® NEXD, call your dealer or Draper, Inc.

PLEASE READ - **Safety Information**

Important Safety Information



WARNING

Important Safety Information

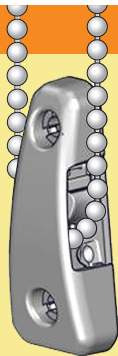
Improper installation and use of the Dual Roller FlexShade® NEXD can result in serious injury or death. Primarily, injuries can occur if the unit falls due to imprecise installation, mishandling of the shade during installation, or installation on an insufficient wall or ceiling structure. Please use extreme care.

1. Please read the following installation guidelines thoroughly and follow them carefully. Failure to do so may cause product to fall or otherwise fail, and could result in serious injury.
2. Installation and calibration of the shade should only be performed by an authorized, qualified, and experienced professional.
3. Do not affix the unit to wall or ceilings that have inadequate strength to permanently hold the unit during use. It is the owner's and installer's responsibility to confirm the wall or ceiling to which the unit attaches is sufficient to permanently hold the weight and stress loads of the unit at all times. Draper, Inc., is not responsible for improper installation, application, testing, or workmanship related to the product at place of installation.
4. It is the installer's responsibility to make sure appropriate fasteners are used for mounting.
5. All brackets, fascia, headboxes, pockets, wall clips, and other hardware must be installed level. Shade unit must be level and square.
6. Never leave the area while operating the shade during installation, maintenance, or normal operation, unless it is secure and safe.
7. Before testing or operation, carefully inspect the entire area and path of the shade and areas underneath the shade to be sure no persons or objects are in the area.
8. During testing or operation, carefully watch the surrounding area for any potential safety concerns including nearby persons or objects.
9. After installation, the entire system should be carefully tested to ensure safe and normal operation. Extreme care should be taken during testing to remain clear of moving parts to avoid possible injury.
10. Operation of shade should be performed only by authorized and qualified personnel, who have been trained in the safe and effective operation of the shade and understand its safety features.
11. The safety features of the shade should never be disabled, bypassed, or overridden. The system should not be operated until all safety features are properly and completely installed, calibrated, and tested.
12. Shade may need to comply with local, state, or district rules and regulations, in particular when installed in schools. All applicable rules and regulations should be reviewed before installation and use.
13. Failure to precisely follow installation guidelines invalidates all warranties.
14. Custom products/installations may not be reflected in this manual. Call Draper, Inc., if you have questions regarding your installation.

Before Beginning Installation

1. Look for any job site conditions that could interfere with installation or operation of the system.
2. Read carefully and be sure to understand all installation instructions and all related operations manuals. These instructions are intended to serve as a guide for the installer and owner. They should be followed closely and combined with the expertise of experienced qualified installers. Draper, Inc., is not responsible for improper installation, application, testing, or workmanship related to the product at place of installation. Please retain all instructions for future use.
3. Open cartons lengthwise.
4. Locate and lay out all pieces.
5. Inspect all boxes to make sure you have received the proper shade and parts. Controls may be shipped separately, or in same carton as shade.
6. If you have any difficulties with installing, servicing, or operating your shade, call your dealer or Draper, Inc., 765-987-7999.

Child Safety Information



To comply with Child Safety Standard ANSI/WCMA A100.1-2022, this product ships with a tensioning device attached to the bead chain. Incorrect installation partially disables the product. When properly fastened to mounting surface, the pre-installed Tensioned Hold Down device for clutch-operated units prevents creation of a hazardous loop by maintaining tension on the bead chain.

WARNING
ADVERTENCIA



Window Blind Cord Can STRANGLE Your Child.
Keep all cords out of children's reach. Shorten cords to prevent reach. Move crib and furniture away - Children can climb furniture to reach cords.
La cuerda de la persiana puede ESTRANGULAR su niño.
Mantenga las cuerdas fuera del alcance de los niños. Acorte las cuerdas para evitar el alcance. Mueva la cuna y los muebles - Los niños pueden subir los muebles para alcanzar cuerdas.



Scan for more information, including short videos on correctly installing the tensioning device, or go to draperinc.com/windowshades/childsafety.

PLEASE READ - **Field Adjustments**

Each Draper Solar Control Shade is tested to ensure proper operation. Even with this testing, some field adjustments may be needed for telescoping.

If the shade is telescoping, place a piece of high quality gaffer tape about 1" (25mm) wide on the exposed roller (where the fabric will cover it) on the side that the fabric will be drawn toward. For example: if the fabric is tracking to the left, place the tape on the right side.

PLEASE READ - **Cleaning and Maintenance**

Window covering products manufactured by Draper, when properly installed, should require no operational maintenance or lubrication.

Most standard Draper fabrics may be cleaned at the window by vacuuming with a soft brush attachment. They also may be cleaned by using a sponge or soft cloth and mild solution of warm soapy water. A mild dishwashing liquid is recommended. A clean dry cloth is recommended for the metal finish.

Please Note: Exceptions are Flocké and Phifer SW7000® fabrics, which must be cleaned with a dry art sponge. SheerWeave® is a registered trademark of Phifer® Incorporated. Flocké® is a registered trademark of Mermet® Incorporated.

Section 1 - Mounting Endcaps

Please Note: If installing Pocket Headbox or Surface Headbox, please install headbox FIRST (Section 2, Section 3).

⚠ Caution: Before mounting shades, verify measurements on label provided with shade, and ensure unit is installed at correct width.

Please Note: Installer is responsible for selecting mounting hardware appropriate for site conditions.

1. Mark surface for placement of endcaps.
2. Drill small starter hole (if necessary) in mounting surface.
3. Snap endcap covers onto endcaps (Fig. 1).

Please Note: If endcap covers have been provided with the shade order, they are included in the width of the shade measurement and **must be used**.

⚠ CAUTION: If installing without a headbox, proceed to Figure 2, below, NOW.

If installing with a Dual Roller Pocket Headbox, proceed to Section 2 NOW.

If installing with a Dual Roller Ceiling/Wall Headbox, proceed to Section 3 NOW.

5. Mount endcaps using appropriate fasteners for surface (Fig. 2).

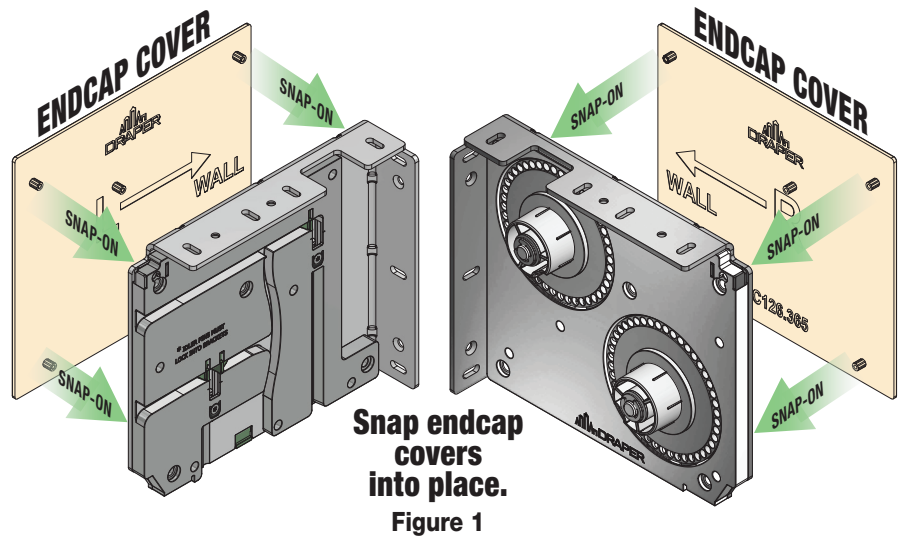


Figure 2-A CEILING MOUNTING

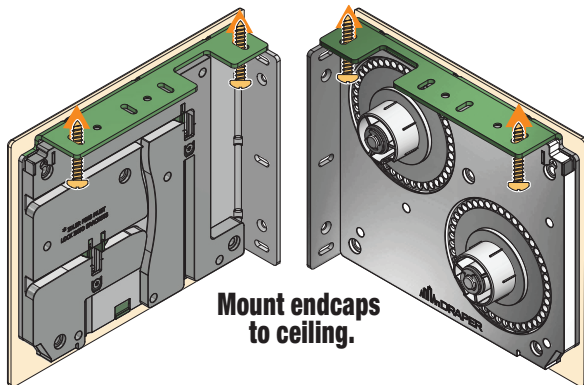


Figure 2-B WALL MOUNTING

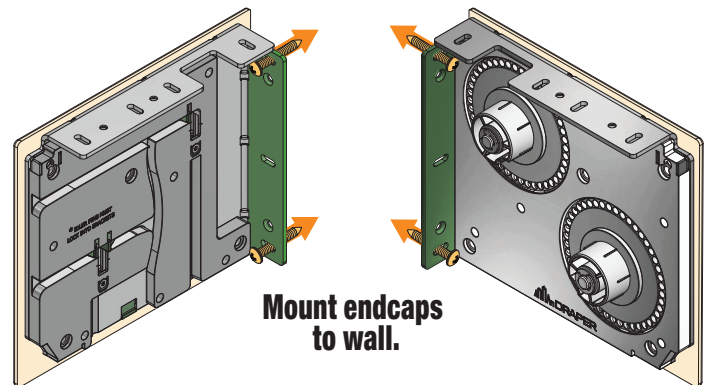
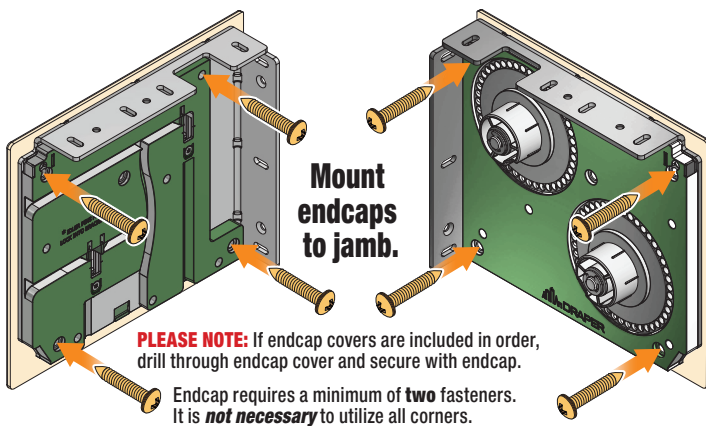


Figure 2-C JAMB MOUNTING



PLEASE NOTE

Endcaps must be fastened securely to mounting surface and cannot move from side to side.

If changes, differences, or measurement errors occur on-site, adjust product by utilizing **slotted** holes in the endcap [A] to adjust for zero gap between the fascia and endcap covers.

Once these adjustments are made, utilize **round** holes [B] to drive additional screws for securing position.

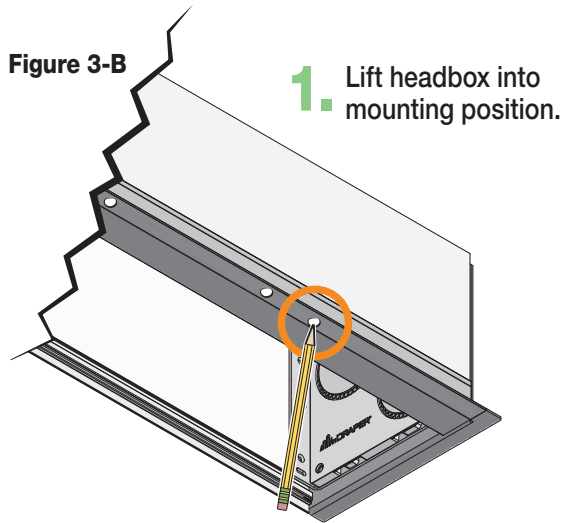
Please Note: If installing shade or shades in an area where misuse is likely, this fastening method should be used.

Section 2 - Pocket Headbox Installation

PLEASE NOTE: Installer must provide adequate clearance for removal of Roller Assembly during installation and maintenance.

PLEASE NOTE: Headbox must be mounted directly to ceiling, or to a continuous blocking that is secured to building structure.

Figure 3-B



1. Lift headbox into mounting position.

2. Mark location of optional pre-drilled pocket mounting holes and endcap mounting holes on top side of headbox on mounting surface.

Figure 3-A

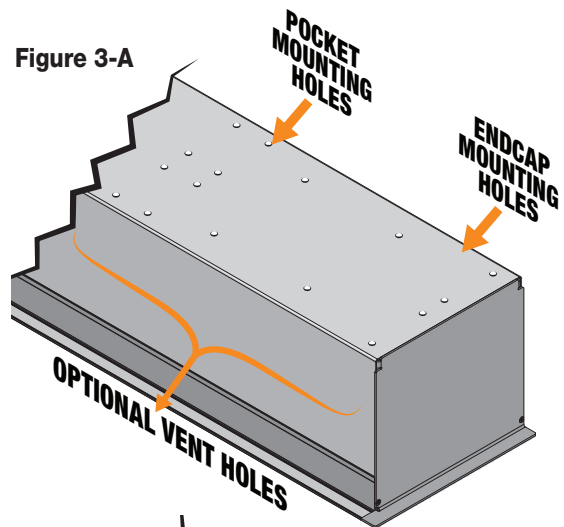


Figure 3-C

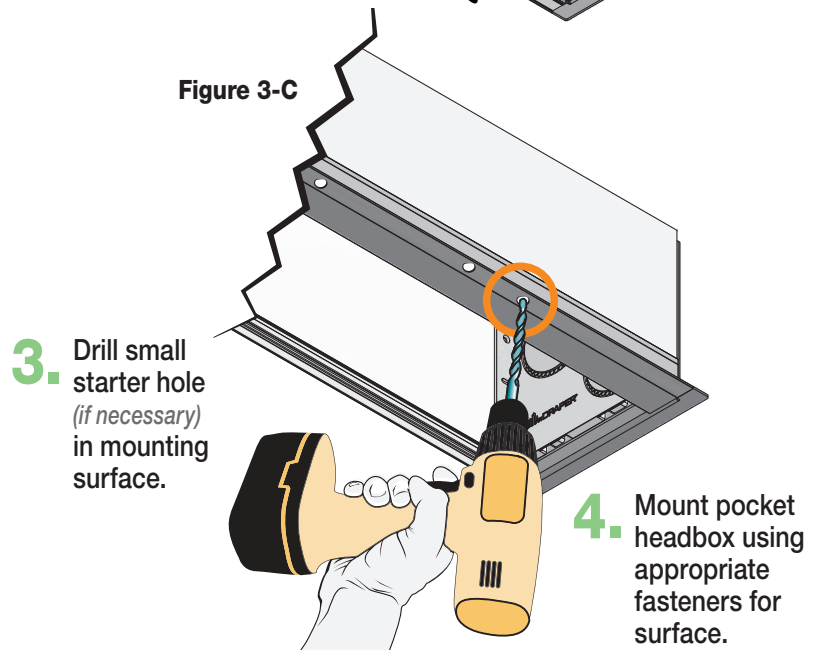
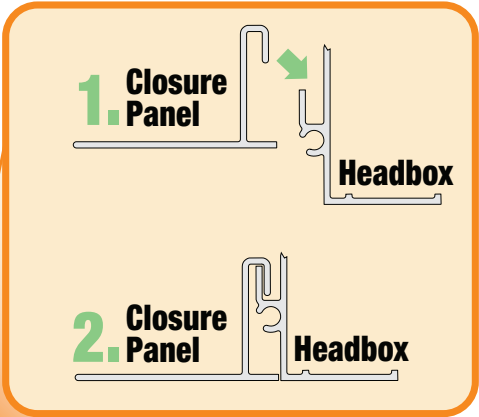
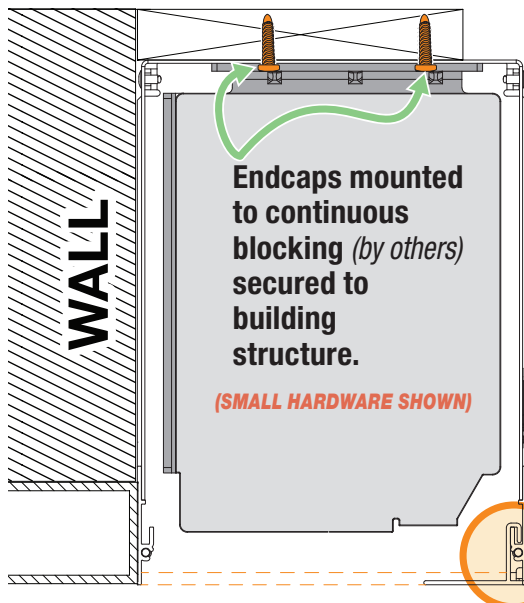


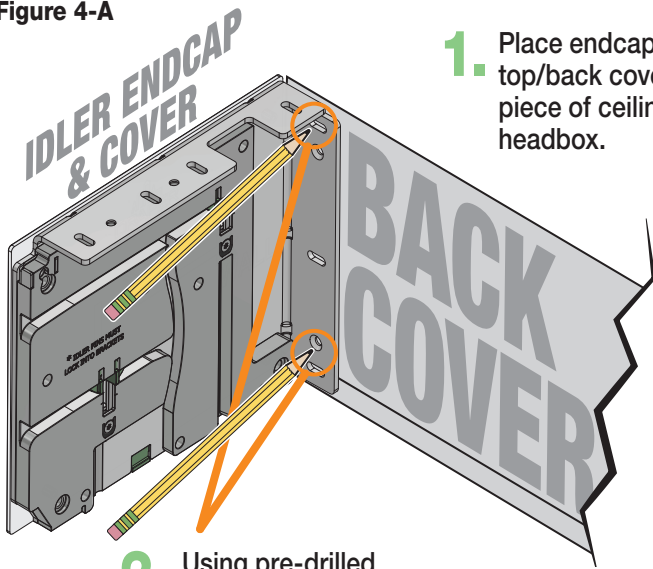
Figure 3-D



5. Mount endcaps using appropriate fasteners for surface (Section 1).
6. Mount pocket closure. (Fig. 3-D).

Section 3 - Dual Roller Surface Headbox Installation

Figure 4-A

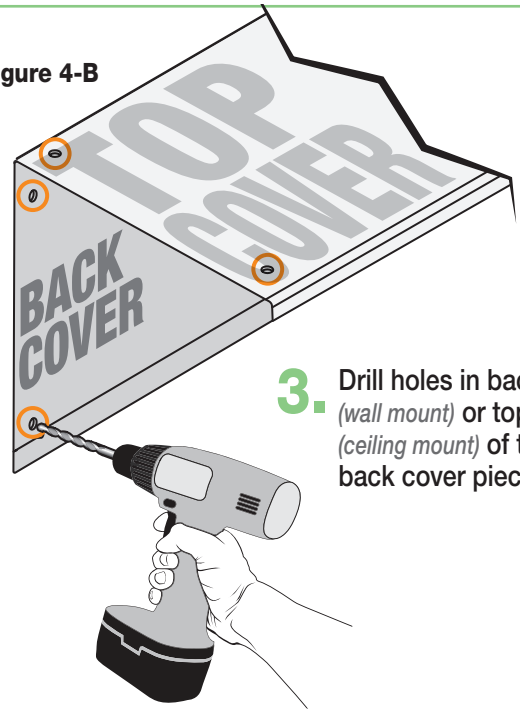


1. Place endcaps into top/back cover piece of ceiling/wall headbox.

2. Using pre-drilled holes in endcaps, mark headbox for drilling.

Please Note: Installer must provide adequate clearance for removal of Roller Assembly during installation and maintenance.

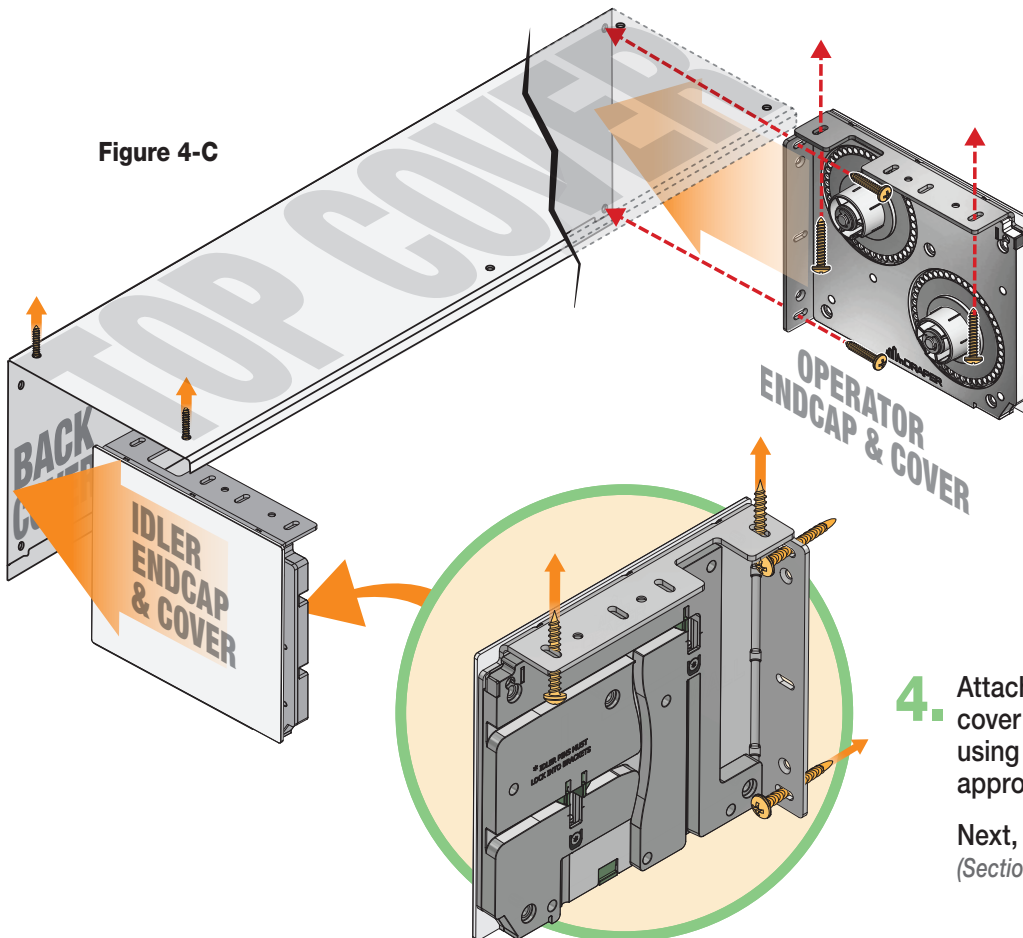
Figure 4-B



3. Drill holes in back (wall mount) or top (ceiling mount) of top/back cover piece.

Please Note: Headbox MUST BE mounted directly to ceiling or wall, or to a continuous blocking that has been secured to building structure.

Figure 4-C



4. Attach endcaps and top/back cover piece to wall or ceiling, using mounting hardware appropriate for site conditions.

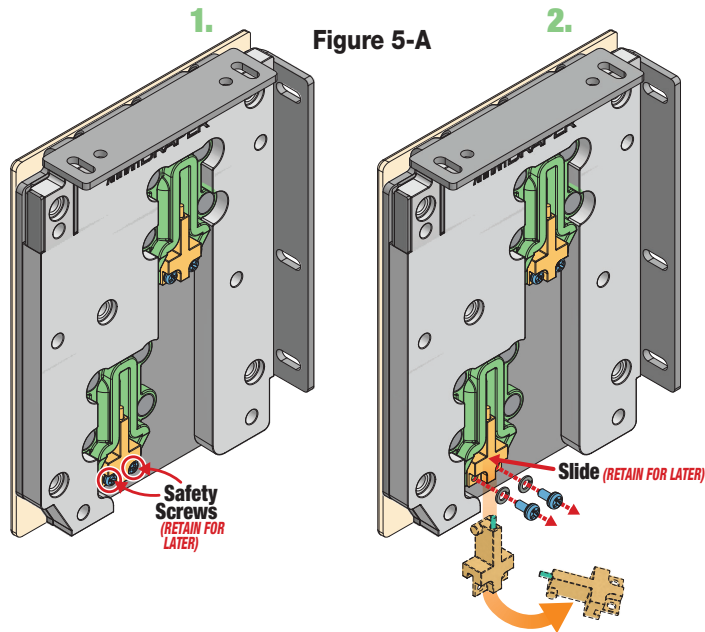
Next, mount roller assemblies (Section 5).

Section 4 - Spring Assist Idler (Standard Hardware shown)

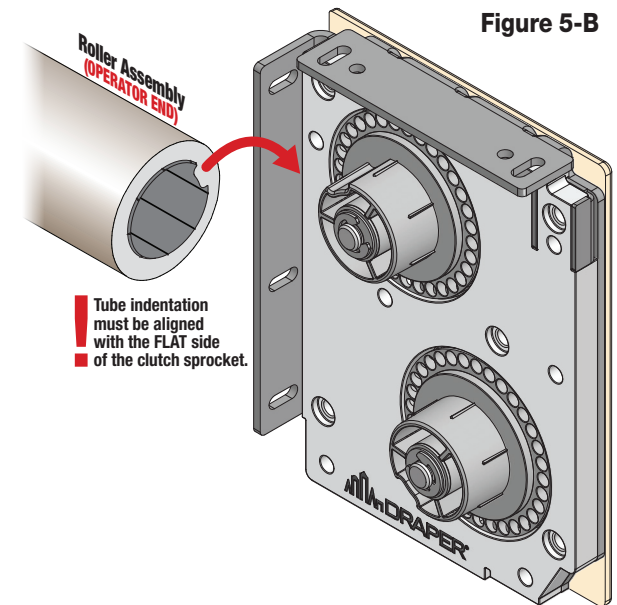
⚠ Caution: Do not allow shade roller to become exposed by running shade fabric too far down. Use stop balls provided in hardware packet by Draper® to set up and down travel limits. Stop balls by others may be too small, and become lodged in clutch mechanism.

Please Note: If shade fabric is uneven, see "Field Adjustments" on page 2.

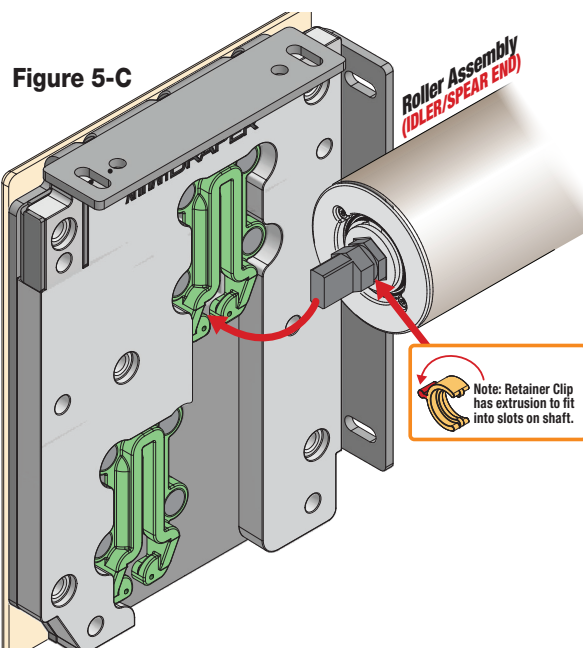
1. Remove the safety screw and slide from the top idler endcap. Retain these pieces for later.



2. Install roller assembly tube onto clutch.

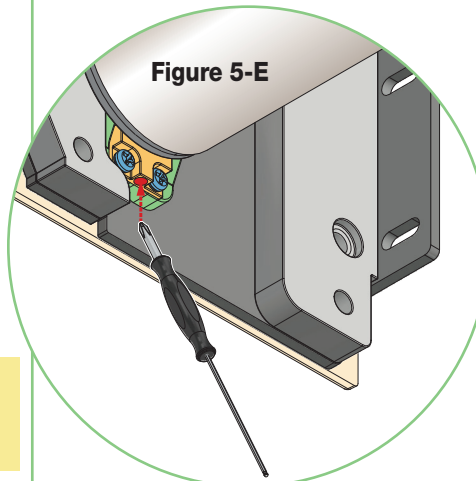
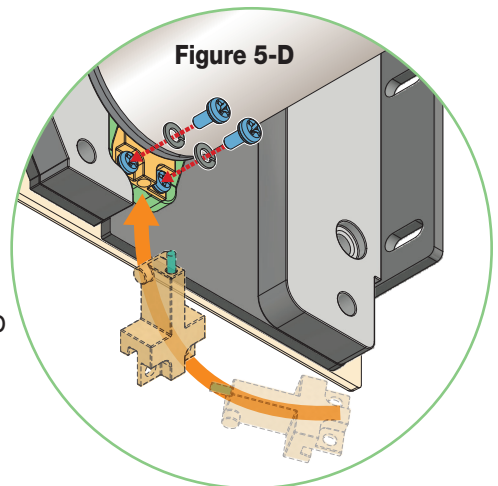


3. Swing the idler end into place, then slide the idler end spear into the receiver. It may be necessary to compress the spring-loaded spear.



⚠ Caution: The retaining clip must be installed around the idler-end shaft as shown to prevent the roller assembly from moving left or right during operation, and to ensure that the spring-loaded shaft does not retract into the mechanism in case of a bearing failure.

4. Replace slide and safety screw. Place into groove at an angle, slide up, and ensure the bottom of the slide is hooked into the receiver.



5. Use the included Adjustment Tool (C202.029) in the adjustment point on the underside of slide to level shade.

Section 5 - Shade Fabric Roller Mounting (Extra Large Hardware shown)

⚠ Caution: Do not allow shade roller to become exposed by lowering shade fabric too far. Be sure to use stop balls provided by Draper® to set up and down travel limits. Stop balls by others may be too small, and become lodged in clutch.

Please Note: If shade fabric is tracking to one side, see "Field Adjustments," Page 2.

TOP ROLLER ASSEMBLY

Figure 6-A

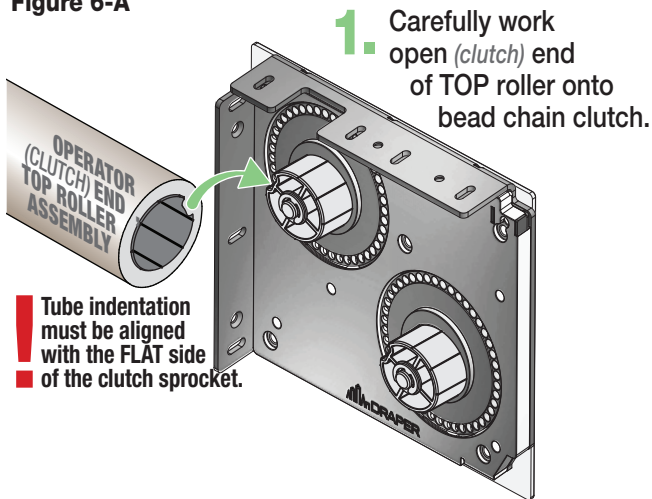
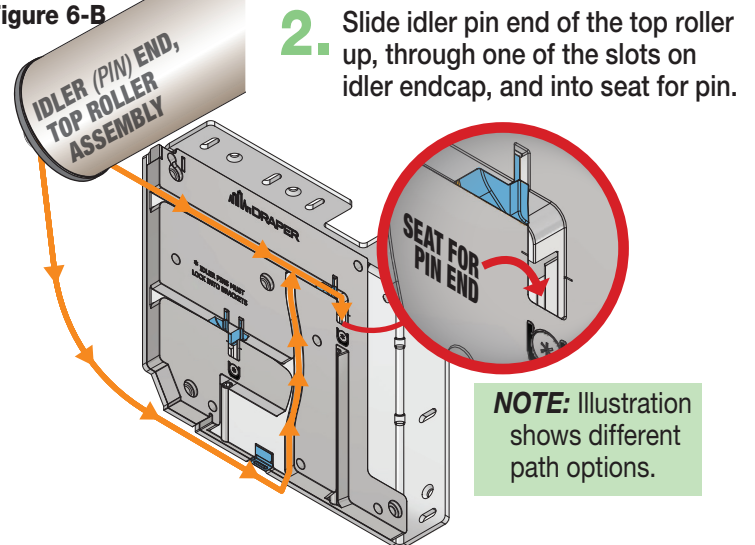


Figure 6-B



BOTTOM ROLLER ASSEMBLY

Figure 6-C

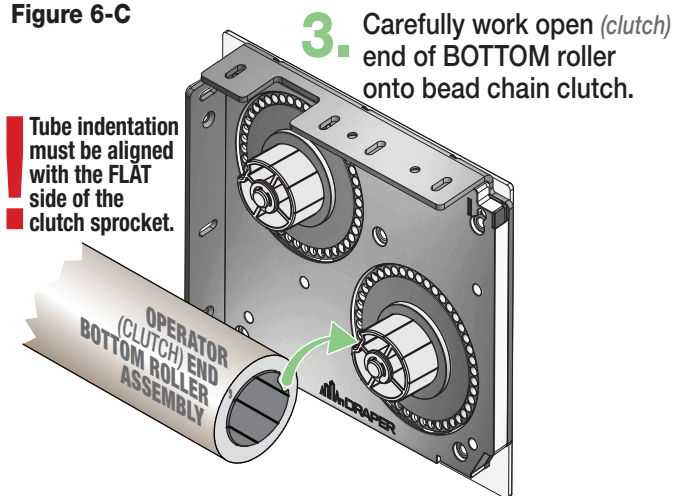


Figure 6-D

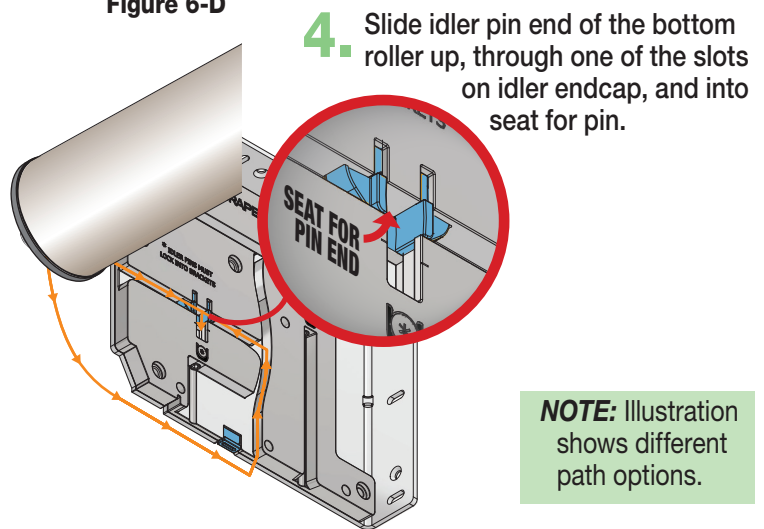
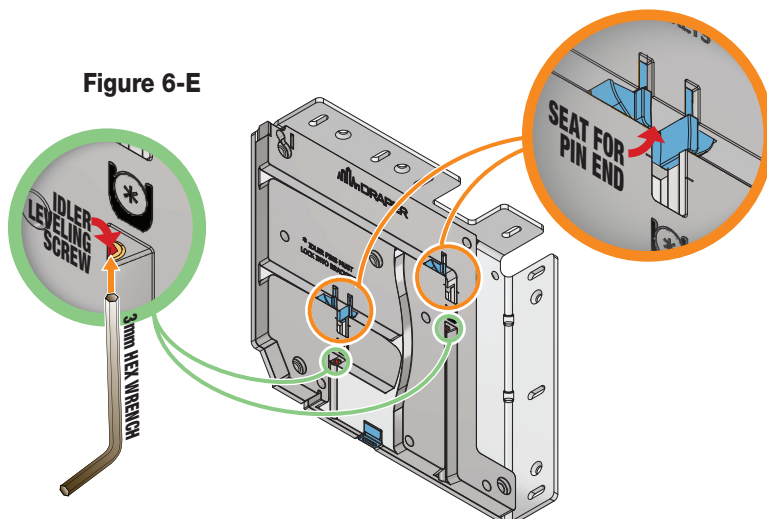


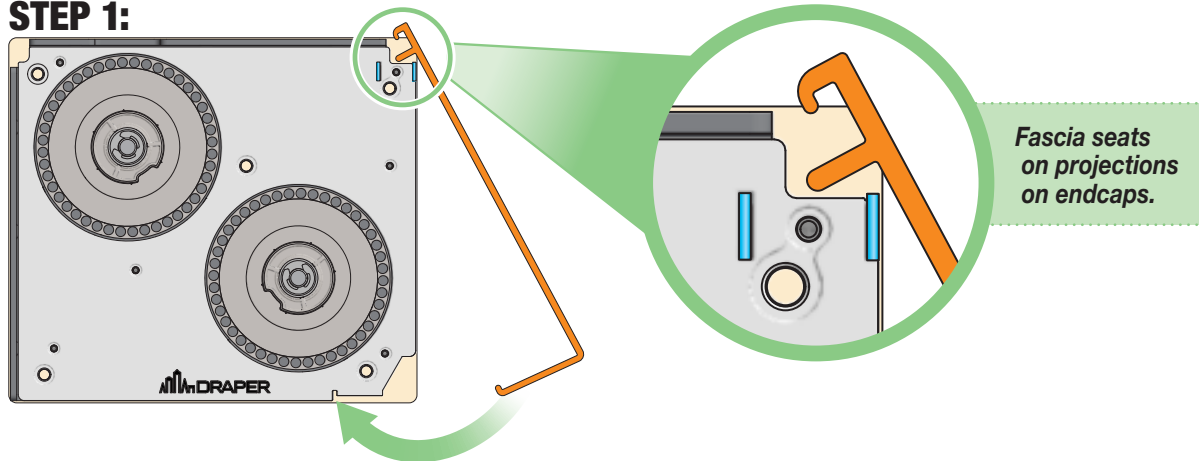
Figure 6-E

- 5.** Test shade to ensure that roller is level and operating properly.
- If not, adjust idler leveling screw with 3mm Hex Wrench, available upon request when ordering shade.

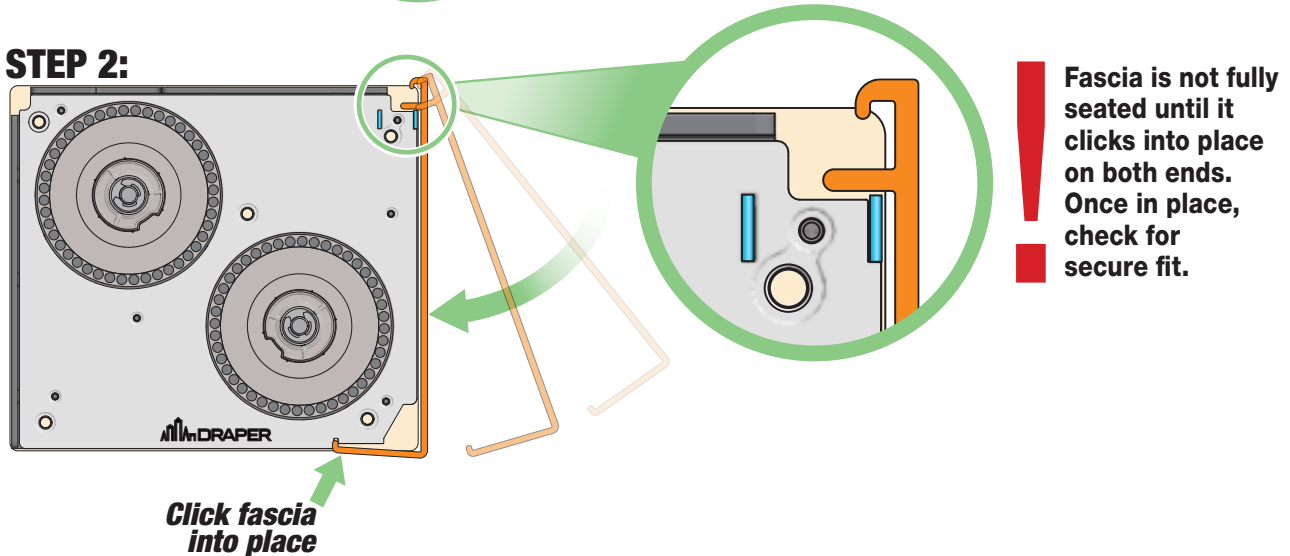


Section 6 - Attaching Fascia

STEP 1:



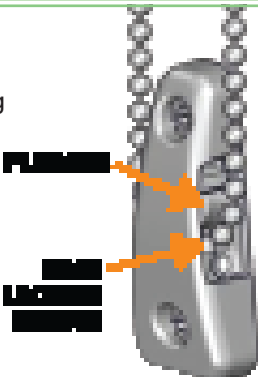
STEP 2:



Section 7 - Tensioned Hold Down (Must be installed to make shade fully operable.)

Please Note: Screws provided are not suitable for all mounting surfaces. The installer is responsible for secure mounting using appropriate hardware for the site conditions. Consult with contractors and builders as needed.

1. Lift bead chain out of bead locking groove and slide tensioned hold down to bottom of chain loop.



2. Hold tensioned hold down in one hand while pulling plunger away from bead chain with other hand.

3. Pull tensioned hold down until bead chain is fully tensioned and move tension device up approx. 1/8" (3mm)

4. Mark screw hole locations with a pencil.

INSIDE MOUNT

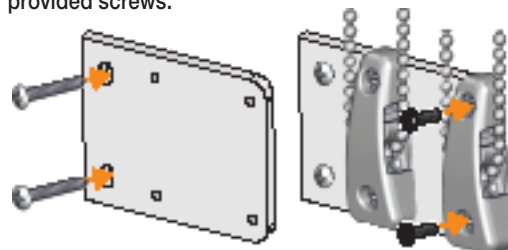
If mounting directly onto the surface, pre-drill screw holes and then install the tensioned hold down using the 2 large screws provided.



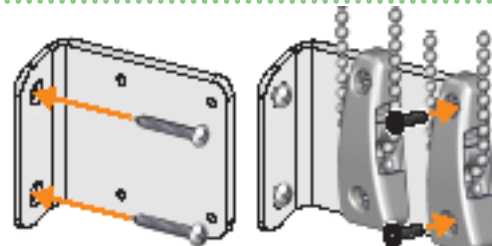
SIDE/JAMB OR FACE MOUNT

Align mounting bracket holes with pencil marks and attach bracket to mounting surface. Install tensioned hold down using the two smaller provided screws.

SIDE/JAMB MOUNT

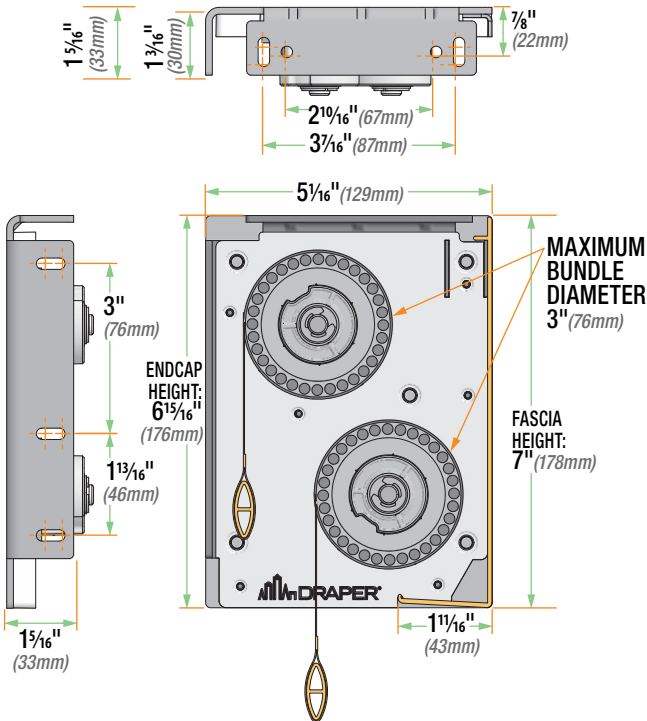


FACE MOUNT

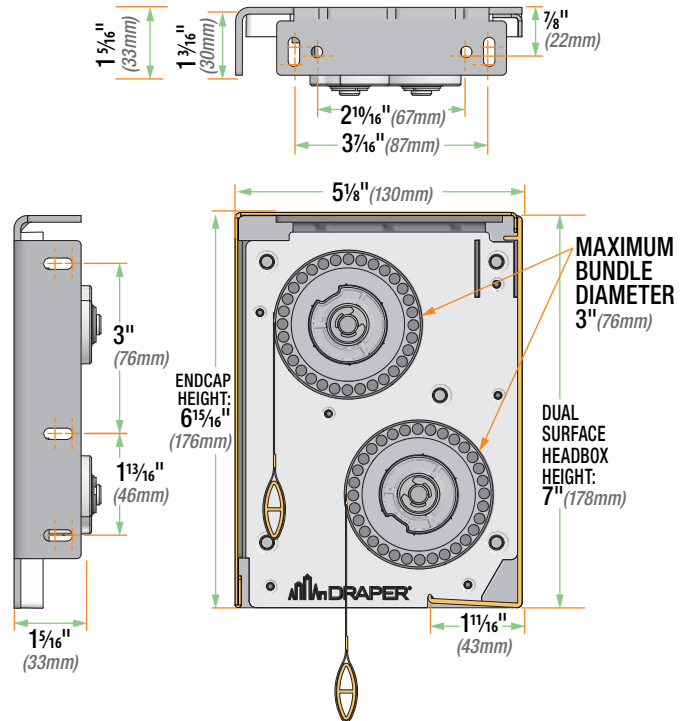


Section 8 - Dimensions: Standard Hardware

Standard Dual Fascia



Standard Dual Surface Headbox



SHADE WIDTH — $\frac{3}{16}$ " (5mm) = FASCIA CUT LENGTH

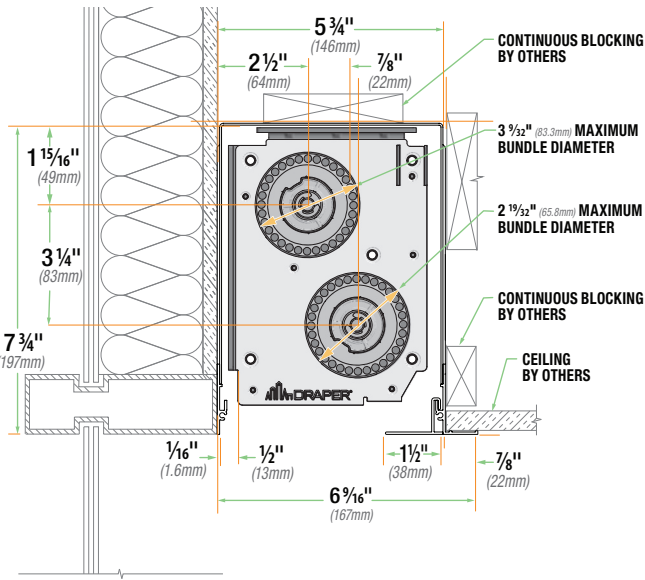


ROLLER TUBE CUT LENGTH — $\frac{1}{8}$ " (3.2mm) = FABRIC CUT WIDTH
 SHADE WIDTH (Outside Measurement) — $1\frac{1}{2}$ " (38mm) = ROLLER TUBE CUT LENGTH
 FABRIC CUT WIDTH — 2 " (51mm) = HEM BAR CUT LENGTH

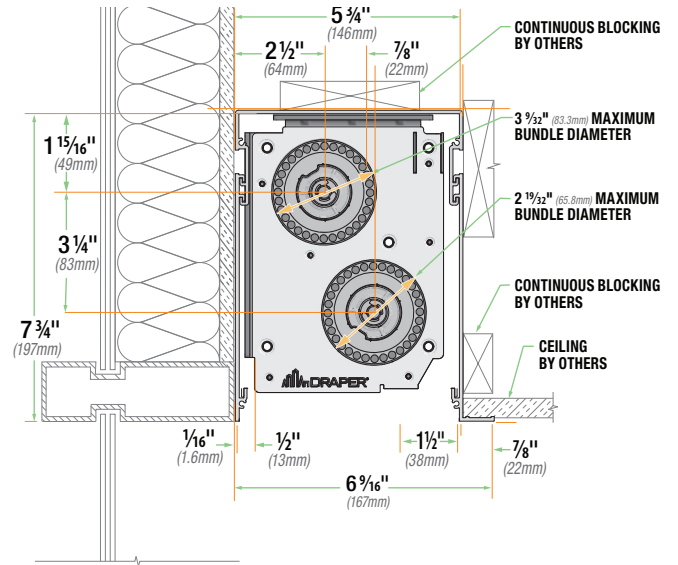
*When measuring shade height, remember to include Endcaps & Fascia.

Section 9 - Dimensions: Standard Hardware, Pocket Headbox

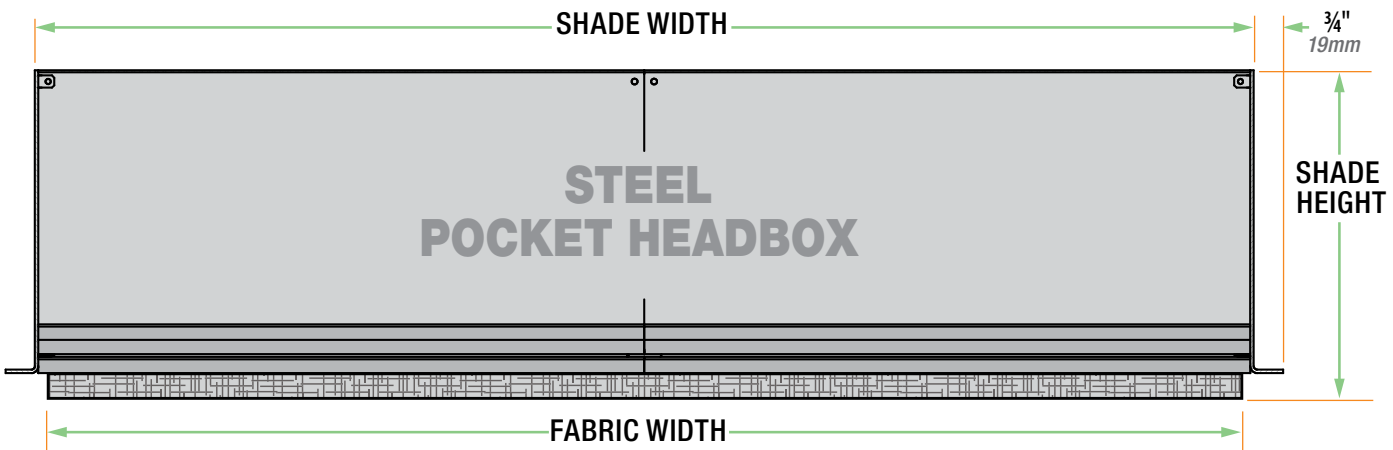
Standard Hardware Steel Pocket Headbox



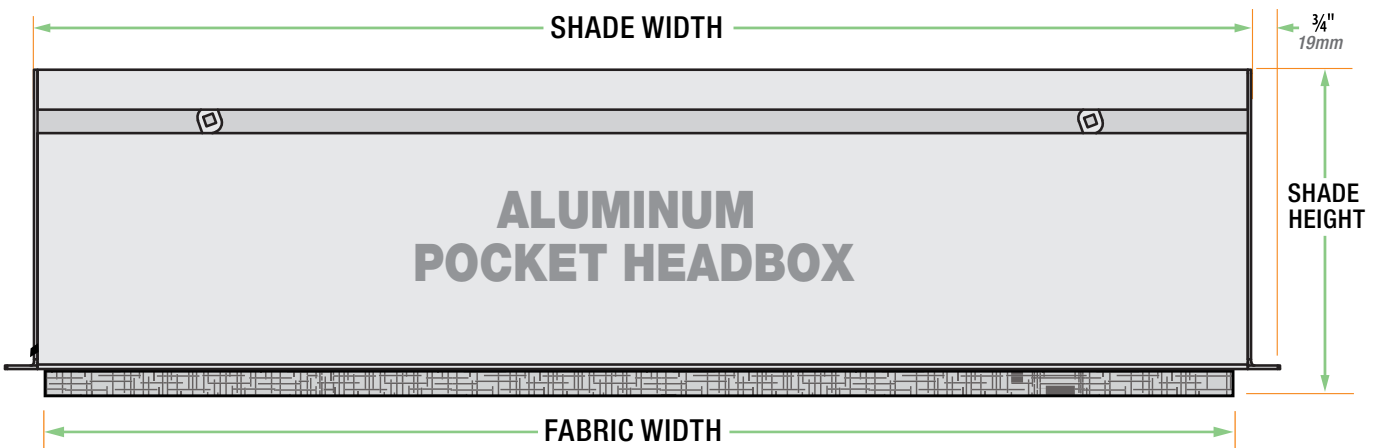
Standard Hardware Aluminum Pocket Headbox



Steel Dual Roller Pocket Headbox Dimensions

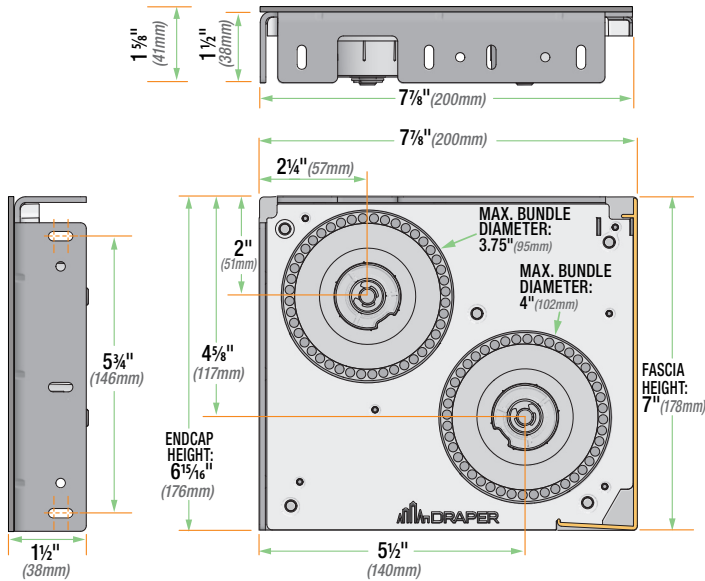


Dual Roller Extruded Aluminum Pocket Headbox Dimensions

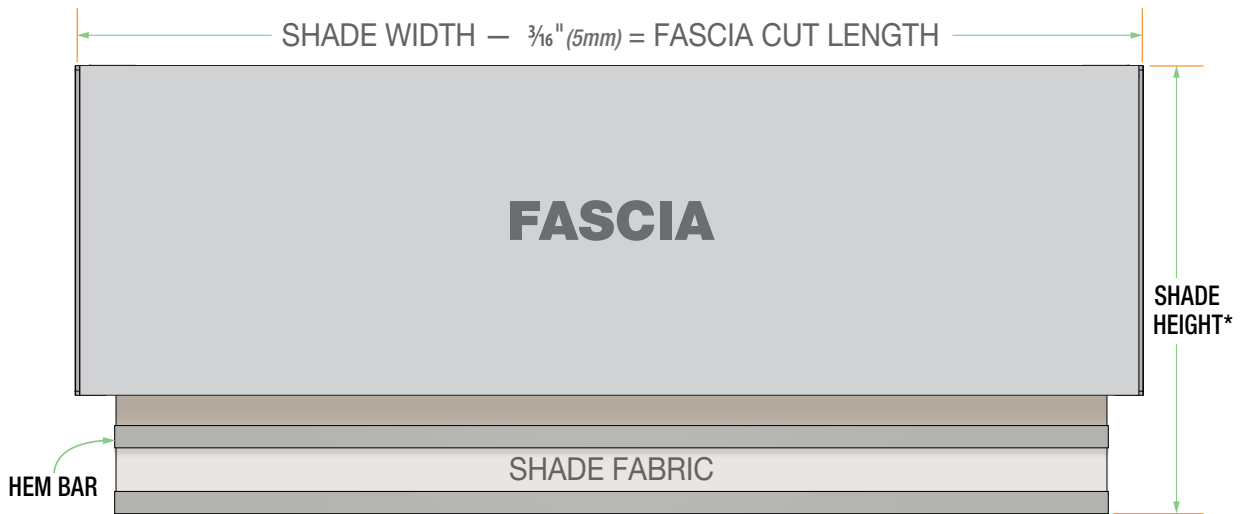
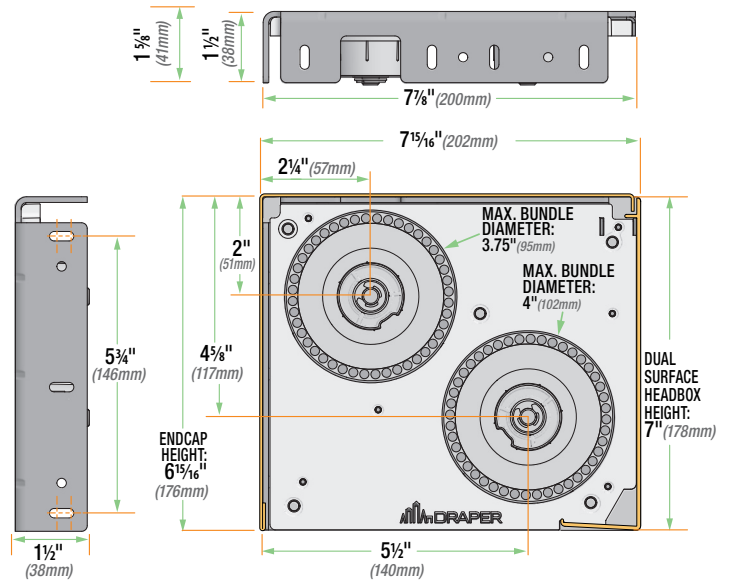


Section 10 - Dimensions: Extra Large Hardware, Surface Headbox

Extra Large Dual Fascia



Extra Large Dual Surface Headbox



ROLLER TUBE CUT LENGTH — 1/8" (3.2mm) = FABRIC CUT WIDTH
 SHADE WIDTH (Outside Measurement) — 1 1/2" (38mm) = ROLLER TUBE CUT LENGTH
 FABRIC CUT WIDTH — 2" (51mm) = HEM BAR CUT LENGTH

*When measuring shade height, remember to include Endcaps & Fascia.

Section 11 - Dimensions: Extra Large Hardware, Pocket Headbox

