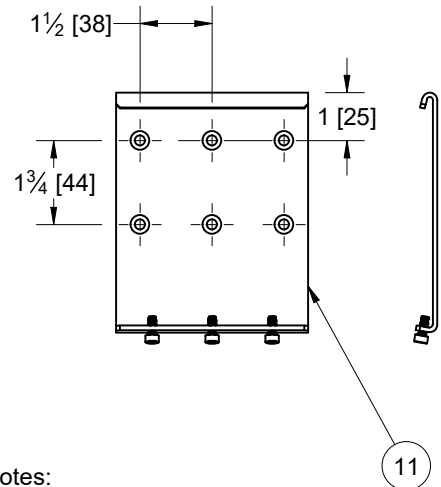
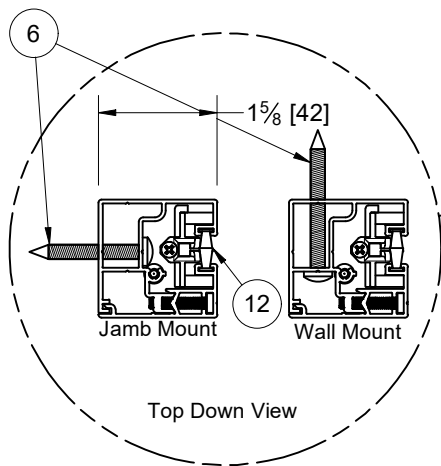
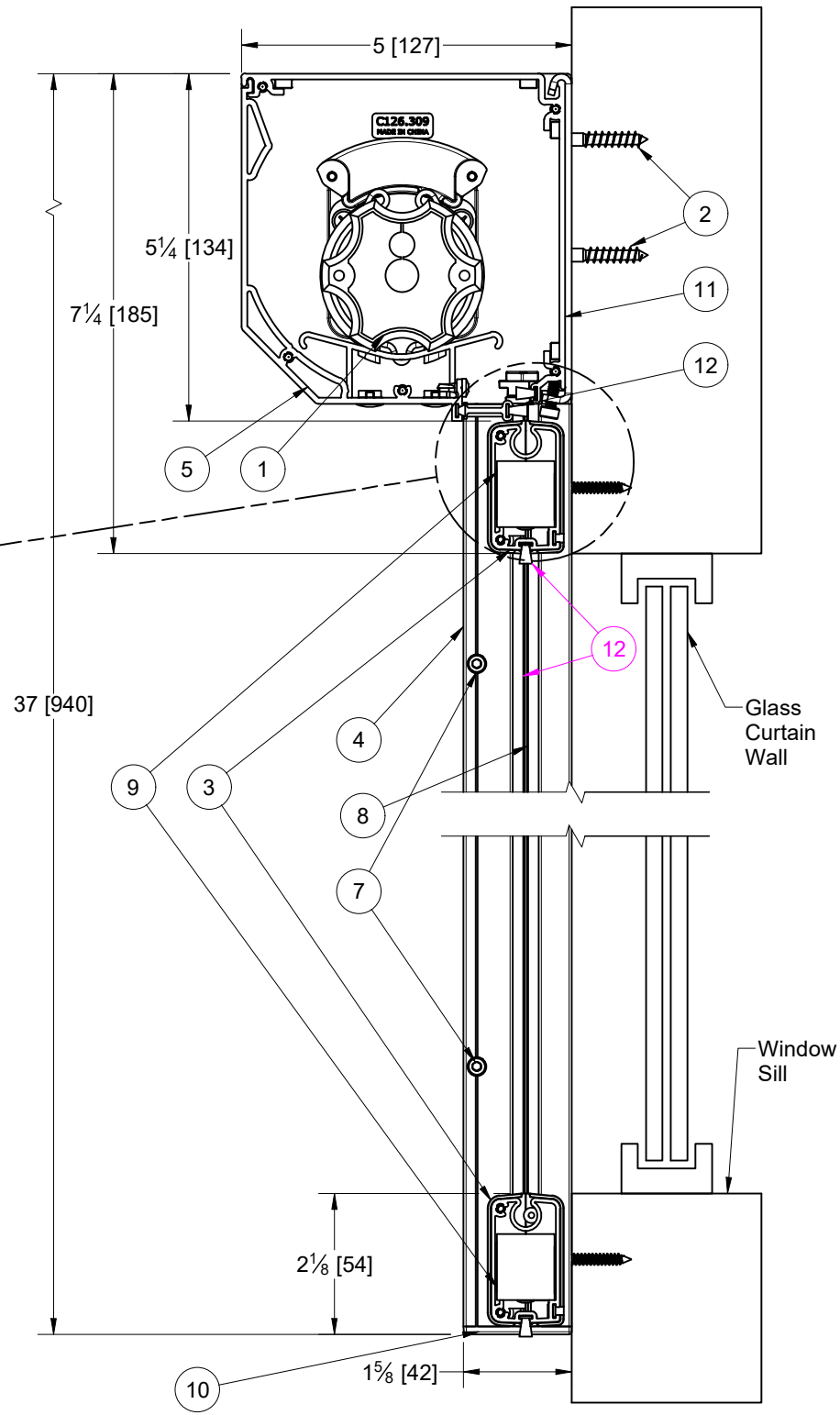


Parts List	
ITEM	DESCRIPTION
1	115V Motor
2	Headbox Fasteners by Others
3	Hem Bar
4	Side Channel w/ Fabric Retainer
5	Angled Headbox
6	Side Channel Fasteners by Others
7	Side Channel Cover Plate Screws
8	Shade Fabric
9	Hem Bar Weight
10	Side Channel Cover
11	Wall Mounting Bracket
12	Optional Brush Liners



Notes:

Dimensions: Inches [mm]

Window Type On Schedule: \_\_\_\_\_



### Flexshade Zip XL Wall Mount, Angled Headbox

Project: \_\_\_\_\_ Architect: \_\_\_\_\_  
 Contractor: \_\_\_\_\_ Supplier: \_\_\_\_\_ Date: \_\_\_\_\_ Revised: \_\_\_\_\_