

Exterior Motorized FlexShade® XL

Outdoor shading system with smooth, quiet operation and independent control



SUBMITTAL TECHNICAL INFO

Please check all appropriate selections and attach room schedule with verified dimensions.

EXT FLEX XL MON

Fabric Series: _____

Color Name / Number: _____

Openness Factor: _____

Please see [Draper® Fabric Options](#) for fabric colors and specifications.

Select Hardware

Select Headbox Style

- Curved Angled

Select Hardware Finish

- Black Bronze Ivory
 White Sand Silver

Select Cable Exit Location

Please Note: For cable exit information, see installation instructions.

- None (standard) Top
 Side Back

Select Liner Options

Please Note: Liners are factory installed (if ordered).

- Headbox
 Side Channel
 Hem Bar
 .140" (3.6mm) .310" (7.9mm)
 .450" (11.4mm) 1" (25mm) height liner
 Vinyl bulb seal

Select Guide Type

- Side Cable Channel Adaptors (see p.4)
 Wall Mount C073.002 Qty: _____
 Deck Mount C090.053 Qty: _____
 Side Channel C090.054 Qty: _____
 C104.148 Qty: _____

Select Operator and Controls

Select Motor Location (front view)

- Right (standard)
 Left

Select 120V AC Operator

- Sonesse® RTS (standard)
 Sonesse® 120V Motor

Select Interior Control Options

- RTS
 Wireless Wall Switch
 Decora RTS 1-Channel
 White (standard)
 Ivory
 Decora RTS 5-Channel
 White (standard)
 Ivory

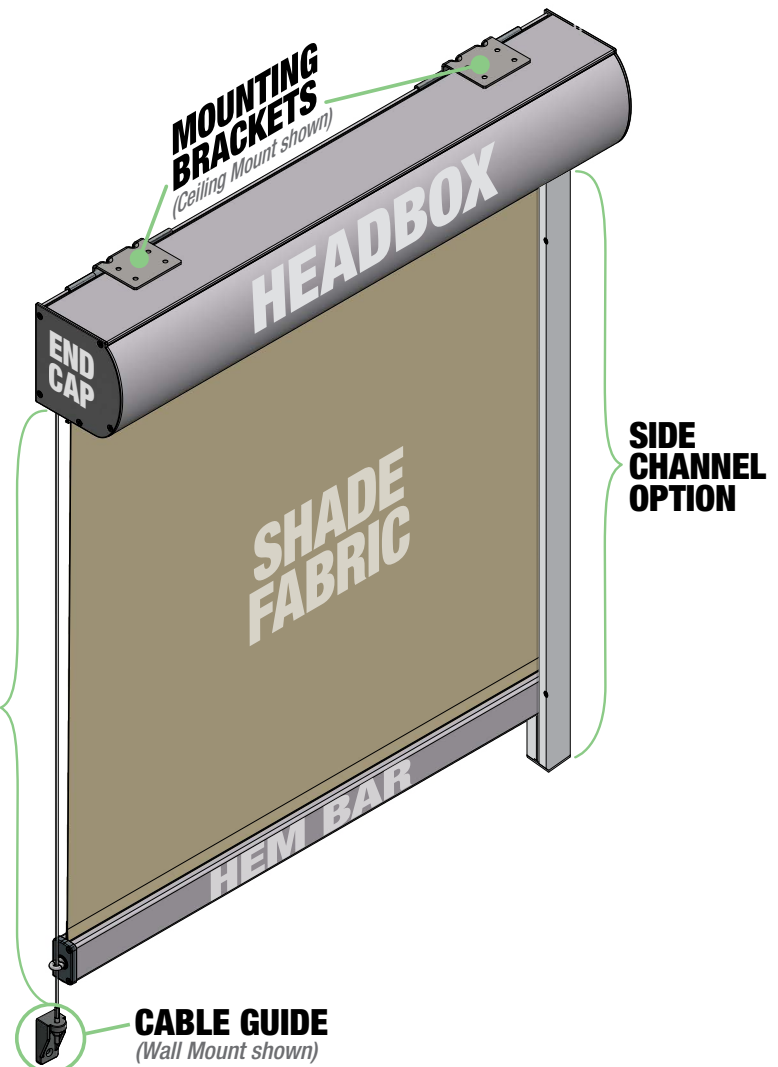
Select Exterior Control Options

- Telis 1 Patio Exterior Remote
 Telis 4 Patio Exterior Remote
 1 Channel Soliris Patio Remote
 4 Channel Soliris Patio Remote

Select Exterior Sensors

- Ondeis® WireFree Rain/Sun Sensor
 Sunis Outdoor WireFree Sun Sensor
 Eolis-RTS Wind Sensor
 Soliris-RTS Wind/Sun Sensor

Please Note: For more information about operators and controls, see installation instructions.



Available Sizes:

	WIDTH						
	4' (122cm)	6' (183cm)	8' (244cm)	10' (305cm)	12' (366cm)	14' (427cm)	16' (488cm)
HEIGHT							
2' (61cm)							
4' (122cm)							
6' (183cm)							
8' (244cm)							
10' (305cm)							
12' (366cm)							

* Maximum size will vary according to fabric selection.



Draper, Inc. | 411 S. Pearl St. Spiceland, IN 47385
 draperinc.com | 765.987.7999 | 800.238.7999

© 2022 All Rights Reserved | FORM: Ext_FSMO_XL_Sub22

PROJECT: _____

ARCHITECT: _____

CONTRACTOR: _____

SUPPLIER: _____

DATE: _____ REVISED: _____

Specifications

EXTERIOR MOTORIZED SHADING

SYSTEM: Electrically operated, motorized, vertical roll-up, fabric shading system. Assembly includes motor operator, controls, mounting hardware and other components necessary for complete installation. Exterior Motorized FlexShade® XL as manufactured by Draper®, Inc.

ELECTRIC OPERATOR: Tubular motor concealed inside shade roller tube. **LOCATION:** Right hand: standard; Left hand: As scheduled.

STANDARD MOTOR: Sonesse® Radio Technology Motor: 110-120V AC, single-phase, 60 Hz, instantly reversible, lifetime lubricated motor with built-in radio receiver, equipped with internal thermal overload protector, electric brake, and pre-set accessible limit switches. (Compatible with Wireless Radio Technology Controls.)

OPTIONAL WIRED MOTOR: Sonesse® 110-120V AC, single-phase, 60 Hz, instantly reversible, lifetime lubricated, and equipped with internal thermal overload protector, electric brake, and pre-set accessible limit switches.

ROLLER: 2.364 inch (60 mm) outside diameter (at manufacturer's discretion); aluminum. Roller assembly is integrated with floating bracketry.

ROLLER IDLER ASSEMBLY: Plastic idle end insert into roller will fit over steel pin and rotate on pin with use of sealed bearing. Steel pin connects to bearing mounted to bracket mounted inside the headbox. Systems not using sealed bearings are not acceptable.

FABRIC CONNECTION TO ROLLER TUBE: Fabric panel to incorporate spline attachment at the top and hem pocket at the bottom to allow connection to the hem bar.

HEM BAR: Weighted aluminum. Optional bottom liners.

HEADBOX: Cassette-style extruded aluminum sections. 5" x 5" (127 mm x 127 mm) by length required for shade being provided.

CRADLE SYSTEM: Extrusion supports entire roller using cradle system to reduce roller deflection.

SHAPE: Angled, Curved.

FINISH: Silver, black, sand, white, ivory, or bronze powder coat.

HEM BAR CONTAINMENT:

GUIDE CABLES: Deck Mount or Wall Mount
OR

SIDE CHANNELS: Extruded aluminum

SIZE: 1 3/8" x 1 3/8" (41 mm x 41 mm)

FINISH: Silver, black, sand, white, ivory, or bronze powder coat.

PATENT INFORMATION:

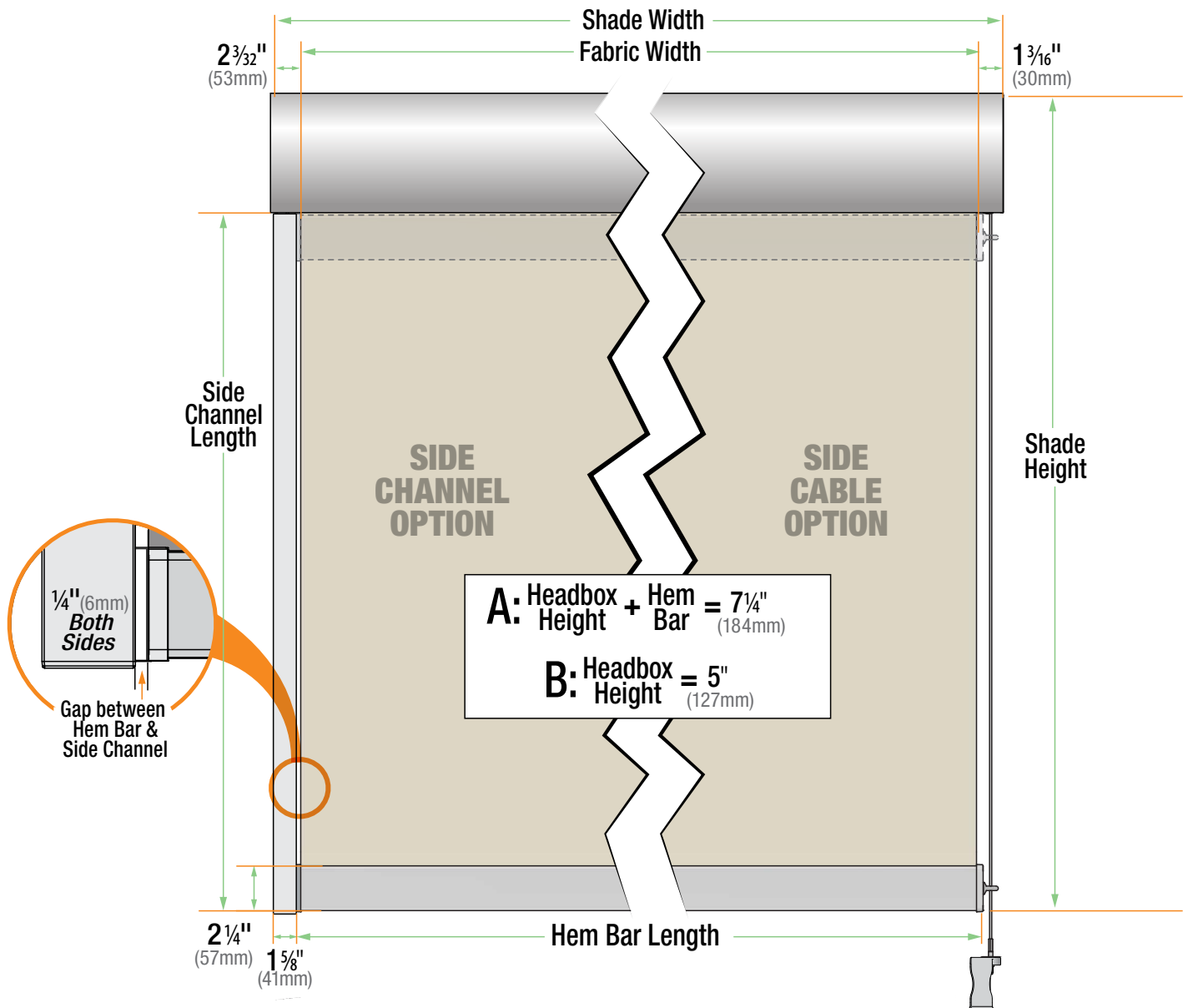
<http://www.draperinc.com/legal/patents>

DOWNLOADABLE 3-PART SPECIFICATIONS:

www.draperinc.com.

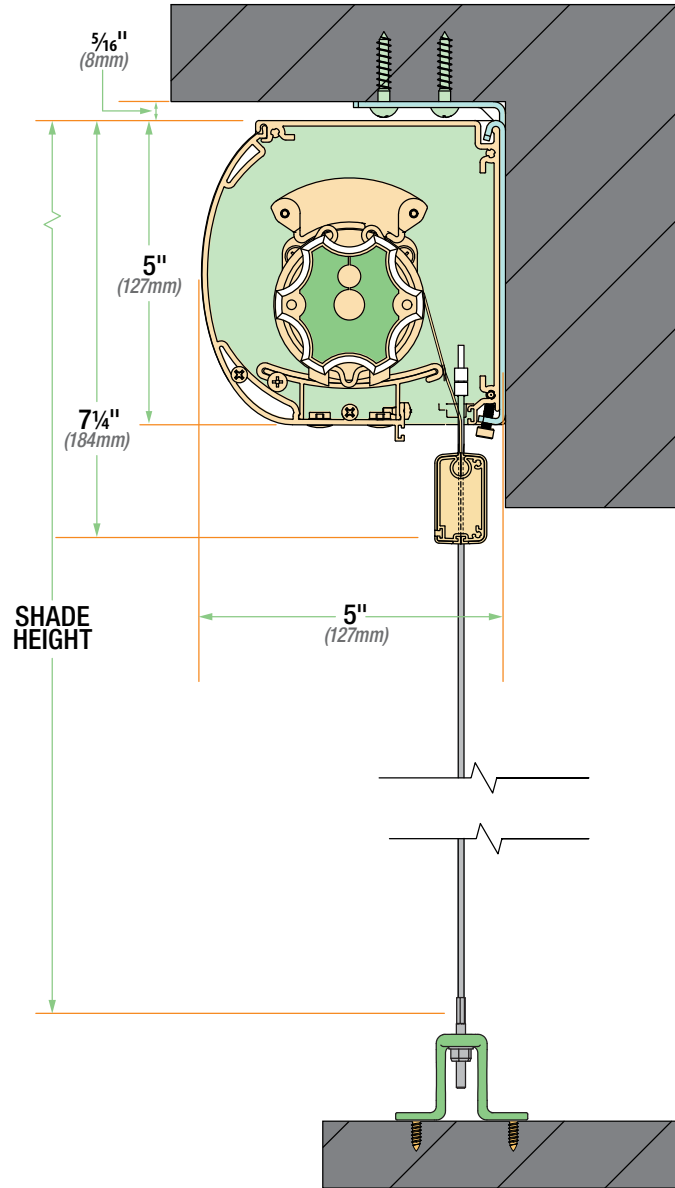
Please note: Dimensions of rollers, operators, and hardware at manufacturer's discretion.

Dimensions

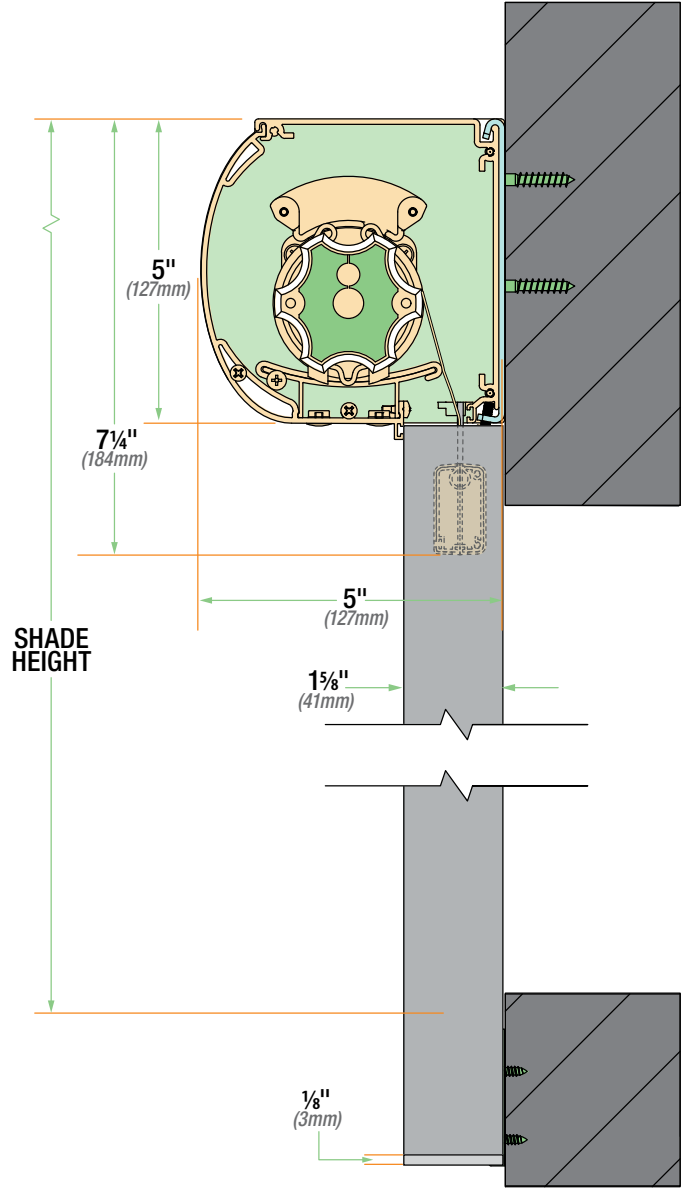


Assembled Dimensions: Side View

Ceiling Mount Bracket and Deck Mount Cable Guide shown

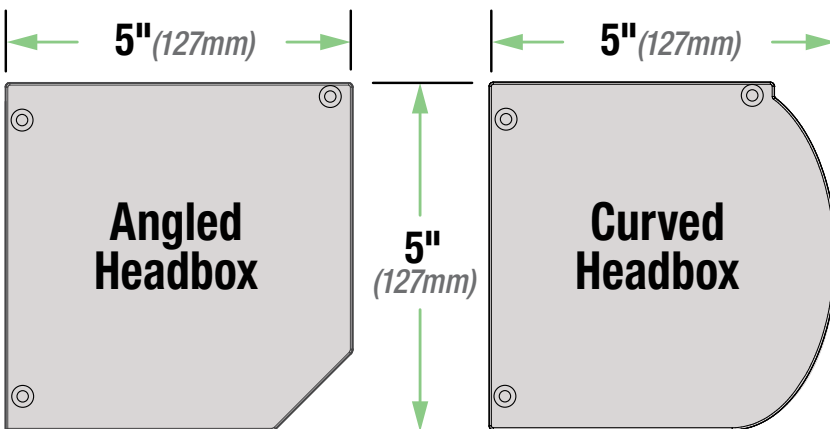


Wall Mount Bracket and Wall Mount Side Channel shown

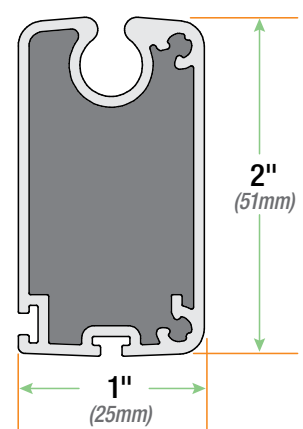


Component Dimensions

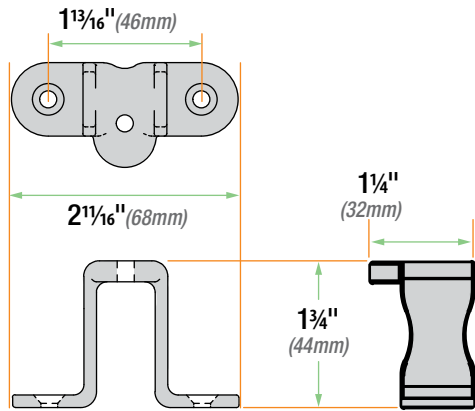
Headbox Dimensions



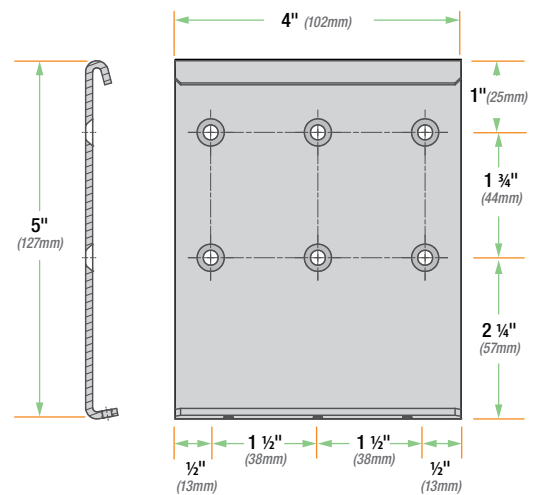
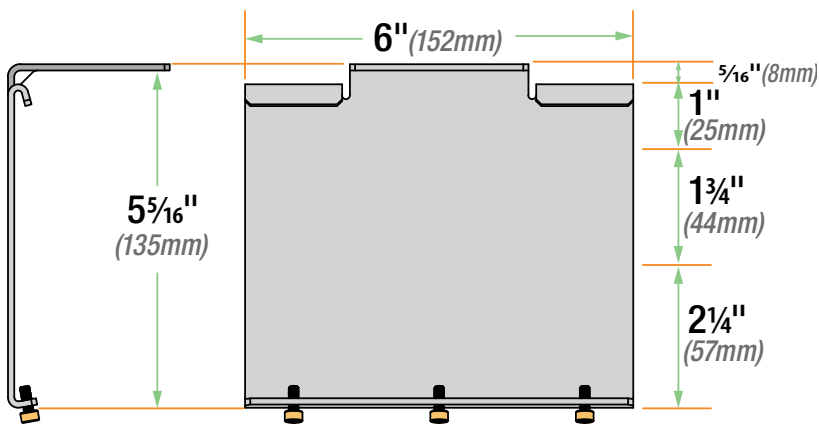
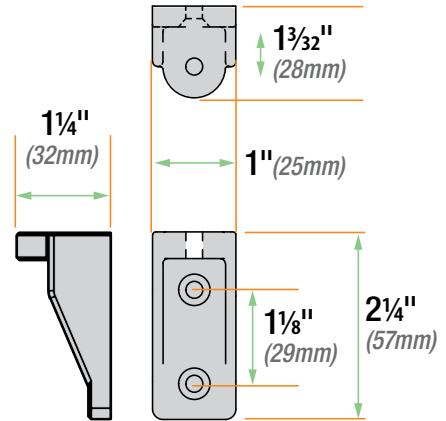
Hem Bar Dimensions



Cable Guide - Deck Mount



Cable Guide - Wall Mount



Hem Bar Liners

Please Note:
Liner is factory installed (if ordered).

C037.002:
.140" (3.6mm)
height liner

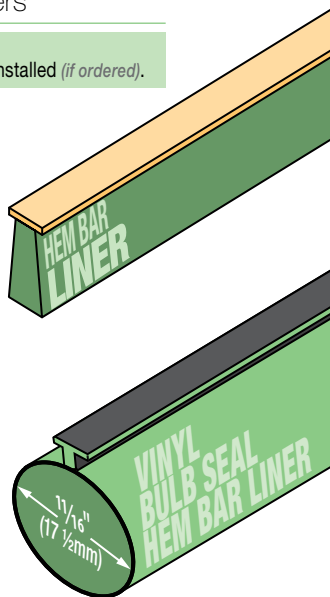
C037.003:
.310" (7.9mm)
height liner

C037.004:
.450" (11.4mm)
height liner

C037.015:
1" (25mm)
height liner

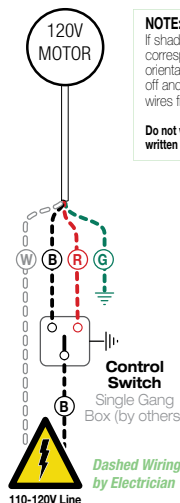
C037.024:
1 1/2" (38mm)
height liner

C086.011:
Vinyl bulb seal



Wiring Diagrams

Controls & System Overview Sonesse® 120VAC Motors



NOTE: Test shade operation
If shade direction does not correspond with the switch orientation, turn power back off and switch the red and black wires from the motor to the switch.

Do not wire motors in parallel without written permission from Draper.

Please Note:
Quick disconnect and NEMA 3 prong plugs provided by others.

Sonesse® is a registered trademark of Somfy® Systems, Inc.

Controls & System Overview Sonesse® RTS 120VAC Motors

