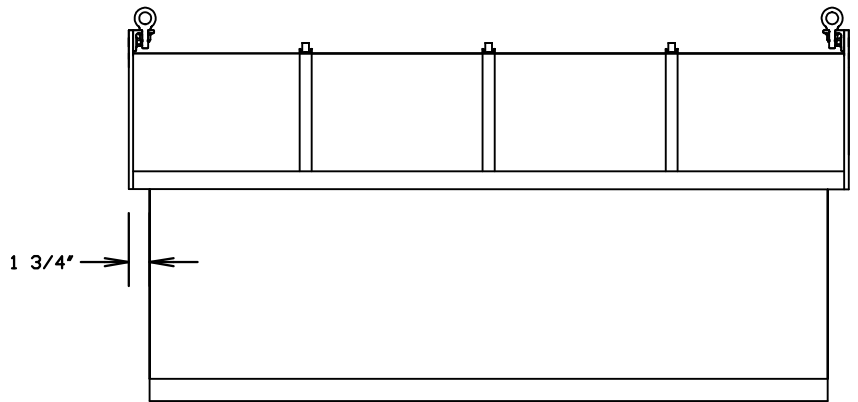
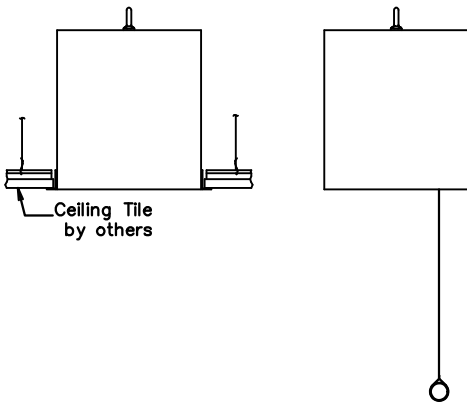
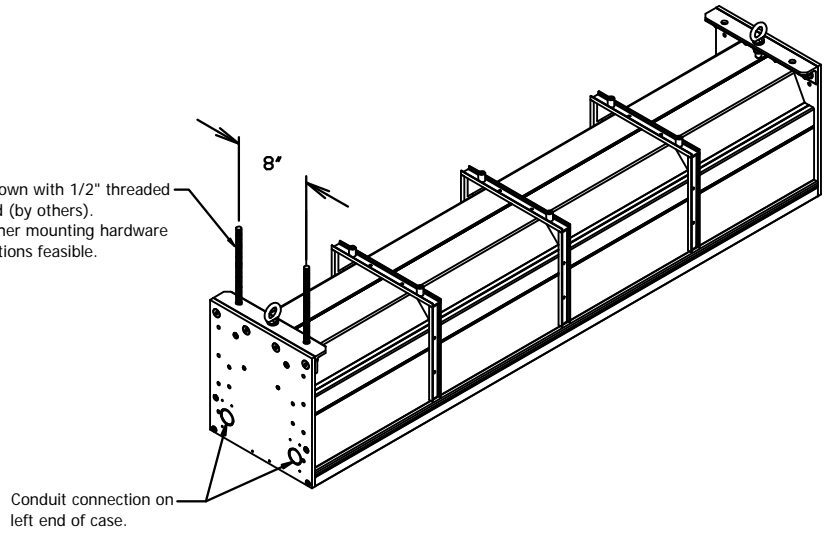


Shown with 1/2" threaded rod (by others). Other mounting hardware options feasible.



Window Type On Schedule: _____



Colossal Flexshade

Project: _____ Architect: _____
 Contractor: _____ Supplier: _____ Date: _____ Revised: _____