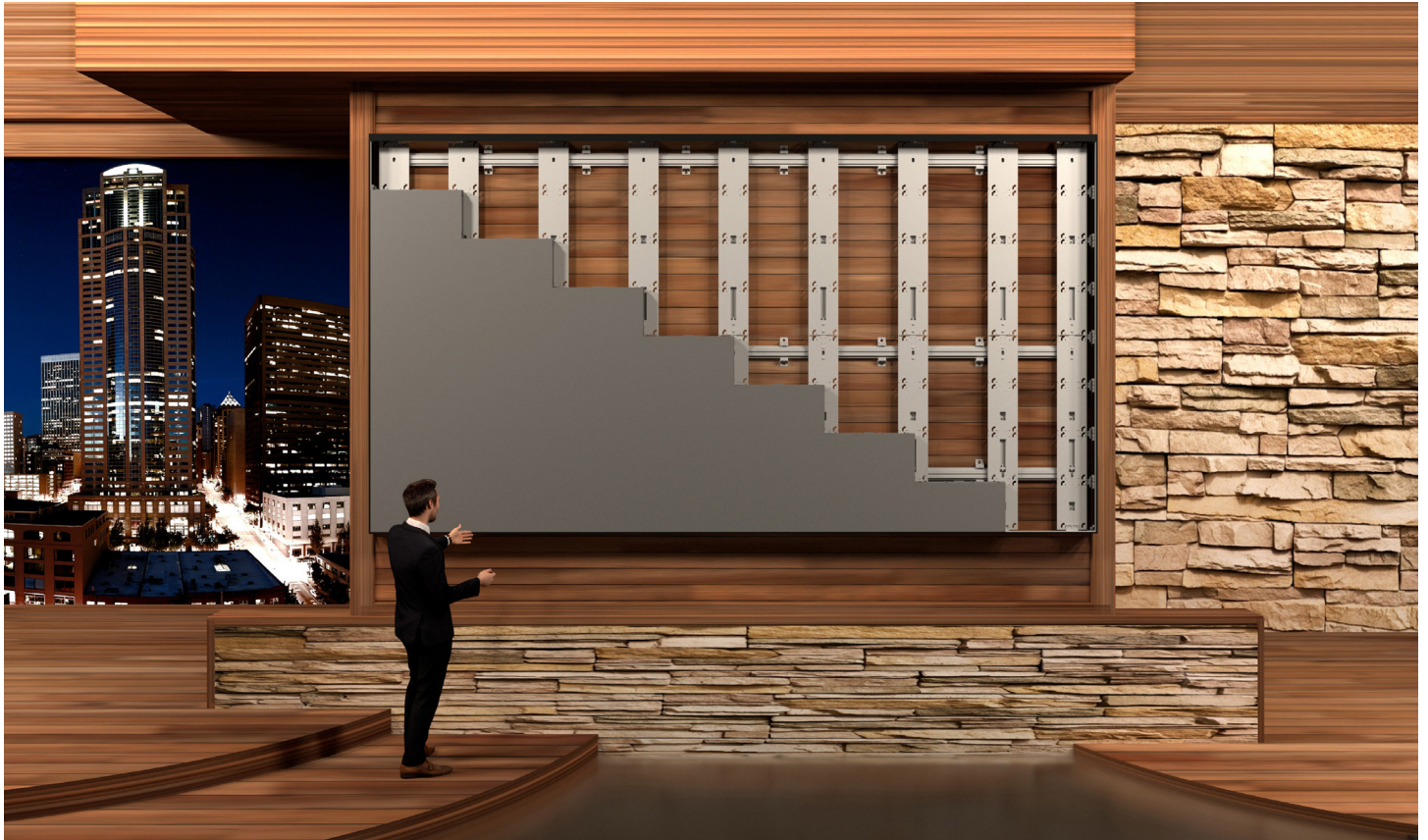




Foundation[®] Mount System for Christie[®] Apex Series

The bedrock of hassle-free LED video wall installations



Build Your LED Video Wall on the Draper[®] Foundation[®]

We designed the all-new Foundation Mount System with the pro AV install community in mind. Walls that aren't flat, floors that are uneven, and tight installation deadlines are just a few of the headaches installers face. Foundation Mount System quickly and precisely makes the system square, level, and plumb even with non-flat surfaces.

Save time, gain precision

Installation timeline tight? With Foundation, speed and precision are built in by design. The Foundation mount system allows techs to get the job done quickly, painlessly, and with perfect results the first time. And when it's time to service the display, optional Foundation trim aids quick and easy service. The Draper Foundation can help you save time and money while giving you beautiful results.

FOCUSED ON
INNOVATIVE
SOLUTIONS

ADVANCED SOLUTION

- Modular design allows for any array size and aspect ratio.
- Available with or without trim.
- **Seismic rating:** Draper is able to provide seismic rated mounting solutions when specified in advance.



www.draperinc.com/contactus/avinquiry.aspx

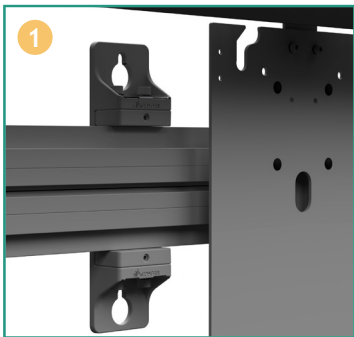
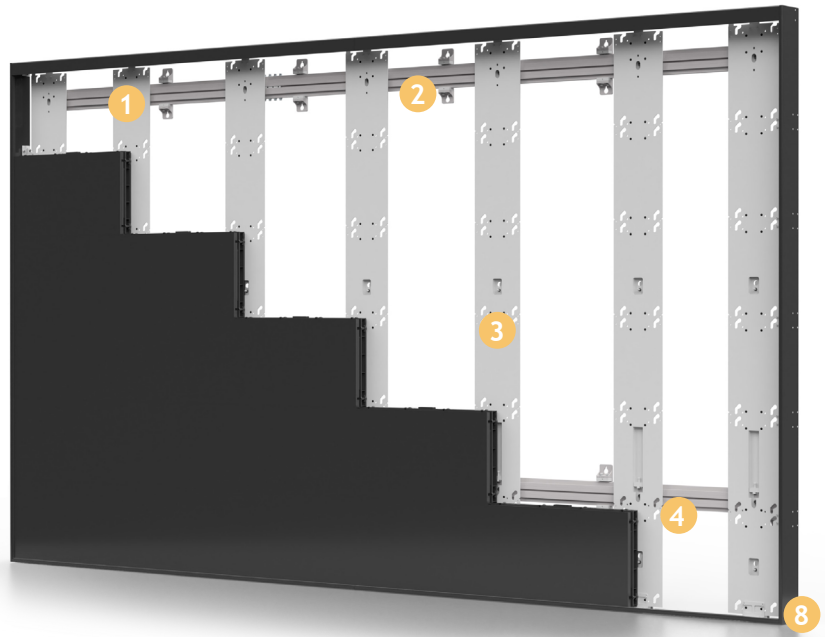
Please contact your sales team if seismic rating is required for your project.



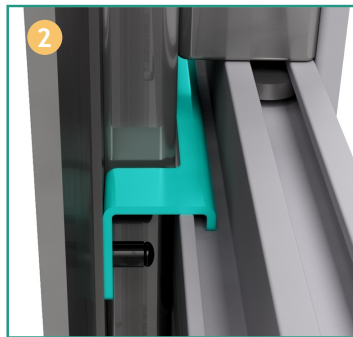


FOUNDATION MOUNT

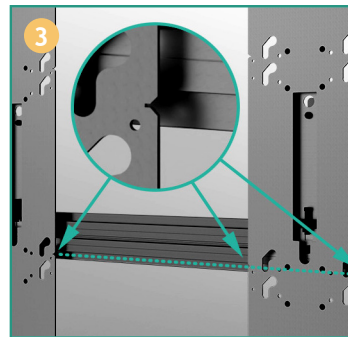
Engineered to provide increased precision and time savings when installing LED video walls.



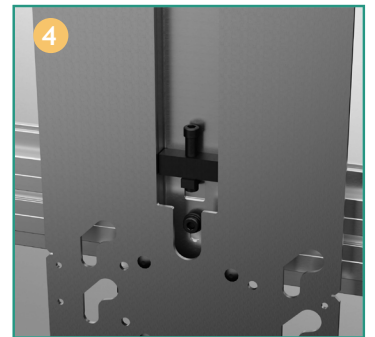
Keyhole attachments on wall brackets provide the ability to mount an entire horizontal rail at once.



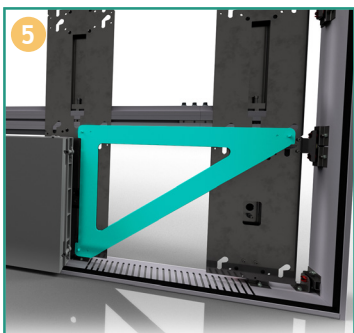
Vertical rail hanger clips allow installers to easily mount vertical rails.



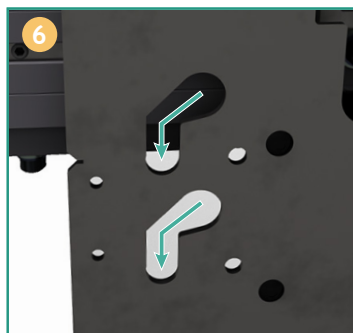
Laser level notches on the sides of each upright act as "string lines" for easy leveling.



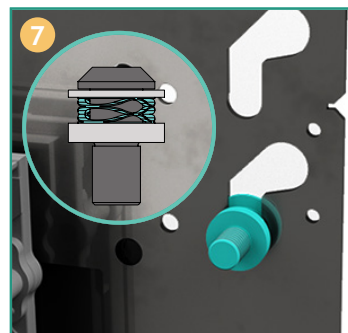
Vertical rail adjusters quickly align and level the bottom row of cabinets.



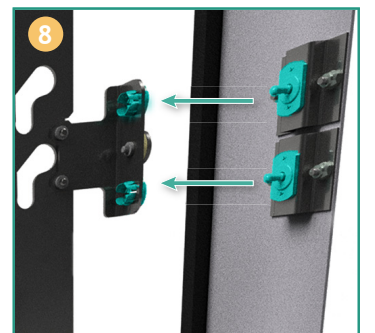
Install fixtures ensure that vertical uprights are positioned and spaced perfectly. Realignment is not necessary when LED panels are installed.



LED panel mounting slots minimize the amount of contact between LED modules during installation.



Spring loaded mounting studs push cabinets into the final Z-axis position.



Magnetic trim is attached using alignment pins and held in place with powerful rare-earth magnets, making installation or removal quick and easy.

