

SkyLight FlexShade System

by **DRAPER**

Please check all appropriate selections and attach room schedule with field verified dimensions.

Select Hardware Finish

- Silver
- Black
- White
- Ivory
- Charcoal Bronze

Select Installation Option (see below)

- Inside Mount (IM/Inside Measure: Draper makes a 3/4" deduction.)
- Outside Mount (OM/Outside Measure: No deductions made.)

Select Operator Location (see below)

- Location A
- Location B
- Location C
- Location D

Select Operator and Control Options

- Crank Operator with detachable crank.
Specify crank length _____ (6' max.)
Note: Crank operator units operable up to 10 feet above floor.

Standard 110-120V AC Motors

- Standard Motor
- Quiet Motor

Controls

- 110-120V Wall Switch for Single Shade Control
- Low Voltage and/or Multiple Shade Control*

Please see Draper's IntelliFlex Controls Reference Sheet and IntelliFlex® Control System Planning Sheet to design a control solution for this product. The forms are available at www.draperinc.com, or by contacting Draper.

Radio Technology Motors

- 110-120V AC Radio Technology Motor
- 110-120V AC Radio Technology Quiet Motor

Controls

- Altus RF
 - 1-Channel Transmitter
 - 4-Channel Transmitter
 - 5-Channel Transmitter with scroll wheel
 - Dry Contact Interface
 - Single Motor Sun Sensor (Circle one: White/Ivory)
- Wireless Wall Switch
 - 1-Channel (Circle one: White/Ivory)
 - 4-Channel (Circle one: White/Ivory)
 - Chronis 1-Channel with 24-hour Timer
- Multi-Link Universal RTS Interface (5-channel)
- Multi-Link RS232 to RTS Interface (16-channel)

Intelligent Technology (ILT) 110-120V Motors

- Standard ILT 110-120V Motor
- Quiet ILT 110-120V

Controls

- 1-Channel RF Transmitter
- 4-Channel RF Transmitter
- 5-Channel RF Transmitter with Scroll Wheel
- 1-Channel IR Transmitter
- Wireless Wall Switch

Select Fabric

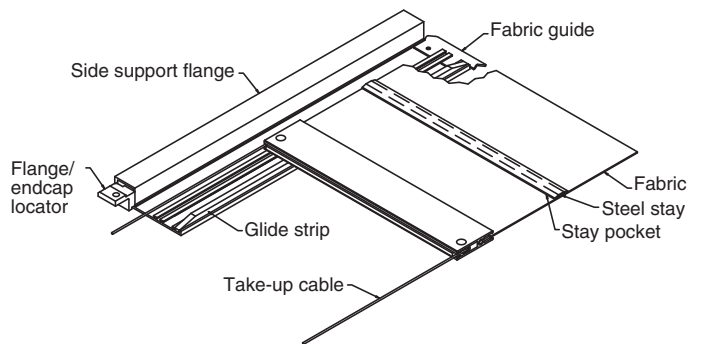
Indicate color name & no.

- "E" Screen from Mermet _____
- "M" Screen from Mermet _____
- SheerWeave® SW2000/2100 _____
- SheerWeave® SW2400/2500/2600/2900 _____
- SheerWeave® SW3000 _____
- Soltis 99® by Ferarri _____
- SunBloc SB9000 _____
- SunBloc SB9100 _____
- "T" Screen from Mermet _____

*Please see Draper's Shade Fabric Reference Sheet for fabric colors and specifications.

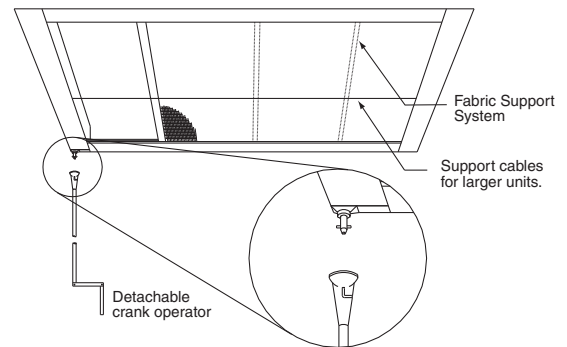
Maximum SkyLight FlexShade size is 6' wide x 8' high. If larger size is required, contact Draper.

Fabric Support System Details



With outside mount installation, separate header bars must be attached at both ends to house the support cable system. With outside mount installation, fabric stay pockets are visible from inside the room on all sizes of SkyLight FlexShades (refer to drawings on page 1).

Support Cable Details



Units between 36" wide and 72" wide (outside measure) require 1 support cable. Cables may also be used at Draper's discretion. Cables are 3/16" diameter vinyl clad aircraft cable. The cables are visible from inside the room at all times.

DRAPER®

411 S. Pearl St., Spiceland, IN 47385 USA ■ 765-987-7999
www.draperinc.com ■ fax 765-987-7142

Copyright © 2012 Draper Inc. Form SkyLightFlexShade_Sub12 Printed in U.S.A.

PROJECT: _____

ARCHITECT: _____

CONTRACTOR: _____

SUPPLIER: _____

DATE: _____ REVISED: _____

Specifications

Method Of Operation

Crank Operator: Gear box, of die cast aluminum and steel, has ratio of 1.7:1 or 3:1. Bidirectional to mount at either end of the roller. Never needs lubrication or adjustment. Crank handle assembly, of anodized aluminum and chrome plated steel, in overall operating lengths to 6', detachable. Crank roller insert of injection molded nylon and steel is installed in roller and engages to gear box. Maximum width 72"; maximum length 96".

Electric Operator: Drive unit inside roller, 4-wire, instantly reversible, lifetime lubricated. **Right hand motor location standard.** Left hand available. Adjustable limit switches, thermal overload protector and electric brake. Operates on 110-120V AC 1 PH 60 HZ current. Draws 1.1 Amps. For controls, see IntelliFlex® Controls Reference Sheet and IntelliFlex Controls Planning Sheet.

Quiet Electric Operator: Drive unit inside roller, 4-wire, instantly reversible, lifetime lubricated. **Right hand motor location standard.** Left hand available. Adjustable limit switches, thermal overload protector and electric brake. Operates on 110-120V AC 1 PH 60 HZ current. Draws 1.1 Amps. Operates at or below sound level of 44 Db. For controls, see IntelliFlex® Controls Reference Sheet and IntelliFlex Controls Planning Sheet. Call Draper for size limitations when using quiet motors.

RTS Electric Operator: Drive unit inside roller, 3-wire, instantly reversible, lifetime lubricated. **Right hand motor location standard.** Left hand available. Built-in radio receiver. Limit switches adjustable using wall switch or remote control. Thermal overload protector and electric brake. Operates on 110-120V AC 1 PH 60 HZ current. Draws 1.1 Amps. Operates at or below sound level of 44 Db. Call Draper for size limitations when using quiet motors.

ILT Electric Operator: Drive unit inside roller, 3-wire, instantly reversible, lifetime lubricated. **Right hand motor location standard.** Left hand available. Built-in encoder and low voltage controller with data cable. Limit switches adjustable using wall switch or remote control. Thermal overload protector and electric brake. Operates on 110-120V AC 1 PH 60 HZ current. Draws 1.1 Amps.

Quiet ILT Electric Operator: Drive unit inside roller, 3-wire, instantly reversible, lifetime lubricated. **Right hand motor location standard.** Left hand available. Built-in encoder and low voltage controller with data cable. Limit switches adjustable using wall switch or remote control. Thermal overload protector and electric brake. Operates on 110-120V AC 1 PH 60 HZ current. Draws 1.1 Amps. Operates at or below sound level of 44 Db. Call Draper for size limitations when using quiet motors.

Hardware

Rollers: Motorized roller size 2" dia. x .080 wall, in extruded aluminum. Spring take-up roller size 1 3/4", institutional quality, with heavy-duty springs, mounted on one-piece electro-galvanized steel roller. Roller assembly easily removable.

Roller Idler Assembly: Injection molded plastic containing a spring-loaded steel pin for easy installation and removal of the roller.

Endcaps: 1018 steel stamping: 3 1/4" x 3 3/4". Complete with adapter roller bracket. Endcaps used for mounting of each headbox (enclosure). Accepts box covers and fabric guides. **Clear Anodized (standard)**, black, white, ivory, or charcoal bronze finish available.

Operator and Take-up Enclosures, Side Support Flanges & Slat Bar: 6063-T5 aluminum custom extruded shapes, .060 wall. **Silver (standard)**, black, white, ivory, or charcoal bronze finish available. All contain grooves to accept light seal elements. **Operator and Take-up Enclosures** consist of an L-shaped back/top and an L-shaped front/bottom.

Side Support Flange consists of two sections. One section contains grooves for the fabric guide, and a groove for the glide strip, which supports the slat bar, fabric and stays. The second section contains the flange/endcap locators. Outside mounts require plastic cover buttons.

Flange/Endcap Locator: Type 6 injection molded nylon. Aligns side support flange and endcap.

Slat Bar provides an attachment point for the shade fabric and for the cable idler bearings. The idler bearings provide self-adjusting equalization of the cable tension at each end of the slat bar.

Take-up Cable: 3/64" stainless steel, nylon coated, with a minimum breaking strength of 220 lbs. (100 kg); never visible during operation.

Take-up Reel: 1/16" thick, machined 6061-T6 aluminum assures that take-up cable remains in proper alignment.

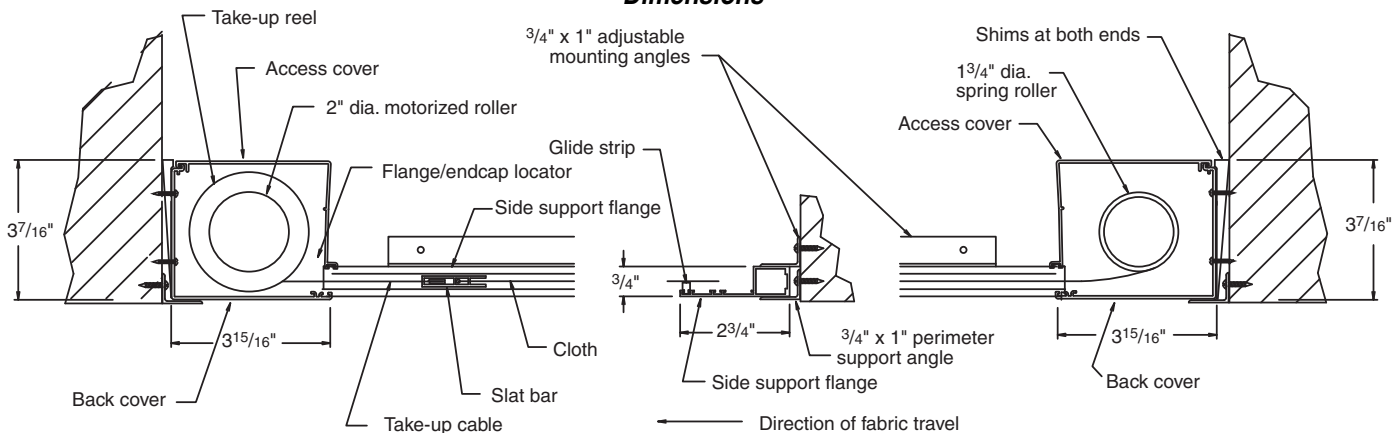
Fabric Guide: Plated steel. Forms a transition for the fabric as it rolls into the channels, reducing friction.

Opacity Plates: 1018 steel with a rubber "O" ring. Installed on the endcaps of the roller box to eliminate light leakage.

Fabric Support System: Horizontal steel stays are installed at regular intervals and covered. This system enables the shade to withstand reasonable air pressure differentials and gravity. Please note: Extreme air currents or physical interference may cause product failure.

Support Cable(s): .062" dia. stranded steel cable with clear vinyl coating. One end attached at operator enclosure, other end at take-up enclosure, spaced at 21" to 36" intervals. Attachment brackets: 1018 welded steel zinc plated. Turnbuckles are combination of die-cast aluminum and steel. *Units between 36" wide and 72" wide (outside measure) require 1 support cable. Cables may also be used at Draper's discretion.*

Dimensions



(Inside Mount Installation shown)

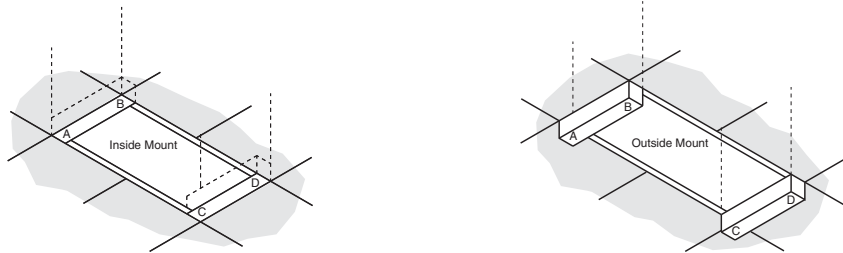
Downloadable 3-part specifications are available at www.draperinc.com.

Installation



Operator Locations

Choose location A, B, C or D. For motorized units, Draper standardly supplies 6' motor lead wire. Indicate additional lead if required, up to 16' total.



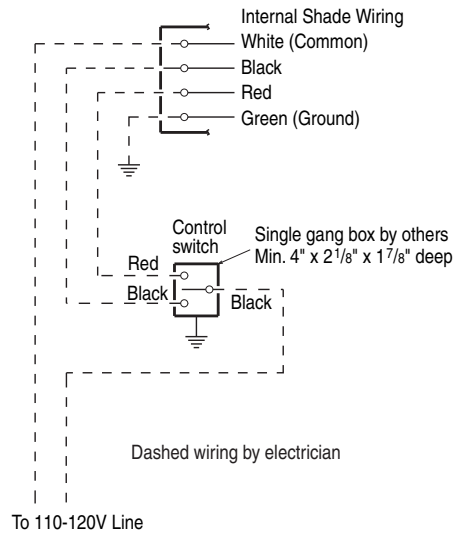
	Minimum Shade Width	
	Outside Measure	Inside Measure
1 1/2" Spring-Roller	28-5/8"	29-3/8"
1 3/4" Spring-Roller	34-3/8"	35-1/8"
2 1/4" Spring-Roller	48-3/4"	49-1/2"

	Maximum
	Shade Length
1 1/2" Spring-Roller	96"
1 3/4" Spring-Roller	96"
2 1/4" Spring-Roller	96"

Maximum SkyLight FlexShade size is 6' wide x 8' high. If larger size is required, contact Draper.

Single Shade Wiring Diagram

For multiple shade or low voltage wiring consult diagrams provided with control.



NOTE: Test shade operation. If shade direction does not correspond with the switch orientation, turn power back off and switch the red and black wires from the motor to the switch.