

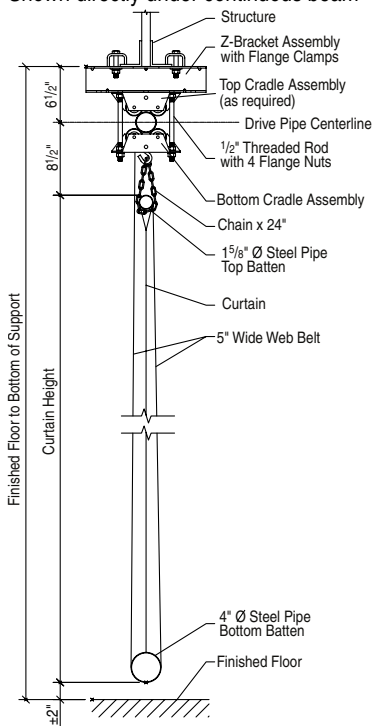
Roll Up Divider

Electrically Operated Gym Divider Curtain



Section Drawing

Shown directly under continuous beam



Part of the Draper EcoVision™ range of products

Specifications—Roll-Up Gym Divider

Gym Divider as shown on plans shall be Roll-Up as manufactured by Draper, Inc., Spiceland, IN. Bidder is responsible for verification of job conditions and dimensions.

Lower section of curtain shall be solid vinyl coated polyester (avg. 18 oz. or 22 oz. per square yard as required). Flammability rated as self extinguishing by the California State Fire Code and Class A Rated in accordance with requirements of NFPA-101. All seams to be electronically welded with 1" full contact weld. Outer edge hems shall be turned and welded with 1" full contact weld. Curtain shall be rolled on a 4" diameter round batten which is secured to the bottom edge of curtain with an aluminum stop strip.

Upper section of curtain shall be avg. 9 oz. per square yard vinyl coated polyester mesh. Flammability rated as self extinguishing by the California State Fire Code and Class A Rated in accordance with requirements of NFPA-101. Color shall be chosen from standard offering as specified by the owner. Use vinyl fabric, in triple thickness and double welded to the top edge of the mesh, to form a 6" wide pocket to accommodate a 1 5/8" diameter round batten for curtain support.

Draper 18 oz. Divider Curtain Vinyl and Divider Curtain Mesh has achieved GREENGUARD GOLD Certification. GREENGUARD Certified products are certified to GREENGUARD standards for low chemical emissions into indoor air during product usage. For more information, visit ul.com/gg. Suspension from roof support member must be accomplished with clamp type malleable or heavy gauge stamped lug fitting furnished by the manufacturer. Rolling action shall be achieved by belts being wound onto a rotating drive pipe. Hoist belts shall be 5" wide polyester webbing offering a high tensile strength per belt. Each belt is to be straight and true to insure proper wrapping of the belt onto the drive pipe. Belts shall be located maximum of 15" on center. Lift belts are attached to the drive pipe, travel under the bottom batten and terminate at the top batten. Drive pipe shall rotate in drive pipe support assembly, located maximum of 10' on center.

Drive pipe power mechanism shall consist of a 3/4 H.P., 110-120 volt, 60 cycle, single phase reversible capacitor motor with built-in thermal overload protection. The motor and load holding worm gear reducer shall provide speed reduction in the winch. Remote control operation to include integral limit switch to control the upper and lower limit of the curtain travel. Key lock, three position, momentary contact wall switch with safety delay included. Switch unit shall include a general purpose switch box wall plate. **Key switch or controls to be in full view of both sides of curtain during operation.**

Smart Gym Control System. See separate sheet for details.

Optional Wireless Remote Control. See separate sheet for details.

Please Mark Appropriate Selections

Select Solid Vinyl Weight and Color

Specify Height of Vinyl: _____

- 18 oz. (circle one)
- | | | | | |
|--------|-------------|--------------|-----------|--------|
| White | Marine Blue | Forest Green | Yellow | Orange |
| Purple | Black | Red | Dark Blue | Maroon |
| Beige | Grey | Navy | | |
- 22 oz. (circle one)
- | | | | | |
|-----|-----------|------|--|--|
| Red | Dark Blue | Grey | | |
|-----|-----------|------|--|--|

Select Mesh Color (circle one)

- | | | | | | |
|-------|-----|------|--------|-------|------|
| White | Red | Blue | Yellow | Black | Grey |
|-------|-----|------|--------|-------|------|

Specify Width

Opening Width: _____

Divider Curtain Width: _____

Specify Height

Height (floor to attachment): Low Point: _____ High Point: _____

Obstructions (clarify on page two in NOTES): _____

Building Structure in Relation to Curtain

- Directly under continuous beam
- Between two beams. Distance between the beams: _____
Distance between curtain and beam: _____
- Right Angle to beams. Spacing between beams: _____

Building Structure for Curtain Support

Beam flange width: _____

Beam flange thickness: _____

Options For Roll-Up Divider

- Wireless Remote Control (see separate sheet)
- Smart Gym Wall Touch Pad Control (see separate sheet)
- EZ Pad Group Control System (see separate sheet)
- EZ-Pad Plus Control System (see separate sheet)

LEED® Submittal Information

Credit	Measure	
MRC4 – Recycled Content	Post Consumer Average 23.48%	Post Industrial 0%
MRC5 – Regional Materials	Raw materials are commodity items with multiple sources so extraction point cannot be determined. Final manufacturing/assembly in Spiceland, IN 47385	

Considerations for Roll-Up Divider:

- Divider can be made any size up to 130' wide x 32' high, but cannot be cut out for bleachers. Allow more space for walking around ends of divider. Minimum 6" clearance is required between vertical edges and fixed objects.
- Stored dimension, from the bottom of beam to the bottom of the divider, shall be two feet or less with a direct attachment.

PROJECT: _____

ARCHITECT: _____

CONTRACTOR: _____

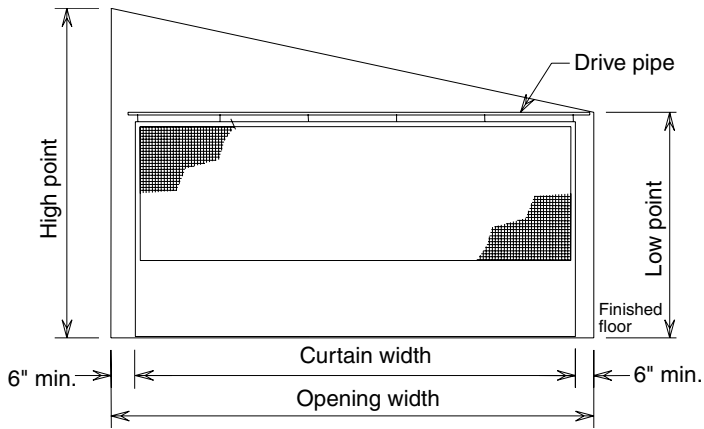
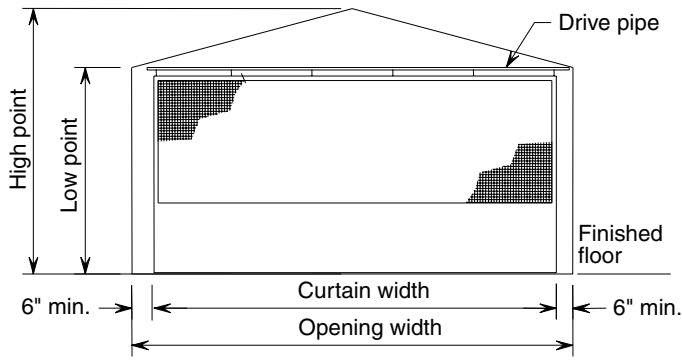
SUPPLIER: _____

DATE: _____ REVISED: _____



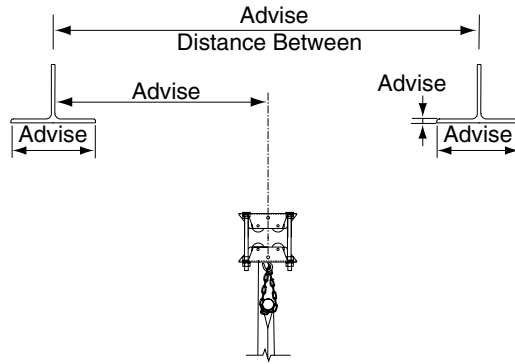
411 S. Pearl St., Spiceland, IN 47385 USA ■ 765-987-7999
www.draperinc.com ■ fax 765-987-7142

Height and width

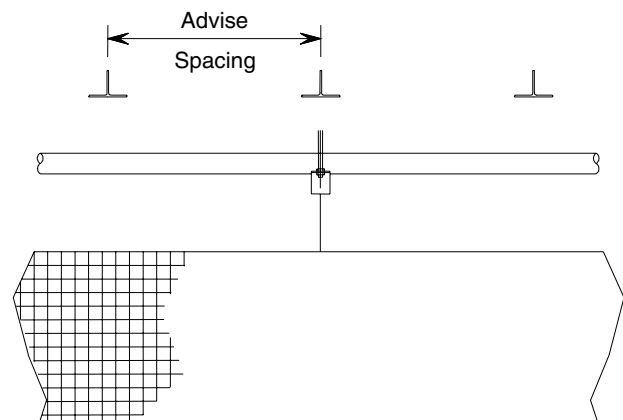


Structural relations

Between two beams

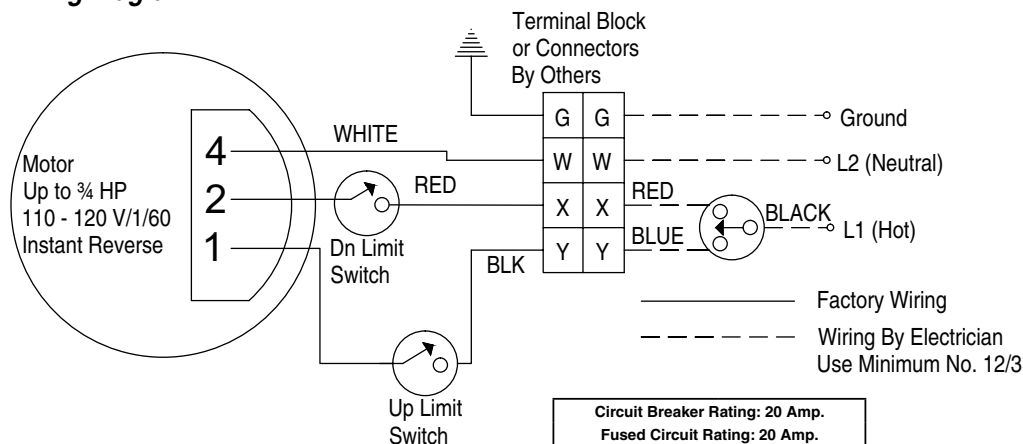


Right angle to beams



NOTES:

Wiring Diagram



Circuit Breaker Rating: 20 Amp.	
Fused Circuit Rating: 20 Amp.	
Full Load Amperage: 9.8 Amp	
Recommended Minimum Wire Size	
90' Maximum Run	12 AWG
91' to 140' Run	10 AWG
140' to 225' Run	8 AWG
Wire size recommendations based on 3/4 HP Motor, 3% voltage drop, copper wire and are calculated using standard wire size calculation methods	
Size of wall masonry boxes required for single and key switches All Boxes: 2" (w) x 3 3/4" (h) x 2 1/2" (d)	

Key Switch

