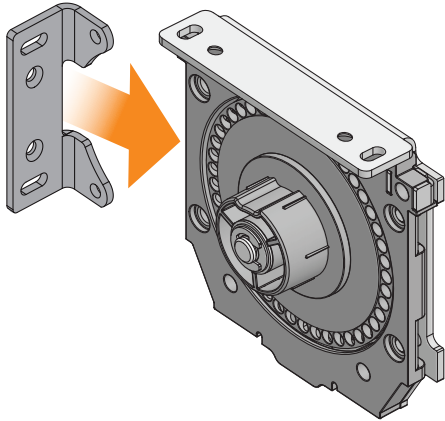


# Reverse Roll Fascia

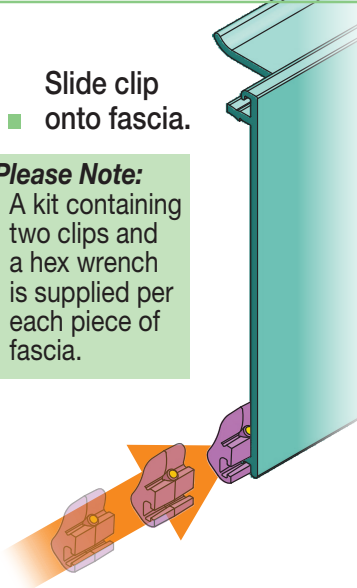
## INSTRUCTIONS INSTALLATION & OPERATION

**PLEASE NOTE FOR NEXD ENDCAPS:** If necessary, install mounting bracket on **Room Side** of Endcap. (Large NEXD Operator Endcap shown.)

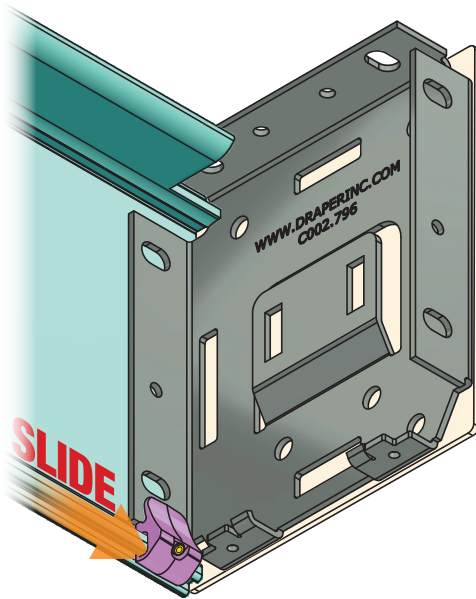
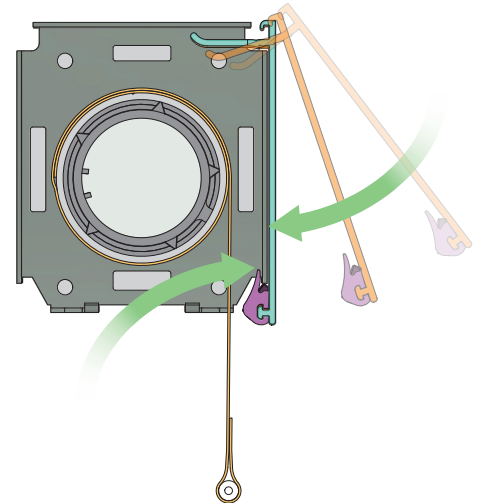


**1.** Slide clip onto fascia.

**Please Note:** A kit containing two clips and a hex wrench is supplied per each piece of fascia.

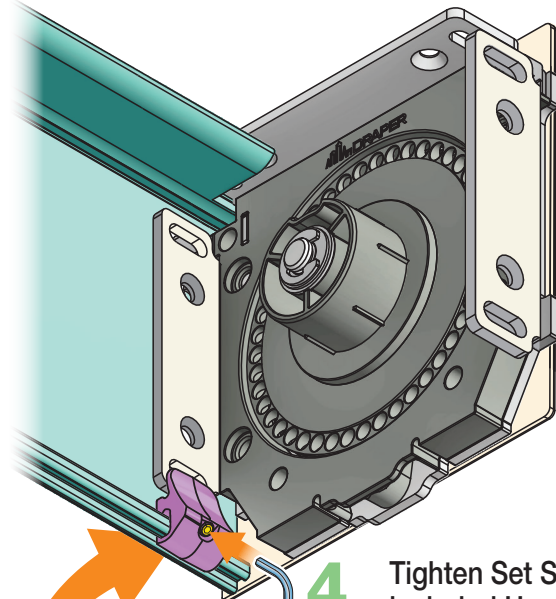


**2.** Hang fascia on room side of endcap. (Standard Large Idler Endcap shown.)



**3.** Slide Clip to end of fascia, ensuring that clip covers mounting bracket of endcaps. (Large Standard Idler Endcap shown.)

**IMPORTANT:** Apply pressure on the **room side** of fascia while tightening the set screw so that fascia is fastened securely to the bracket.



**4.** Tighten Set Screw with included Hex Wrench. (Large NEXD Operator Endcap shown.)

If you have any difficulties installing or servicing your Reverse Roll Fascia, call your dealer or Draper, Inc.