

# Motorized FlexStyle™ I/O AC

Motor operated open roll shade with low-profile decorative brackets

**SUBMITTAL**

**TECHNICAL INFO**

## FLEXSTYLE MO

Please check all appropriate selections and attach room schedule with verified dimensions.

Fabric Series: \_\_\_\_\_

Color Name / Number: \_\_\_\_\_

Openness Factor: \_\_\_\_\_

Please see [Draper® Fabric Options](#) for fabric colors and specifications.

### Select Motor and Idler Bracket Finish

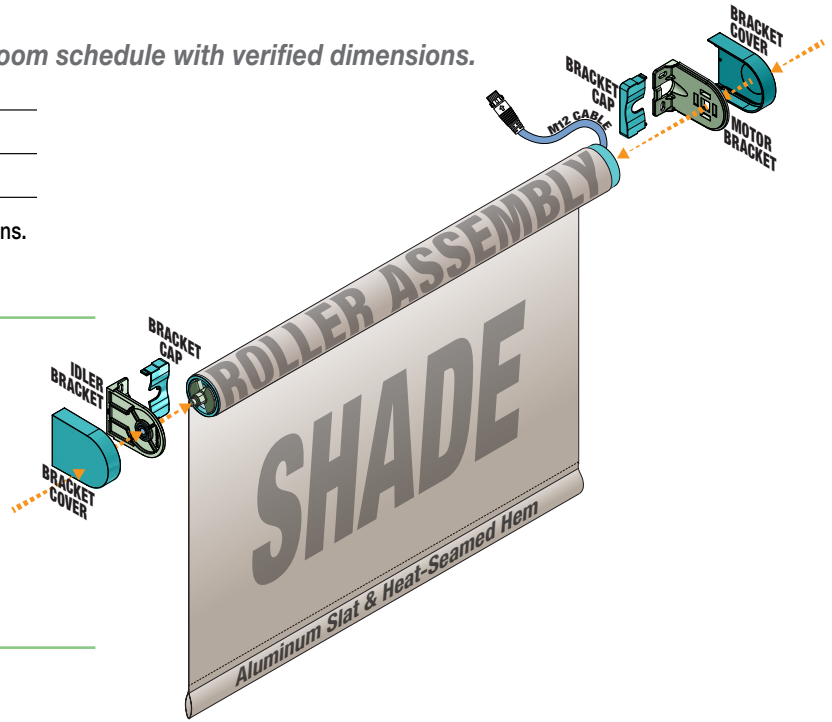
#### Plated Bracket Colors

- Brushed Nickel
- Brushed Gold
- Antique Bronze
- Chrome

#### Matte Painted Bracket Colors

- Black
- White
- Grey
- Taupe
- Warm White
- Grey Primer  
*(to be painted by others)*

**Please Note:** If Painted Bracket and Exposed Hem Bar are selected, Hem Bar finish is automatically matched to bracket color.



### Select Hem Bar/Slat Style

- Open Pocket (1" Elliptical)
- Closed Pocket (1" Elliptical)
- Exposed Hem Bar
  - Small Flat Exposed Hem Bar
  - Large Flat Exposed Hem Bar
  - Round Exposed Hem Bar

#### Select Exposed Hem Bar color (For Plated Hardware ONLY)

##### SMOOTH COLORS:

- Matt Black
- Matt White
- Matt Grey
- Matt Taupe
- Matt Warm White
- Grey Primer  
*(to be painted by others)*
- Clear Anodized  
*(not painted)*

##### TEXTURED COLORS:

- Black
- White
- Ivory
- Bronze

### Select IntelliFlex™ I/O Control Options

Number of Motors: \_\_\_\_\_

Number of Single Zone

Wall Switches (C112.161): \_\_\_\_\_

Number of Dual Zone

Wall Switches (C112.162): \_\_\_\_\_

Number of Handheld

Remotes (C156.270): \_\_\_\_\_

*(A Wireless Network Gateway is required to use Remote.)*

Number of AV

Gateways (C156.269): \_\_\_\_\_

Number of Contact

Closure Interfaces (C156.273): \_\_\_\_\_

Number of Extra Network

Device Connectors (NDCs): \_\_\_\_\_

*(NDCs included with each motor and I/O network component that requires an NDC.)*

#### Include Low Voltage Network Cables?

- Yes
- 5' (91cm) (C107.100)  
Quantity: \_\_\_\_\_
- 11' (182cm) (C107.101)  
Quantity: \_\_\_\_\_
- 17' (366cm) (C107.102)  
Quantity: \_\_\_\_\_
- 23' (762cm) (C107.103)  
Quantity: \_\_\_\_\_
- 50' (1524cm) (C107.104)  
Quantity: \_\_\_\_\_

No

#### Include Commissioning Tools?

- Yes
- Motor Limit Tool  
(C202.030) Quantity: \_\_\_\_\_
- No

### Available Sizes:

WIDTH:	2'	3'	4'	5'	6'	7'	8'
HEIGHT							
2'							
3'							
4'							
5'							
6'							
7'							
8'							
9'							
10'							

\* Sizes requiring large endcaps/brackets will vary according to fabric.

#### Please Note:

For more information about operators and controls, see installation instructions.

PROJECT: \_\_\_\_\_

ARCHITECT: \_\_\_\_\_

CONTRACTOR: \_\_\_\_\_

SUPPLIER: \_\_\_\_\_

DATE: \_\_\_\_\_ REVISED: \_\_\_\_\_



Draper, Inc. | 411 S. Pearl St. Spiceland, IN 47385  
draperinc.com | 765.987.7999 | 800.238.7999

© 2023 All Rights Reserved | FORM: IO\_FlexStyle\_Sub23-R

## Specifications

**DRIVE UNIT:** Inside roller, 3-wire, instantly reversible, lifetime lubricated. Right hand or left hand operation selectable during programming. Adjustable electronic limit switches, thermal overload protector and electric brake. Operates on 110-120V AC 1 PH 60 HZ current. Draws 1.0 Amps. Sound level  $\leq$  42 dBA.

**MOTOR LIMIT TOOL** (C202.047): Used to program the limits, operating direction and preset stops for individual or networks of Draper® intelligent motors.

**NETWORK DEVICE CONNECTOR** (C156.267): Used to connect IntelliFlex™ I/O devices into a network. Distributes both power and communications between devices.

**WIRED WALL SWITCH** (SINGLE ZONE - C112.161; DUAL ZONE - C112.162): Intelligent low voltage control device providing in-wall user interface. Communicates directly with intelligent motors. Uses priority based command structure which allows multiple switches to have different levels of authority.

**WIRELESS REMOTE** (C156.270): Display allows up to 32 channels. Touch control to position shades. Can be used as a simple commissioning tool.

**WIRELESS NETWORK GATEWAY** (C156.268): Required to use the wireless remote in a wired network.

**A/V GATEWAY** (C156.269): Used to integrate with 3rd party control systems. Supports RS-232 and RS-485. Contact closure inputs. Low voltage trigger. IR receiver input. LCD display allows for commissioning of serial groups.

**CONTACT CLOSURE INTERFACE** (C156.273): Used to connect simple switches or other contact closure devices into the network. Up to 6 contacts. Push buttons for commissioning.

### MOUNTING BRACKETS

**BRACKETS:** Made of .080 die cast aluminum. Can be wall or ceiling mounted. No exposed fasteners.

**FINISHES AVAILABLE:** Black, Bronze Plated, Brushed Gold Plated, Brushed Nickel Plated, Chrome Plated, Grey, Taupe, White, Warm White, Grey Primer.

**ROLLER:** Fabricated from extruded aluminum or steel. Wall thickness and material

selected by manufacturer to accommodate shade size. Provide with roller spring loaded sliding idler assembly of molded nylon. Spring Loaded nylon pin set into ball bearing of idler bracket to allow easy installation and removal of roller. Fabric connected to the roller tube with LSE (*low surface energy*) double sided adhesive specifically developed to attach coated textiles to metal. Adhesive attachment to eliminate horizontal impressions in fabric.

### HEM BAR:

**CLOSED POCKET ELLIPTICAL SLAT:** 1 inch (25mm) aluminum elliptical slat inside of a 1 1/8 inch (41mm) pocket with heat sealed ends.

**OPEN POCKET ELLIPTICAL SLAT:** 1 inch (25mm) aluminum elliptical slat with plastic ends inside of a 1 1/8 inch (41mm) pocket.

**FLAT EXPOSED HEM BAR:** Small: 7/8 inch x 3/8 inch (22mm x 8mm) aluminum rectangular hem bar with plastic end caps.

**LARGE EXPOSED HEM BAR:** 1 1/2 inch x 3/8 inch (38mm x 8mm) aluminum rectangular hem bar with plastic end caps.

**ROUND EXPOSED HEM BAR:** Small 3/8 inch (16mm) and Large 13/16 inch (21mm) aluminum with plastic end caps.

**NO SLAT.**

### DOWNLOADABLE 3-PART SPECIFICATIONS:

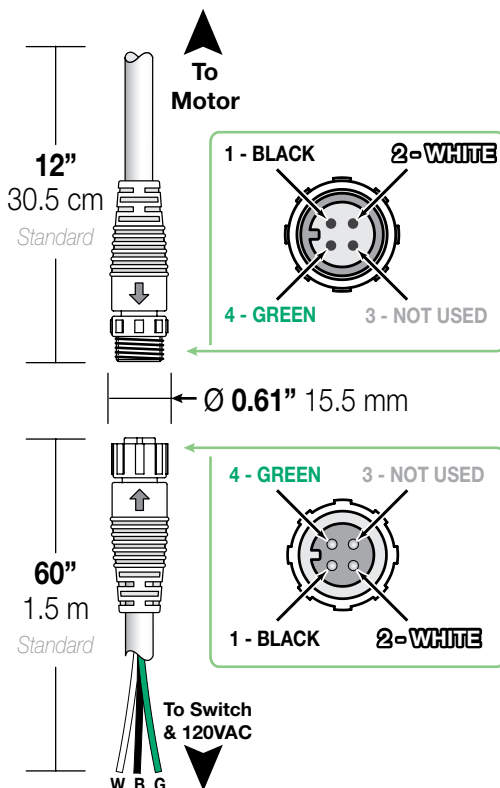
[www.draperinc.com](http://www.draperinc.com)

**Please note:**

Dimensions of rollers, operators, and hardware at manufacturer's discretion.

## Wiring Diagrams

### M12 Connector for 3-Wire Motors



### M12 -

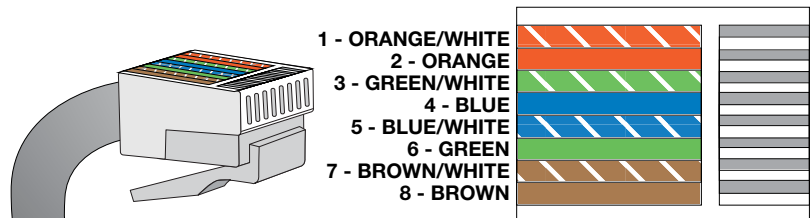
5' (152.4cm) (C107.100)

11' (335cm) (C107.101)

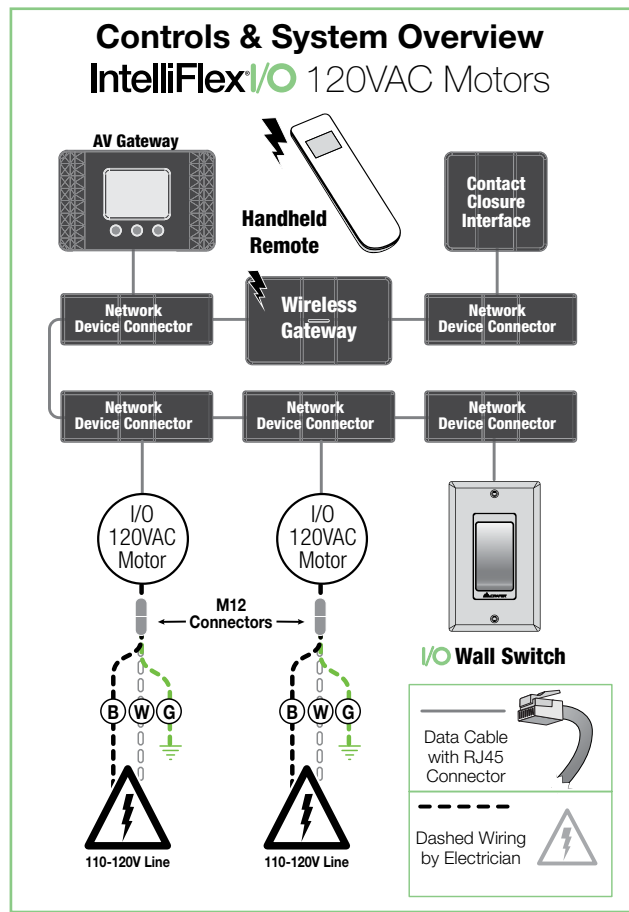
17' (518cm) (C107.102)

23' (701cm) (C107.103)

### Data Cable Pin-Out - RJ45 Connector



**WARNING: DO NOT use Pass-Through Connectors!**

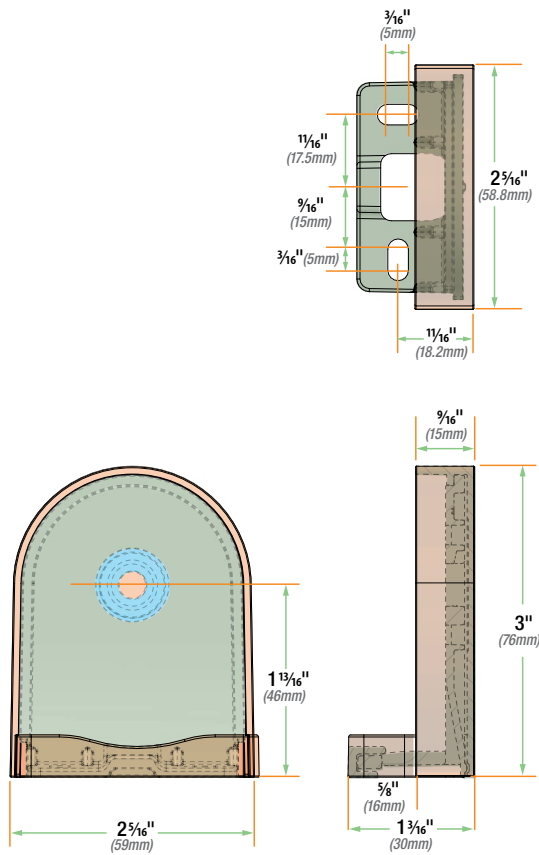


## Shade Dimensions

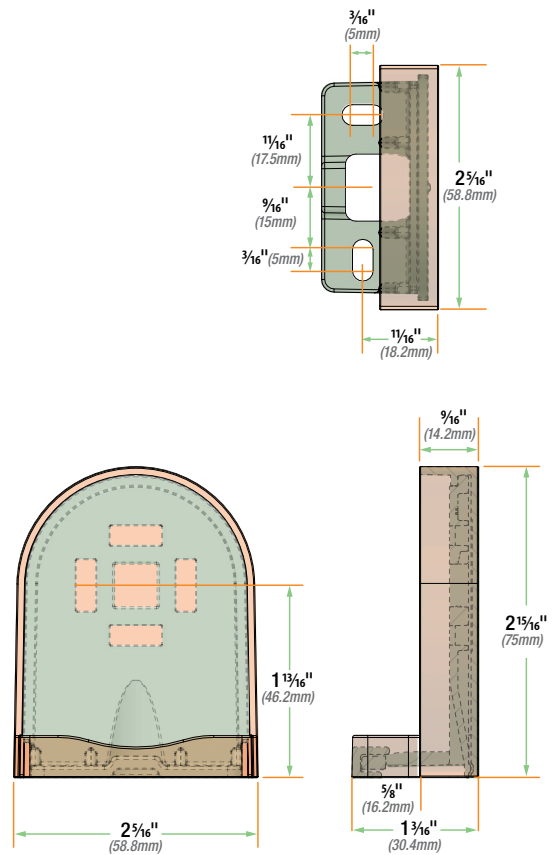


## Bracket Dimensions

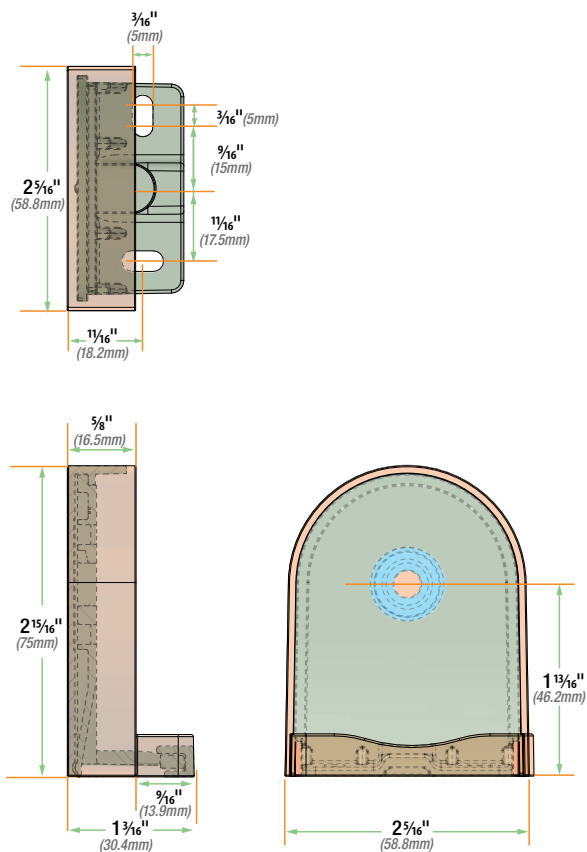
C002.1821 (Idler End, Standard)



C002.1819 (Motor End, Standard)



C002.1822 (Idler End, Extended)



C002.1820 (Motor End, Extended)

