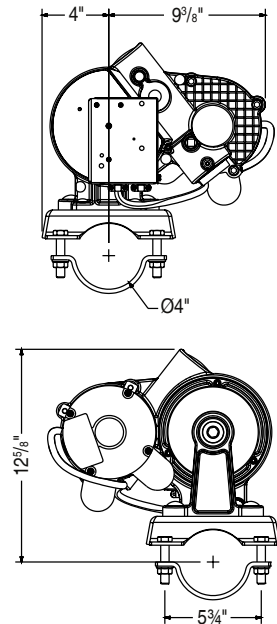
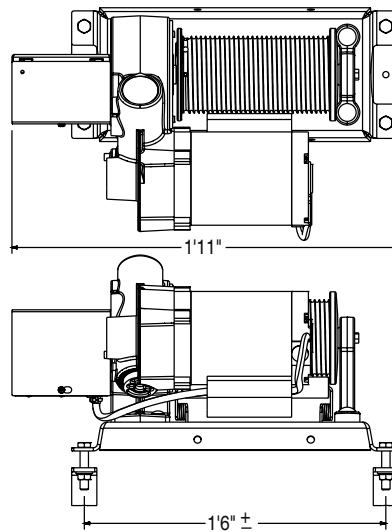


BASKETBALL ACCESSORIES ELECTRIC WINCHES

WITH AND WITHOUT KEY SWITCHES, AND HIGH VOLTAGE



■ The standard operator for Draper and other basketball backstops, the Electric Winch features a $\frac{3}{4}$ HP, 115V, single phase, instant reverse motor with thermal overload protection. Delivering 1,250 lb (567 kg) of vertical line pull, it is designed to hold the backstop at any position, when raising or lowering it. The cable drum is helically grooved for $\frac{1}{4}$ " (6 mm), 7 x 19 aircraft cable. Grooves provide proper spooling of the cable and ensure excellent repeatability of stop positions. Equipped with pressure roller and torsion spring tensioning, the drum ensures that even under slack cable conditions, the cable tracks in the grooves. This direct drive winch has a double worm reduction system and sealed oil bath for extreme durability.

WITH KEY SWITCH FEATURES: 503285



- Motor rated at an intermittent 10-minute duty cycle and operates at a full load amperage rating of 11.5 full load amps.
- Automatic limit switches control the distance of travel in either direction.
- Direct drive winch has a double worm reduction system and sealed oil bath.
- Includes 3-position momentary key switch and cover plate.
- UL Listed.
- Five-year warranty.

WITHOUT KEY SWITCH FEATURES: 503280



- Motor rated at an intermittent 10-minute duty cycle and operates at a full load amperage rating of 11.5 full load amps.
- Automatic limit switches control the distance of travel in either direction.
- Direct drive winch has a double worm reduction system and sealed oil bath.
- UL Listed.
- Five-year warranty.

SUPPORTING DOCUMENTS

Access dimensions, specifications, instructions, technical drawings and other supporting documents located at: draperinc.com/documents.aspx

HIGH VOLTAGE FEATURES: 503283 / 503288

- **A $\frac{3}{4}$ HP, 220V**, single phase, instant reverse motor with thermal overload protection.
- Choose from 60Hz for domestic projects or 50Hz for international installations.
- Large 4- $\frac{1}{2}$ " (114 mm) diameter cable drum is helically grooved for $\frac{1}{4}$ " (6 mm), 7 x 19 aircraft cable. Grooves provide proper spooling of the cable and ensure excellent repeatability of stop positions.
- Automatic limit switches control the distance of travel in either direction.
- Direct drive winch has a double worm reduction system and sealed oil bath.
- Five-year warranty.

For more information on this product visit:

draperinc.com/gymequipment/basketballaccessories.aspx