

Acumen® M

Manually-operated wall-mounted projection screen

Please check all appropriate selections and attach room schedule with verified dimensions.

Specifications

QUANTITY: _____ **SIZE:** _____ h. x _____ w.

MANUAL OPERATOR: Spring roller. Pull cord attached to dowel. Optional removable aluminum operating pole available in 4' (122 cm) and 6' (183 cm) lengths.

CASE: Contoured case of 0.156" (3.9624 mm) thick, 9-gauge extruded aluminum. Removable front fascia conceals viewing surface that retracts completely inside the case. Case dimensions are 7-¹/₈ inches h x 5-⁷/₈ inches d (181 mm x 149 mm).

FINISH: White painted finish (standard). Black available.

ROLLER: 3" (76mm) dia. Metal roller with heavy-duty spring and mounted on zinc plated brackets with double row radial ball bearings. Roller/fabric assembly may be installed in case at factory or job site. Brackets supporting roller/fabric assembly slides in track inside the top of the case, allowing viewing surface to be centered in case regardless of screen size

VIEWING SURFACE: Flame and mildew resistant. Matt White XT1000E and Contrast Grey XH600E viewing surfaces are certified to GREENGUARD standards for low chemical emissions into indoor air during product usage. For more information, visit ul.com/gg.

MOUNTING BRACKETS: "Floating" steel brackets, Wall Mounting (standard) or Ceiling (optional) finished to match screen case.

PATENT INFORMATION:

<http://www.draperinc.com/legal/patents>

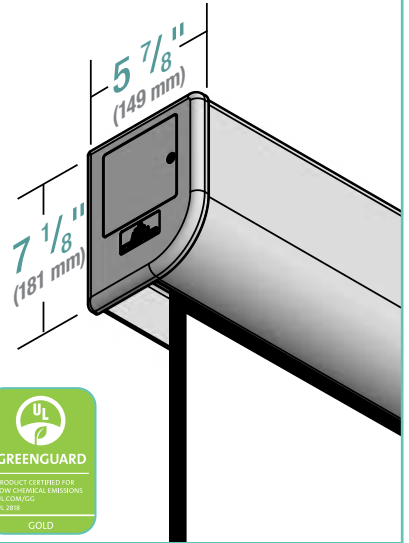
DOWNLOADABLE 3-PART SPECIFICATIONS:

www.draperinc.com/documents.aspx

Please note: Dimensions of rollers, operators, and hardware at manufacturer's discretion.

SUBMITTAL

TECHNICAL INFO



Select Viewing Surface:

OptiFlex (Self-Supporting Screen Surface)

- Matt White XT1000E
- Contrast Grey XH800E
- Pearl White CH1900E
- ClearSound White Weave XT900E
- ClearSound Grey Weave XH600E

Select Optional Accessories:

- Additional Drop _____ (Beyond standard 12")
- Total Drop _____ (Standard 12" + Additional drop)
 - Black (standard)
 - Same color as viewing surface
(Total screen height cannot exceed 12')

Select Mounting Method

- Wall (standard)
- Ceiling (optional)

Select Case Color

- White (standard)
- Black (optional)

Optional Accessories

- Aluminum Operating Pole
 - 4' (122cm) Long
 - 6' (183cm) Long
- Extra Drop
- Black (standard)
- Same color as viewing surface
- Length of Total Drop: _____

Please Note: Extra drop increases case and dowel length. Specify at time of order and contact Draper if dimension is critical.

Dimensions and Data

16:10 Format

Nominal Diagonal	Image Area	Overall Size	Case Length	Net Wt. (lbs.)	Qty.
94"	50" x 80"	62" x 83 1/2"	98 1/4"	71	
109"	57 1/2" x 92"	69 1/2" x 96"	110 3/4"	78	
113"	60" x 96"	72" x 100"	114 3/4"	81	
123"	65" x 104"	69" x 108"	122 3/4"	85	
137"	72 1/2" x 116"	76 1/2" x 120"	134 3/4"	94	
165"	87 1/2" x 140"	92 1/2" x 144"	154 5/8"	104	

16:9 HDTV Format

Nominal Diagonal	Image Area	Overall Size	Case Length	Net Wt. (lbs.)	Qty.
92"	45" x 80"	57" x 83 1/2"	98 1/4"	71	
100"	49" x 87"	61" x 91"	105 3/4"	75	
106"	52" x 92"	64" x 96"	110 3/4"	78	
110"	54" x 96"	66" x 100"	114 3/4"	80	
119"	58" x 104"	62" x 108"	122 3/4"	85	
133"	65" x 116"	69" x 120"	134 3/4"	93	
161"	79" x 140"	84" x 144"	154 5/8"	104	

Custom Size

--	--	--	--	--	--



Draper, Inc. | 411 S. Pearl St. Spiceland, IN 47385
 draperinc.com | 765.987.7999 | 800.238.7999
 © 2023 All Rights Reserved | FORM: AcumenM_Sub23

PROJECT: _____

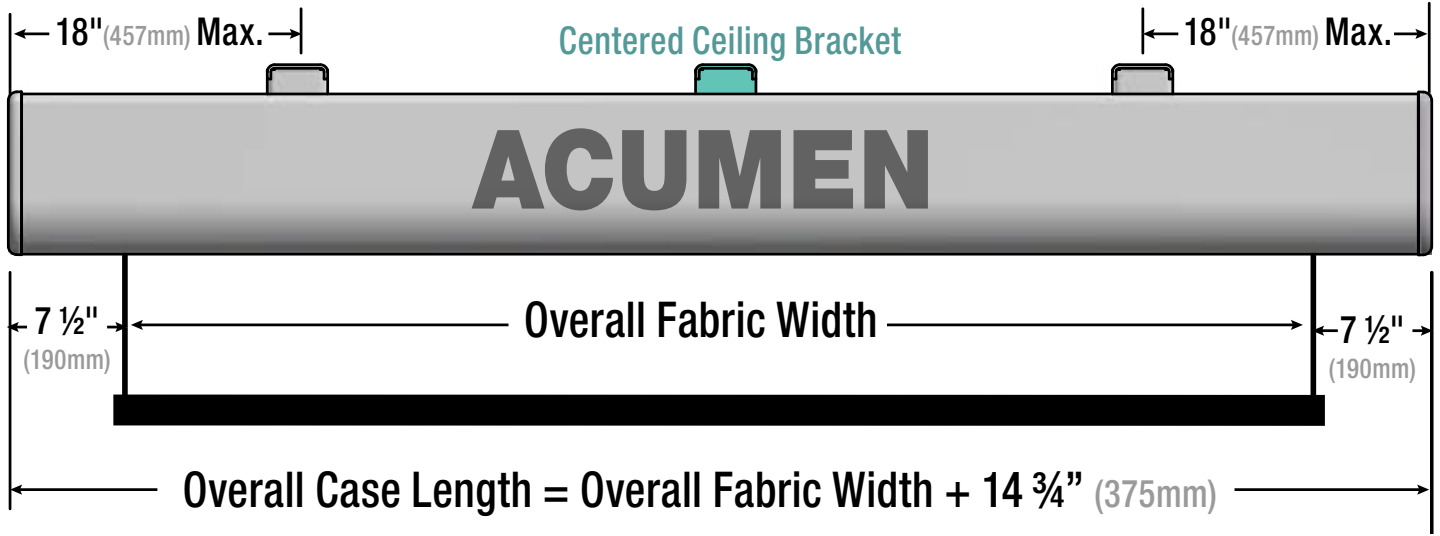
ARCHITECT: _____

CONTRACTOR: _____

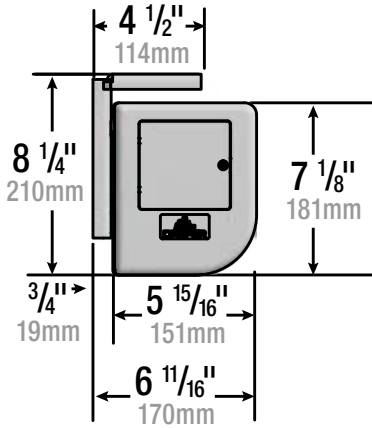
SUPPLIER: _____

DATE: _____ REVISED: _____

Case Dimensions



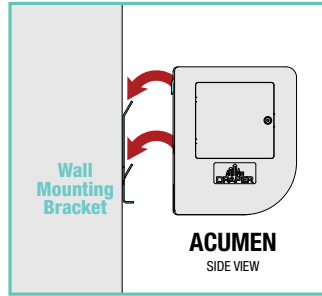
End of Case Dimensions



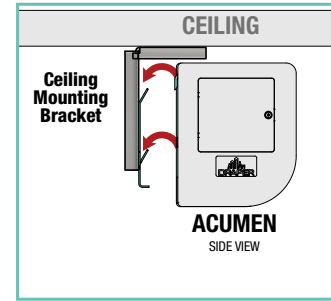
Methods of Installation

CAUTION: Product is very heavy: Installer must provide adequate attachment hardware and anchors as required. Installer must also ensure that wall or ceiling structure is of adequate strength.

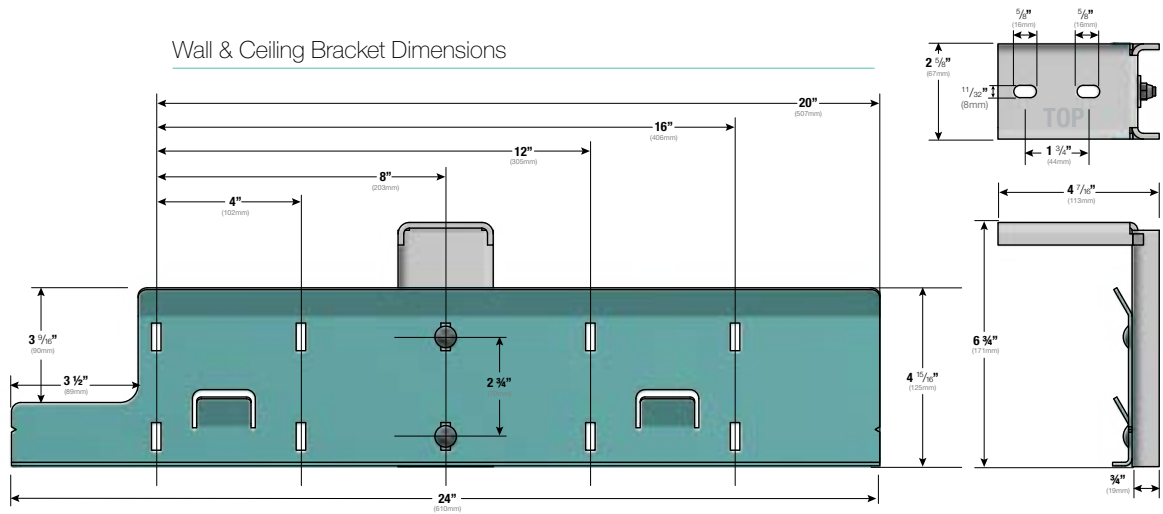
WALL MOUNTED



CEILING MOUNTED



Wall & Ceiling Bracket Dimensions



PROJECT: _____

ARCHITECT: _____

CONTRACTOR: _____

SUPPLIER: _____

DATE: _____ REVISED: _____